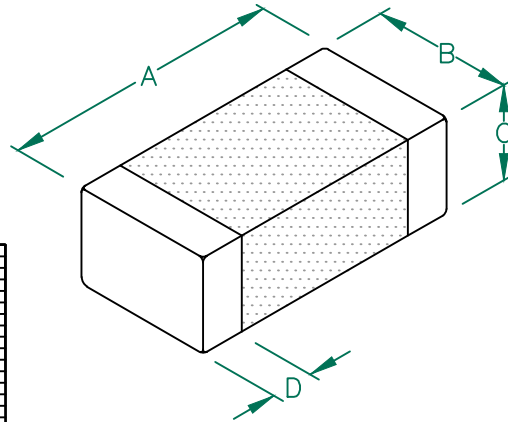


MI1206L501R-10

PHYSICAL DIMENSIONS:

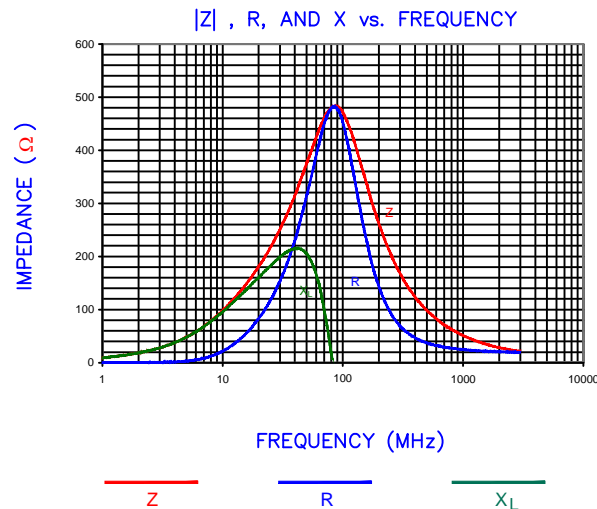
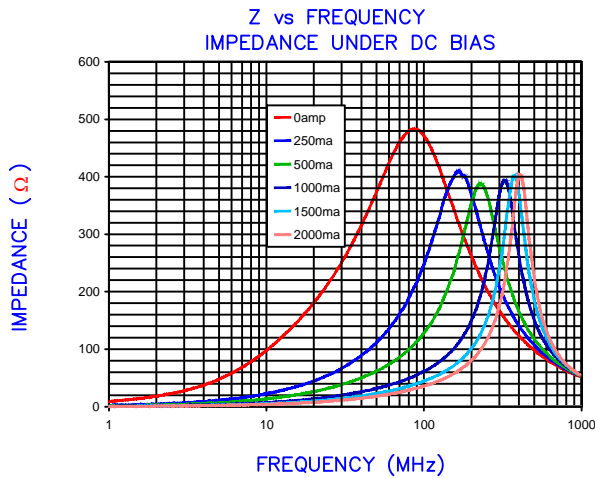
A	3.20 [.126]	+ 0.20 [.008]
B	1.60 [.063]	+ 0.20 [.008]
C	1.10 [.043]	+ 0.20 [.008]
D	0.51 [.020]	+ 0.25 [.010]



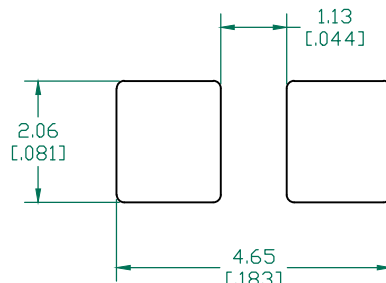
ELECTRICAL CHARACTERISTICS:		
Z @ 100MHz (Ω)	DCR (Ω)	Rated Current
Nominal	500	
Minimum	375	
Maximum	625	0.060
		2000 mA

NOTES: UNLESS OTHERWISE SPECIFIED

1. TAPED AND REELED per CURRENT EIA SPECIFICATIONS 7" REELS, 3000 PCS/REEL.
2. TERMINATION FINISH IS 100% TIN.
3. COMPONENTS SHOULD BE ADEQUATELY PREHEATED BEFORE SOLDERING.
4. OPERATING TEMP. RANGE: -40°C~+125°C. (INCLUDING SELF-HEATING)

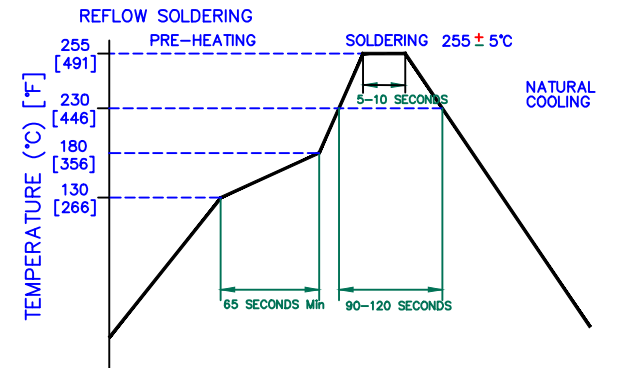


LAND PATTERNS FOR REFLOW SOLDERING



(For wave soldering, add 0.762 (.030) to this dimension)

RECOMMENDED SOLDERING CONDITIONS



RoHS

DIMENSIONS ARE IN mm [INCHES].				This print is the property of Laird Tech. and is loaned in confidence subject to return upon request and with the understanding that no copies shall be made without the written consent of Laird Tech. All rights to design or invention are reserved.		Laird	
E	UPDATE LAYOUT	06/07/16	QIU	PROJECT/PART NUMBER:	REV	PART TYPE:	DRAWN BY:
D	ADD ROHS UPDATE LAIRD LOGO AND REFLOW CURVE	08/05/13	QU	MI1206L501R-10	E	CO-FIRE	TMB
C	ADD OPERATING TEMPERATURE	06/23/11	WEI	DATE:	SCALE:	NTS	SHEET:
B	UPDATE COMPANY LOGO	08/25/08	JRK	03/26/04			
A	ORIGINAL DRAFT	03/26/04	TMB	CAD #	TOOL #		1 of 1
REV	DESCRIPTION	DATE	INT	MI1206L501R-10-E			