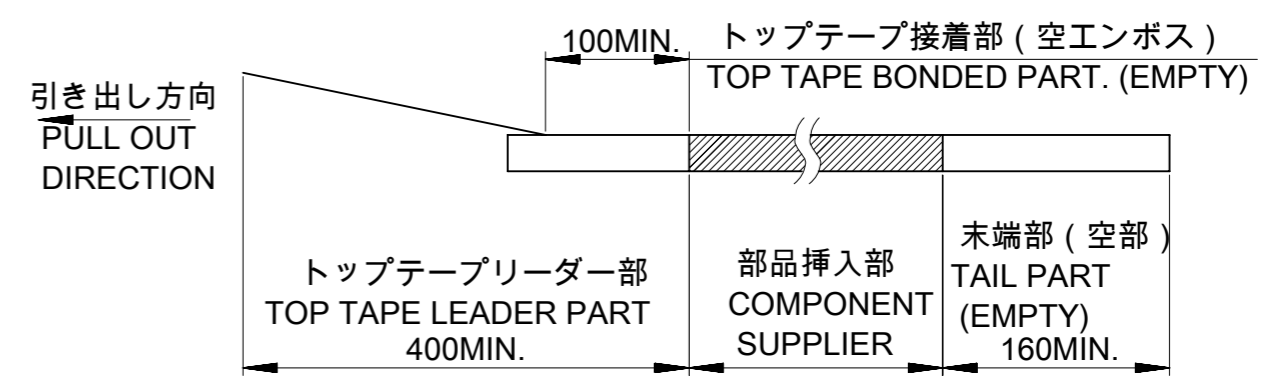


注記 NOTES

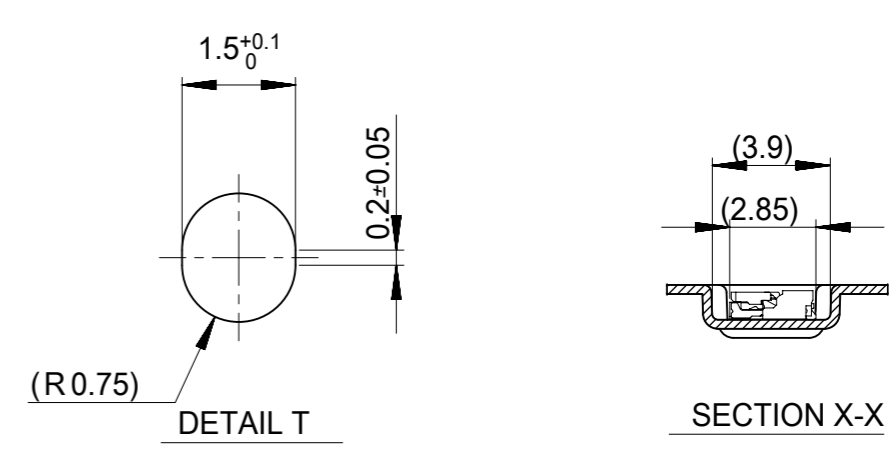
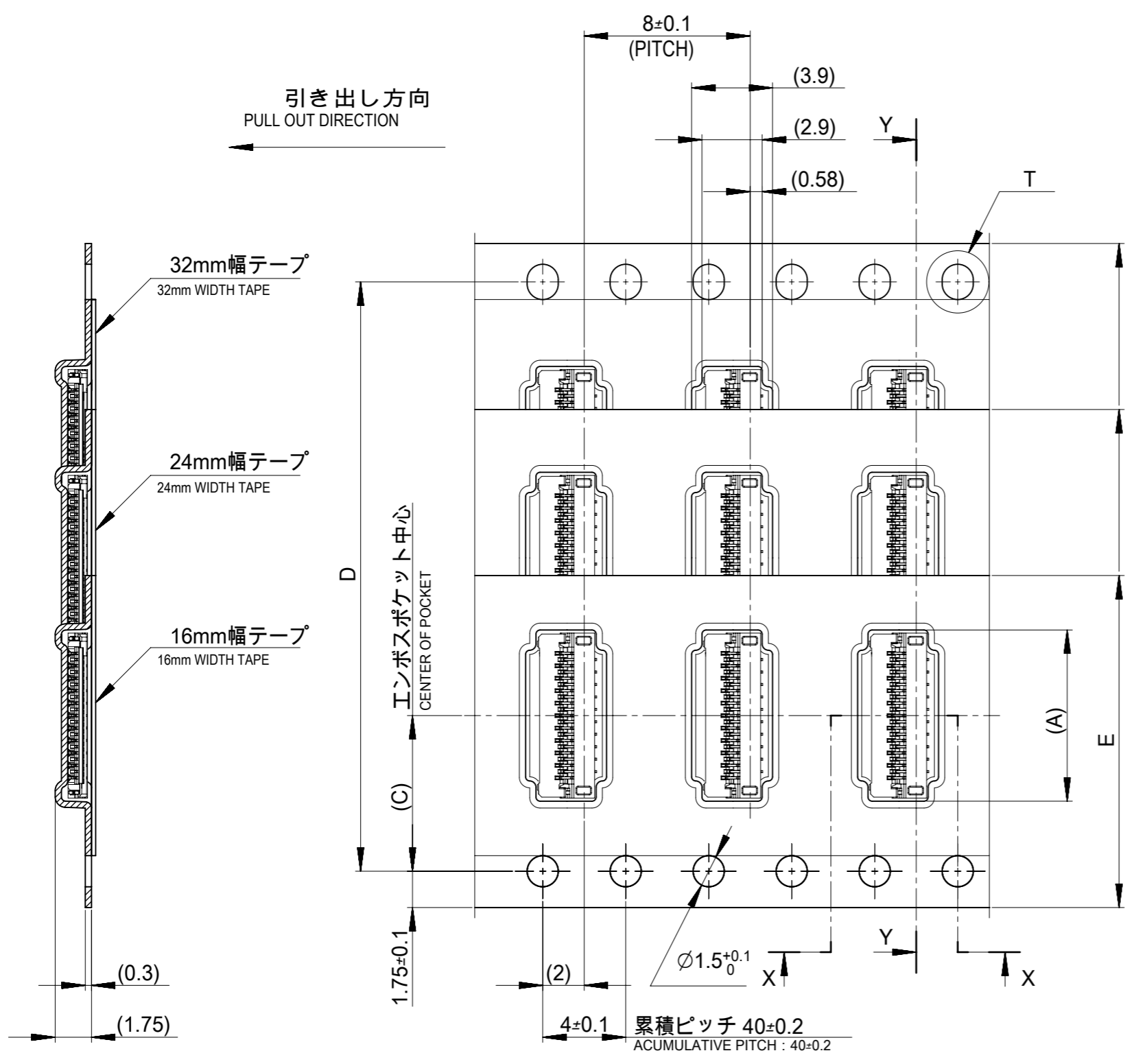
- 製品詳細寸法については製品単体図面を参考下さい。
DETAIL DIMENSIONS, SEE PRODUCT DRAWING.
- 梱包数量 : 6000個/リール
NUMBER OF CONNECTORS : 6000 PCS/REEL
- リードテープ長さ LEAD TAPE LENGTH



- 材料 MATERIAL
キャリアテープ (CARRIER TAPE) : ポリスチレン (POLYSTYRENE)
トップテープ (TOP TAPE) : PET, PE, PEF
リール (REEL) : ポリスチレン (PS) <リサイクル材を含む>
POLYSTYRENE (PS) <RECYCLE MATERIAL CONTAINED>
- トップテープの剥離強度については、IEC60286-3 に準拠
TOP TAPE PEEL FORCE IS DEFINED BY IEC60286-3.

THIS DRAWING CONTAINS INFORMATION THAT IS PROPRIETARY TO MOLEX ELECTRONIC TECHNOLOGIES, LLC AND SHOULD NOT BE USED WITHOUT WRITTEN PERMISSION

EC NO: 113200 DRWN: MNISHIKAWA CHK'D: KTAKAHASHI APPR: MSASAO	2016/12/22	2017/02/21	GENERAL TOLERANCES (UNLESS SPECIFIED) ANGULAR TOL ± ° 4 PLACES ± 3 PLACES ± 2 PLACES ± 1 PLACE ± 0 PLACES ±	DIMENSION UNITS	SCALE	
	MM	NTS				
	DRWN BY	DATE		MNISHIKAWA	2016/12/22	
	CHK'D BY	DATE		KTAKAHASHI	2017/02/21	
	APPR BY	DATE		MSASAO	2017/02/21	
	DRAWING SIZE	THIRD ANGLE PROJECTION		A3		
DRAFT WHERE APPLICABLE MUST REMAIN WITHIN DIMENSIONS						
PRODUCT CUSTOMER DRAWING		0.3 FPC CONN. E/O TAPING PACKAGE (503566-**08 SERIES)		SERIES: 503566 MATERIAL NUMBER: 5035660001 CUSTOMER: GENERAL		
DOCUMENT NUMBER: 5035660001		DOC TYPE: PSD DOC PART: 000		SHEET NUMBER: 1 OF 2		



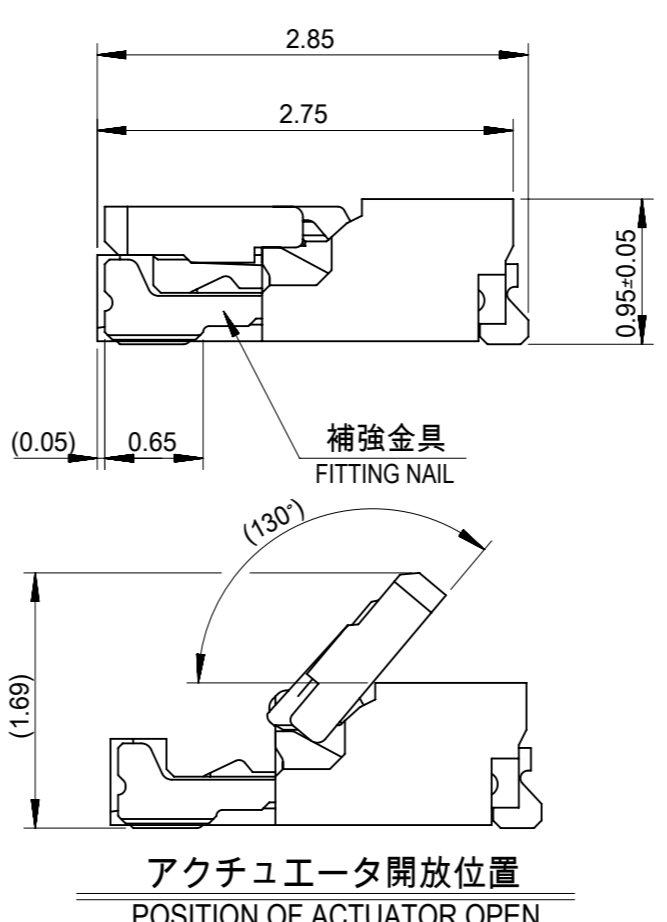
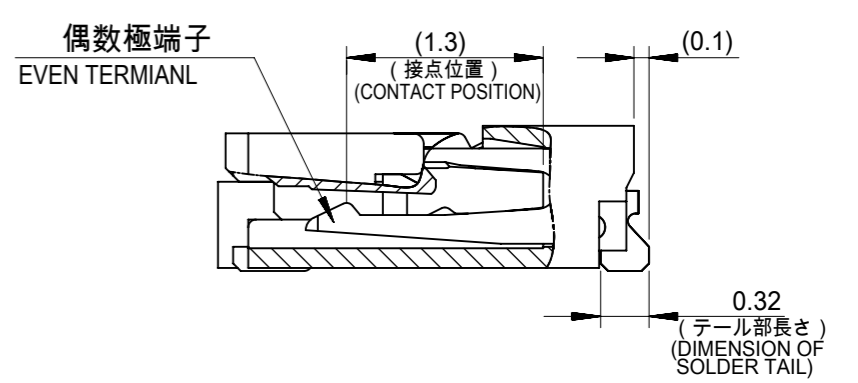
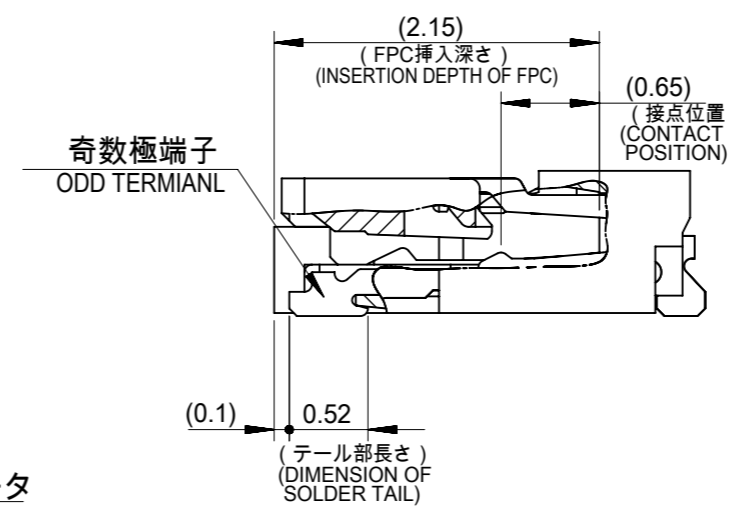
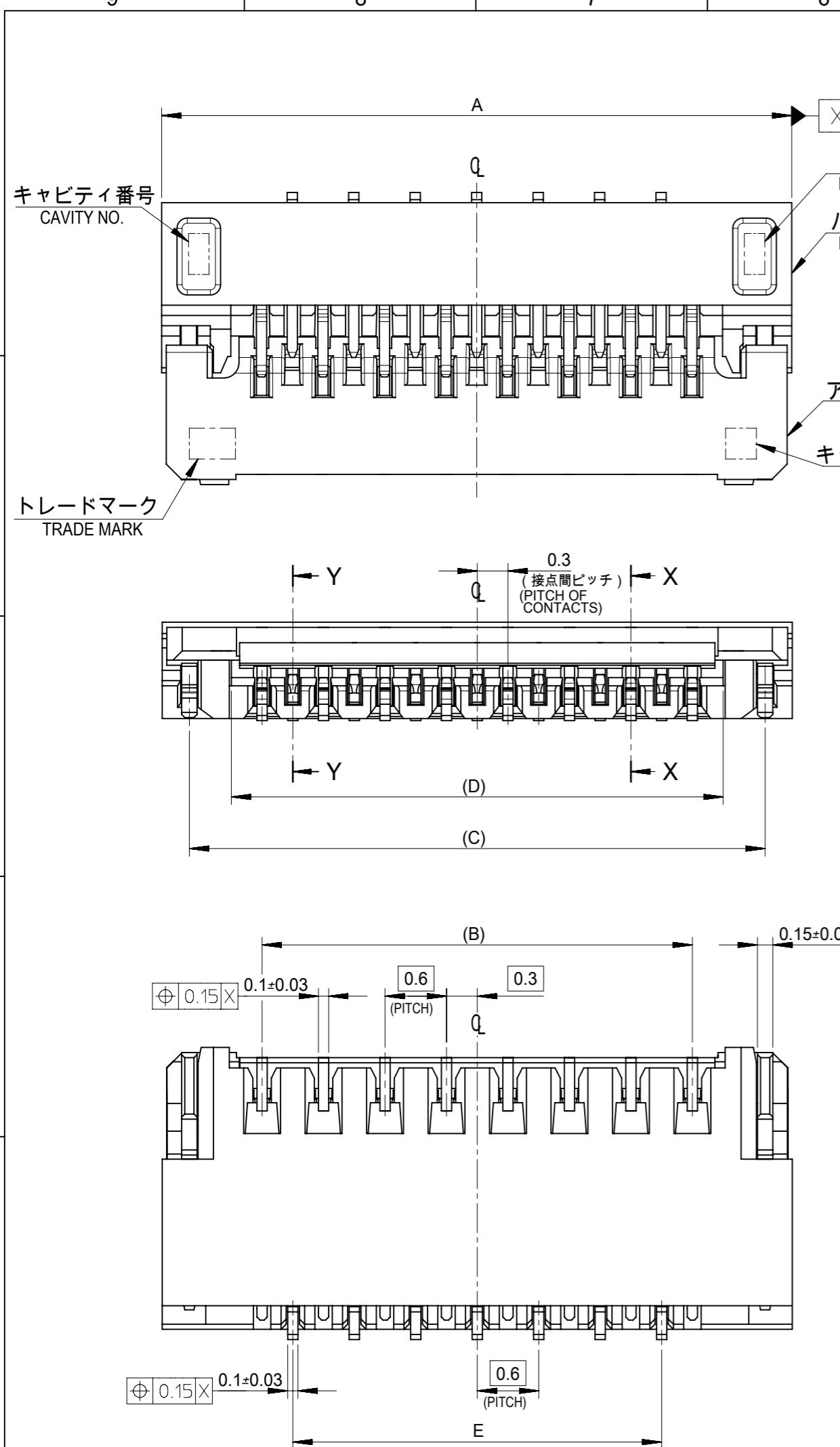
32±0.3	28.4±0.25	14.2	33.4	17.25	503566-5102	51
24±0.3	//	11.5	25.4	15.45	503566-4502	45
				14.85	503566-4302	43
				14.25	503566-4102	41
				13.65	503566-3902	39
				13.05	503566-3702	37
				12.45	503566-3502	35
				11.85	503566-3302	33
				11.25	503566-3102	31
16±0.3	//	7.5	17.4	10.05	503566-2702	27
				9.45	503566-2502	25
				8.85	503566-2302	23
				8.25	503566-2102	21
				7.65	503566-1902	19
				7.05	503566-1702	17
				6.45	503566-1502	15
				5.85	503566-1302	13
5.25	503566-1102	11				
4.65	503566-0902	9				
E キャリアテープ幅 EMBOSSED TAPE WIDTH	D	C	B	A	EMBOSSED TAPE PACKAGE オーダー番号 ORDER NO.	極数 CIRCUITS

CONNECTOR SERIES NO.:503566-**08

SECTION Y-Y

THIS DRAWING CONTAINS INFORMATION THAT IS PROPRIETARY TO MOLEX ELECTRONIC TECHNOLOGIES, LLC AND SHOULD NOT BE USED WITHOUT WRITTEN PERMISSION

EC NO: 113200 DRWN: MNISHIKAWA CHK'D: KTAKAHASHI APPR: MSASAO	2016/12/22	GENERAL TOLERANCES (UNLESS SPECIFIED)	DIMENSION UNITS	SCALE		
	2017/02/21	ANGULAR TOL ± °	MM	NTS		
	2017/02/21	4 PLACES ±	DRWN BY	DATE		MNISHIKAWA 2016/12/22
		3 PLACES ±	CHK'D BY	DATE		KTAKAHASHI 2017/02/21
		2 PLACES ±	APPR BY	DATE		MSASAO 2017/02/21
		1 PLACE ±	DRAWING SIZE	THIRD ANGLE PROJECTION		A3
	0 PLACES ±	DRAFT WHERE APPLICABLE MUST REMAIN WITHIN DIMENSIONS			PRODUCT CUSTOMER DRAWING	
RELEASED					SERIES: 503566	
					MATERIAL NUMBER	
					CUSTOMER: GENERAL	
					SHEET NUMBER: 2 OF 2	



14.4	15.6	16.42	15.0	16.95	503566-5102	51
12.6	13.8	14.62	13.2	15.15	503566-4502	45
12.0	13.2	14.02	12.6	14.55	503566-4302	43
11.4	12.6	13.42	12.0	13.95	503566-4102	41
10.8	12.0	12.82	11.4	13.35	503566-3902	39
10.2	11.4	12.22	10.8	12.75	503566-3702	37
9.6	10.8	11.62	10.2	12.15	503566-3502	35
9.0	10.2	11.02	9.6	11.55	503566-3302	33
8.4	9.6	10.42	9.0	10.95	503566-3102	31
7.2	8.4	9.22	7.8	9.75	503566-2702	27
6.6	7.8	8.62	7.2	9.15	503566-2502	25
6.0	7.2	8.02	6.6	8.55	503566-2302	23
5.4	6.6	7.42	6.0	7.95	503566-2102	21
4.8	6.0	6.82	5.4	7.35	503566-1902	19
4.2	5.4	6.22	4.8	6.75	503566-1702	17
3.6	4.8	5.62	4.2	6.15	503566-1502	15
3.0	4.2	5.02	3.6	5.55	503566-1302	13
2.4	3.6	4.42	3.0	4.95	503566-1102	11
1.8	3.0	3.82	2.4	4.35	503566-0902	9
E	D	C	B	A	EMBOSSED PACKAGE	極数
					オーダー番号 ORDER NO.	CIRCUITS

CONNECTOR SERIES NO. 503566-**08

THIS DRAWING CONTAINS INFORMATION THAT IS PROPRIETARY TO MOLEX ELECTRONIC TECHNOLOGIES, LLC AND SHOULD NOT BE USED WITHOUT WRITTEN PERMISSION

2016/12/22	2017/02/21	2017/02/21	GENERAL TOLERANCES (UNLESS SPECIFIED)	DIMENSION UNITS	SCALE
2016/12/22	2017/02/21	2017/02/21	ANGULAR TOL ± °	MM	NTS
2016/12/22	2017/02/21	2017/02/21	4 PLACES ±	DRWN BY	DATE
2016/12/22	2017/02/21	2017/02/21	3 PLACES ±	MNISHIKAWA	2016/12/22
2016/12/22	2017/02/21	2017/02/21	2 PLACES ±	CHK'D BY	DATE
2016/12/22	2017/02/21	2017/02/21	1 PLACE ±	KTAKAHASHI	2017/02/21
2016/12/22	2017/02/21	2017/02/21	0 PLACES ±	APPR BY	DATE
2016/12/22	2017/02/21	2017/02/21		MSASAO	2017/02/21
2016/12/22	2017/02/21	2017/02/21	DRAFT WHERE APPLICABLE MUST REMAIN WITHIN DIMENSIONS	DRAWING SIZE	THIRD ANGLE PROJECTION
2016/12/22	2017/02/21	2017/02/21		A3	

RELEASED

EC NO: 113200
DRWN: MNISHIKAWA
CHK'D: KTAKAHASHI
APPR: MSASAO

2016/12/22
2017/02/21
2017/02/21

GENERAL TOLERANCES (UNLESS SPECIFIED)

ANGULAR TOL ± °

4 PLACES ±

3 PLACES ±

2 PLACES ±

1 PLACE ±

0 PLACES ±

DRAFT WHERE APPLICABLE MUST REMAIN WITHIN DIMENSIONS

DIMENSION UNITS: MM

SCALE: NTS

DRWN BY: MNISHIKAWA

DATE: 2016/12/22

CHK'D BY: KTAKAHASHI

DATE: 2017/02/21

APPR BY: MSASAO

DATE: 2017/02/21

DRAWING SIZE: A3

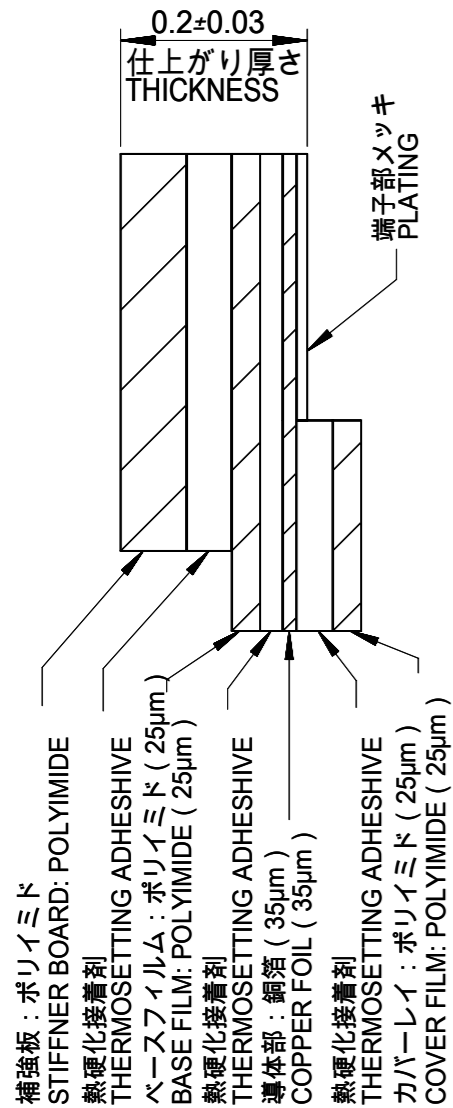
THIRD ANGLE PROJECTION

molex

0.3 FPC CONN E/O
BTM CONTACT TYPE HGT=0.95MM

PRODUCT CUSTOMER DRAWING

SERIES	MATERIAL NUMBER	CUSTOMER	
503566		GENERAL	
DOCUMENT NUMBER	DOC TYPE	DOC PART	SHEET NUMBER
5035661001	PSD	000	1 OF 2

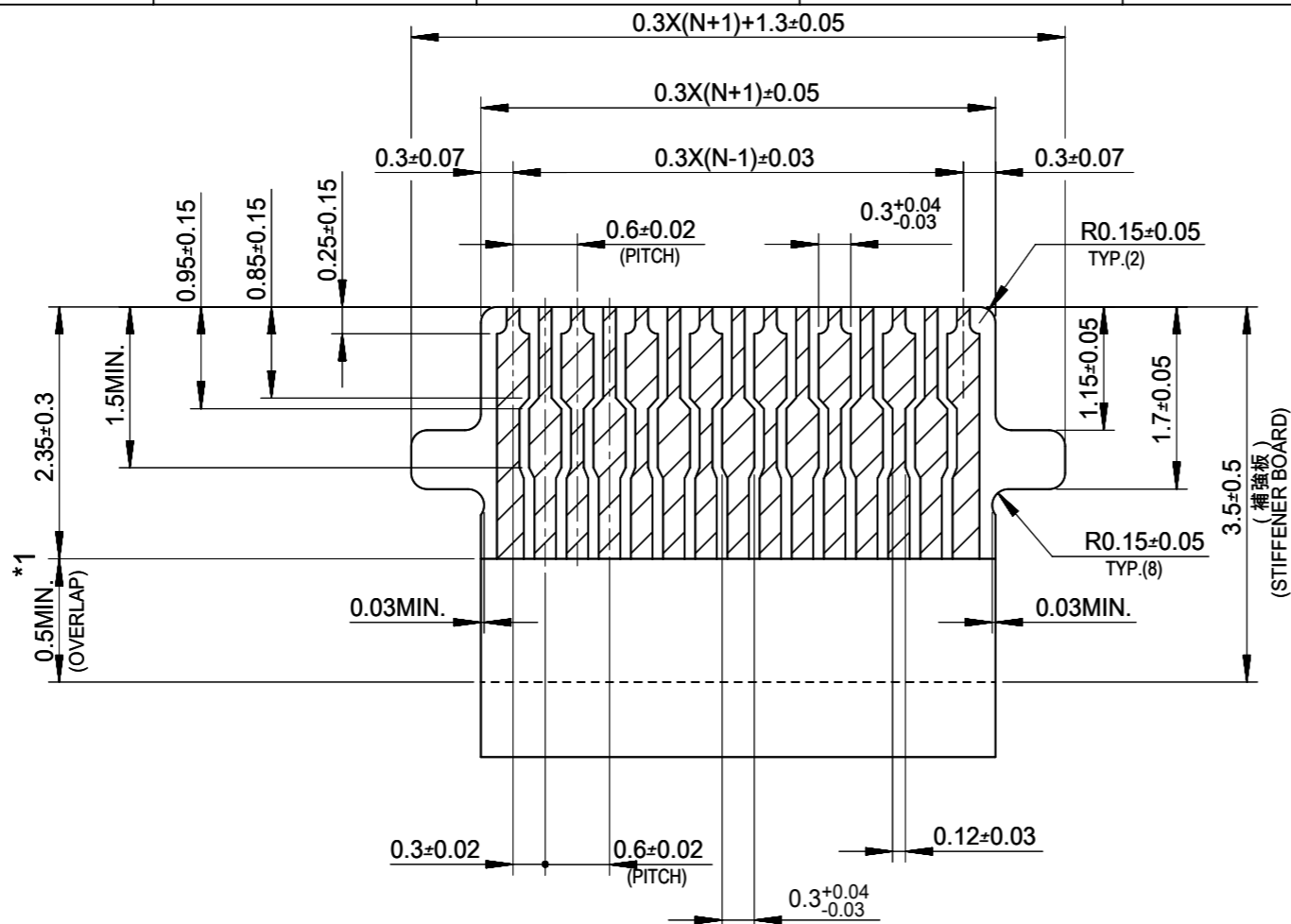


FPC構成推奨仕様
STRUCTURE OF FPC

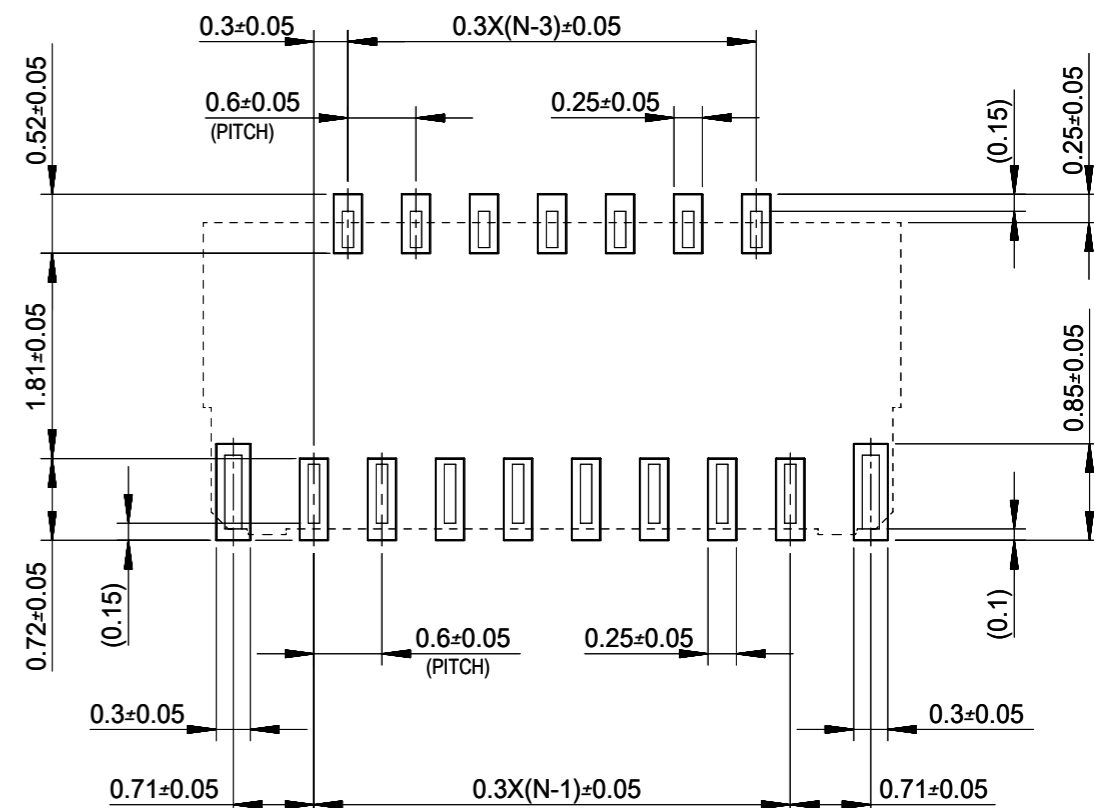
・FPCについて (ABOUT FPC)
抜き方向は、導体側から補強板側を推奨します
補強板材質はポリイミド、接着剤は熱硬化接着剤を推奨します
なお、接着剤の接点部への付着は導通不良の原因となりますので
染み出しがないよう、お願いします
RECOMMENDED PUNCHER DIRECTION:
FROM CONDUCTOR SIDE TO STIFFENER BOARD SIDE
RECOMMENDED MATERIAL:
STIFFENER BOARD: POLYIMIDE
BONDING AGENT: THERMOSETTING AGENT
PLEASE PUT APPROPRIATE AMOUNT OF ADHESIVE ON
ADHEREND BECAUSE THERE IS A POSSIBILITY THAT
THE EXTRA ADHESIVE CAUSES THE DEFECT IN ELECTRICAL CONTINUITY

・FPCパターンメッキ仕様
金メッキ: 0.1µm以上
下地ニッケルメッキ: 2~6µm
FPC PATTERN PLATING
GOLD PLATING: 0.1µm MINIMUM
NICKEL UNDER PLATING: 2~6µm

*1 補強板長さが図面通り確保できない場合は、カバーレイと
補強板のオーバーラップ寸法を 0.5mm 以上としてください
WHEN STIFFENER BOARD DIMENSION CAN NOT
SECURE AS DRAWING, PLEASE GIVE THE OVERLAP
SIZE OF COVER FILM AND STIFFENER BOARD AS 0.5mm MINIMUM



適合するFPC推奨寸法 (参考)
APPLICABLE FPC
PATTERN DIMENSIONS(REF.)
(端子部仕上げり厚さ: 0.2±0.03)
(THICKNESS: 0.2±0.03)



参考基板レイアウト
RECOMMENDED PCB
PATTERN DIMENSIONS(REF.)

推奨ペースト厚 : 100µm
推奨マスク開口率 : 80%
RECOMMEND SCREEN THICKNESS : 100µm
RECOMMEND SCREEN OPEN RATIO : 80%

注記NOTES

1. 使用材料 MATERIALS
ハウジング : 液晶ポリマー (LCP)、ガラス充填、UL94V-0、ナチュラル (白色系)
アクチュエータ : ポリアミド (PA)、ガラス充填、UL94V-HB、黒色
奇数端子 : 燐青銅、ニッケル下地、金メッキ
偶数端子 : 燐青銅、ニッケル下地、金メッキ
補強金具 : 燐青銅、ニッケル下地、金メッキ
HOUSING : LIQUID CRYSTAL POLYMER(LCP), GLASS FILLED UL94V-0, NATURAL(WHITE)
ACTUATOR : POLYAMIDE (PA), GLASS FILLED UL94V-HB, BLACK
ODD TERMINAL : PHOSPHOR BRONZE, Gold OVER Nickel PLATING
EVEN TERMINAL : PHOSPHOR BRONZE, Gold OVER Nickel PLATING
FITTING NAIL : PHOSPHOR BRONZE, Gold OVER Nickel PLATING
2. 端子、補強金具のコプラナリティーは0.1以下とする
COPLANALITY OF SOLDER TAILS AND FITTING NAILS: 0.1MAX.
3. 一般公差 : ±0.3
GENERAL TOLERANCES: ±0.3
4. ELV AND RoHS COMPLIANT

THIS DRAWING CONTAINS INFORMATION THAT IS PROPRIETARY TO MOLEX ELECTRONIC TECHNOLOGIES, LLC AND SHOULD NOT BE USED WITHOUT WRITTEN PERMISSION

RELEASED EC NO: 113200 DRWN: MNISHIKAWA CHK'D: KTAKAHASHI APP: MSASAO	2016/12/22	2017/02/21	2017/02/21	GENERAL TOLERANCES (UNLESS SPECIFIED)	DIMENSION UNITS	SCALE			
					MM	NTS			
					DRWN BY	DATE		MNISHIKAWA	2016/12/22
					CHK'D BY	DATE		KTAKAHASHI	2017/02/21
					APP'R BY	DATE	MSASAO	2017/02/21	
					DRAWING SIZE	THIRD ANGLE PROJECTION			
					A3				
					PRODUCT CUSTOMER DRAWING				
					SERIES	MATERIAL NUMBER	CUSTOMER		
					503566		GENERAL		
					DOCUMENT NUMBER	DOC TYPE	DOC PART	SHEET NUMBER	
					5035661001	PSD	000	2 OF 2	