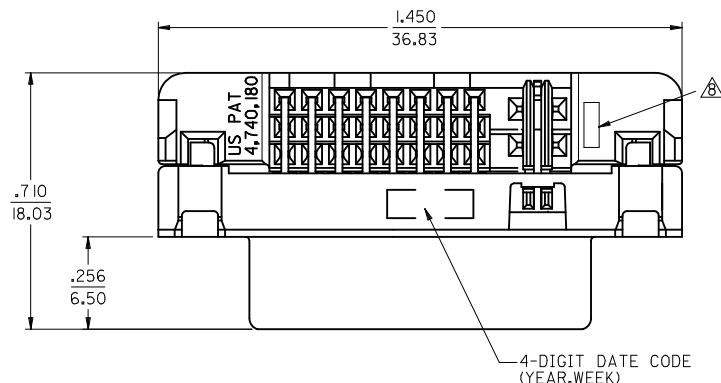


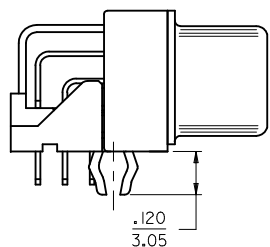
PART NUMBER	DIM. *A*	PLATING OPTION
74320-9000	.092/2.34	1
74320-9004	.092/2.34	2
74320-9006	.110/2.79	2



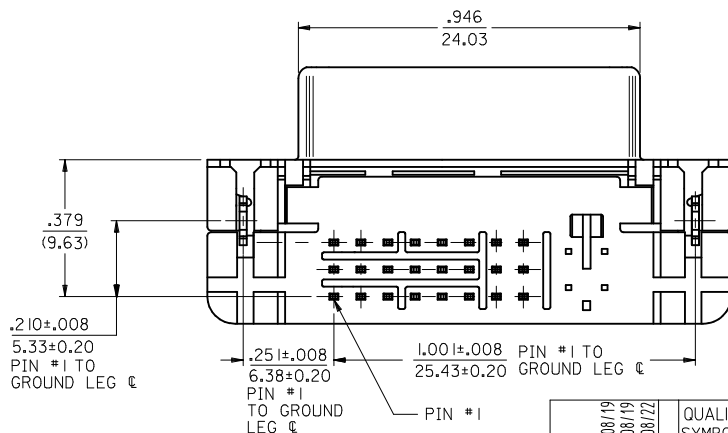
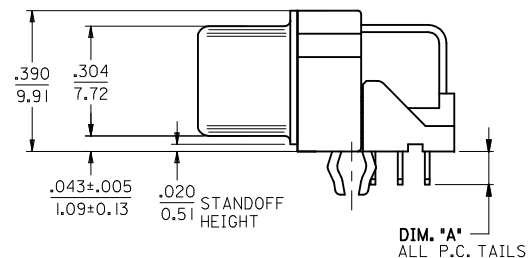
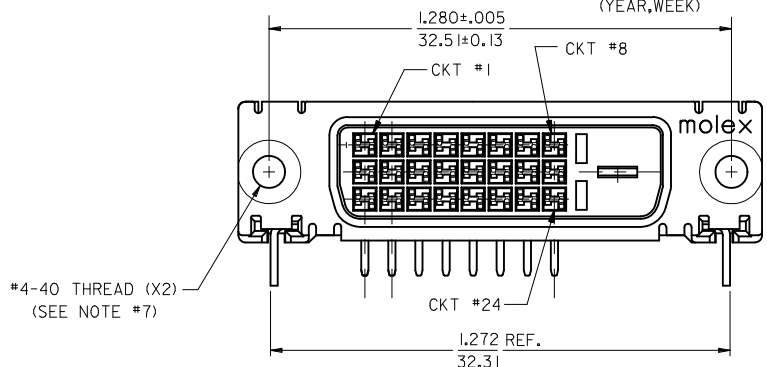
NOTES:

- MATERIALS:  
SHIELD -- DEEP DRAW STEEL.  
HOUSING -- GLASS FILLED POLYMER, NATURAL (WHITE), UL 94v-0.  
TAIL ALIGNER -- GLASS FILLED POLYMER, NATURAL (WHITE), UL 94v-0.  
CONTACTS -- COPPER ALLOY.  
MICROCROSS GROUND -- COPPER ALLOY.
- PLATING: SEE SHEET 2
- PRODUCT CONFORMS TO MOLEX PRODUCT SPECIFICATION NUMBER PS-74320-001.
- SEE SHEET 2 FOR RECOMMENDED PANEL CUT-OUT AND P.C.B. LAYOUT.
- PARTS WILL BE PACKAGED IN TRAYS PER PK-74320-010.
- PRODUCT CONFORMS TO DDWG DVI SPECIFICATION. REFER TO THIS SPECIFICATION FOR CONNECTOR MATING DIMENSIONS.
- RECOMMENDED MOUNTING HARDWARE IS MOLEX P/N 71781-0001 OR 82007-0300 OR 88780-6066. REFER TO PRODUCT SPECIFICATION NUMBER PS-74320-001 FOR THE APPLICATION TORQUE REQUIREMENT FOR ASSEMBLING MOUNTING HARDWARE.

△ CAVITY NO. AND MANUFACTURING PLANT CODE.

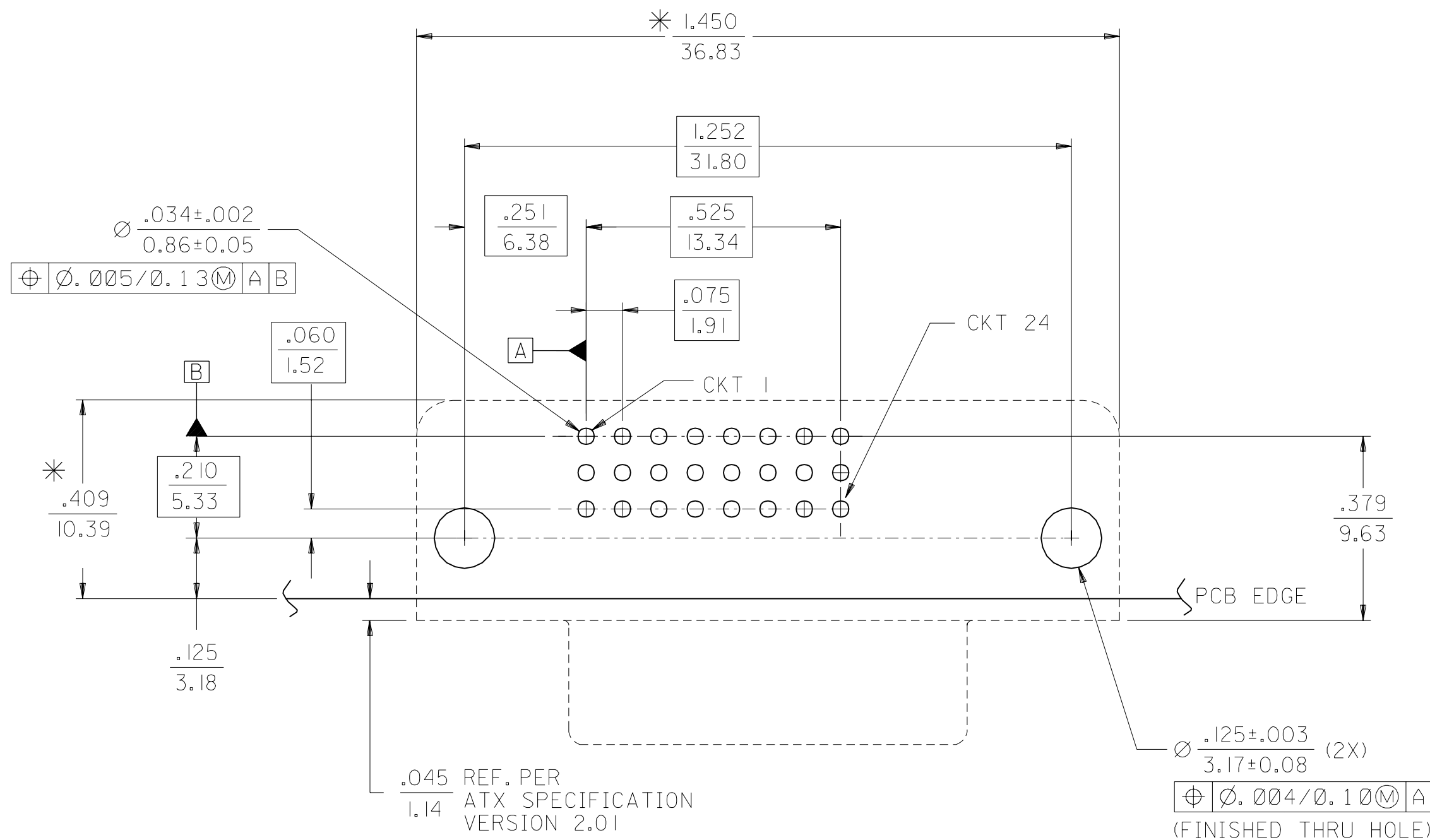


#4-40 THREAD (X2)  
(SEE NOTE #7)



REV	DESCRIPTION	QUALITY SYMBOLS		GENERAL TOLERANCES (UNLESS SPECIFIED)		DIMENSION STYLE		SCALE	DESIGN UNITS	THIRD ANGLE PROJECTION
		m/m	INCH	IN/	MM	1:1	INCH	PROJECTION		
1	DRWN: XJSONG 2011/08/19	▽=0	▽=0	4 PLACES ±---	±---	DRAWN BY	DATE	TITLE	DVI-D/ATX RIGHT ANGLE RECEPTACLE CONNECTOR W/FORKLOCK	MATERIAL NO.
2	CHKD: XJSONG 2011/08/19	▽=0	▽=0	3 PLACES ±---	±.010	CHECKED BY	DATE			
3	APPR: RZHANG 2011/08/22	▽=0	▽=0	2 PLACES ±0.25	±.010	APPROVED BY	DATE	THIS DRAWING CONTAINS INFORMATION THAT IS PROPRIETARY TO MOLEX INCORPORATED AND SHOULD NOT BE USED WITHOUT WRITTEN PERMISSION		
				1 PLACE ±0.25	±.010	RZHANG	2011/08/22			
				ANGULAR ±1/2°		SEE TABLE				
				DRAFT WHERE APPLICABLE MUST REMAIN WITHIN DIMENSIONS						





RECOMMENDED PCB LAYOUT

COMPONENT SIDE OF PCB SHOWN

\* THESE DIMENSIONS REPRESENT CONNECTOR OVERLAY ON PCB.

PLATING OPTIONS:

PLATING OPTION #1:

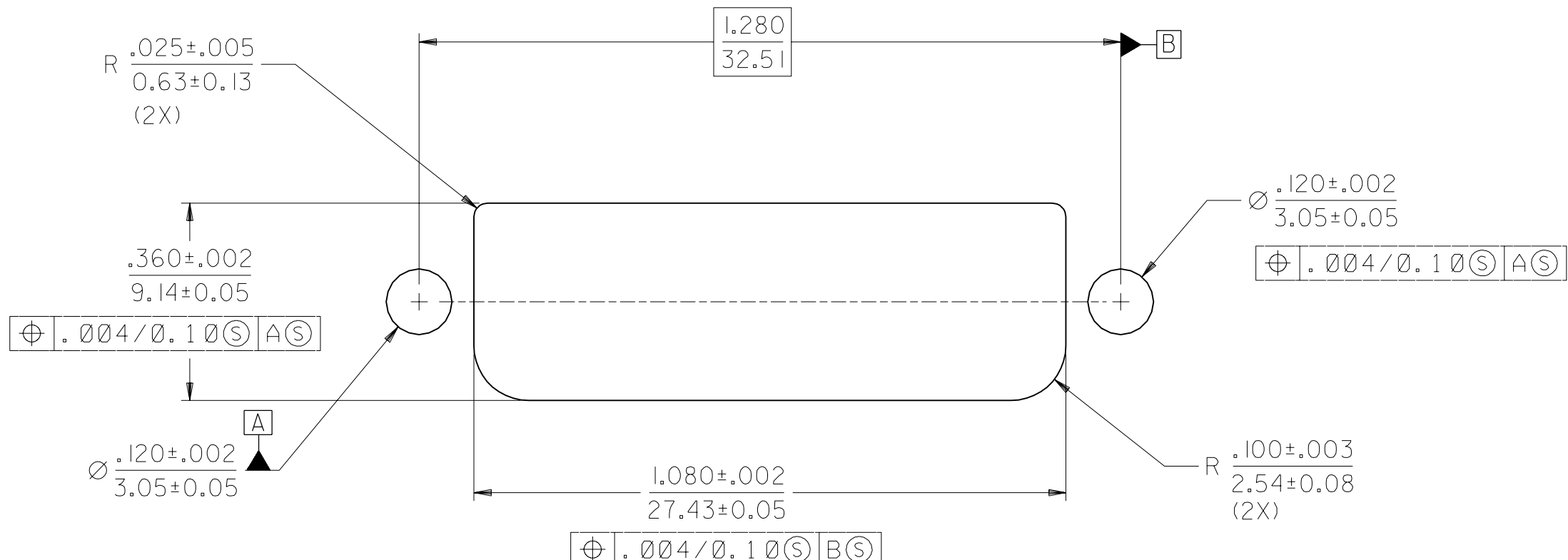
OUTER SHIELD -- 150u"/(3.75um) MIN. BRIGHT TIN OVER 50u"/(1.27um) MIN. NICKEL OVER COPPER FLASH

.075"/(1.91mm) CONTACTS -- 30u"/(0.75um) MIN. SELECT GOLD AND 100u"/(2.50um) MIN. SELECT PURE TIN OVER 50u"/(1.27um) MIN. NICKEL OVERALL.

PLATING OPTION #2:

OUTER SHIELD -- 150u"/(3.75um) MIN. BRIGHT TIN OVER 50u"/(1.27um) MIN. NICKEL OVER COPPER FLASH

.075"/(1.91mm) CONTACTS -- SELECT GOLD FLASH AND 100u"/(2.50um) MIN. SELECT PURE TIN OVER 50u"/(1.27um) MIN. NICKEL OVERALL.



RECOMMENDED PANEL CUT-OUT

PANEL THICKNESS: .030" - .040"

MODIFICATION EC NO. SH2004-0130 DRWN: DXUE 04/03/05 CHK: HARVEY 04/03/11 APPR: SHUANG 04/03/12	QUALITY SYMBOLS MAJOR $\nabla=0$ CRITICAL $\nabla c=0$	GENERAL TOLERANCES: (UNLESS SPECIFIED)	SCALE 4 : 1	DESIGN UNITS <input type="checkbox"/> mm <input checked="" type="checkbox"/> INCH	THIRD ANGLE PROJECTION <input checked="" type="checkbox"/> THIRD ANGLE <input type="checkbox"/> FIRST ANGLE	DIMENSIONS: <input type="checkbox"/> INCH ONLY <input checked="" type="checkbox"/> mm <input type="checkbox"/> INCH <input type="checkbox"/> mm ONLY	SHT REV
	REV	4 PLACES $\pm 0.$ mm $\pm .$ INCH 3 PLACES $\pm 0.$ mm $\pm .010$ INCH 2 PLACES $\pm 0.25$ mm $\pm .010$ INCH 1 PLACE $\pm 0.25$ mm $\pm .010$ INCH	DRAWN BY & DATE TMCCLELL 99/05/12	TITLE: DVI - D/ATX RIGHT ANGLE RECEPTACLE CONNECTOR W/FORKLOCK			
	DRAFT WHERE APPLICABLE MUST REMAIN WITHIN DIMENSIONS	ANGULAR: $\pm 1/2^\circ$	CHECKED BY & DATE MOSULLIV 99/05/12	MOLEX INCORPORATED			
	THIS DRAWING CONTAINS INFORMATION THAT IS PROPRIETARY TO MOLEX INCORPORATED AND SHOULD NOT BE USED WITHOUT WRITTEN PERMISSION.	CAD FILENAME SD74320009.S02	APPROVED BY & DATE NELLIGAN 99/05/15	MATERIAL NO. SEE CHART	DRAWING NO. SD-74320-009	SHEET NO. 2	SIZE C