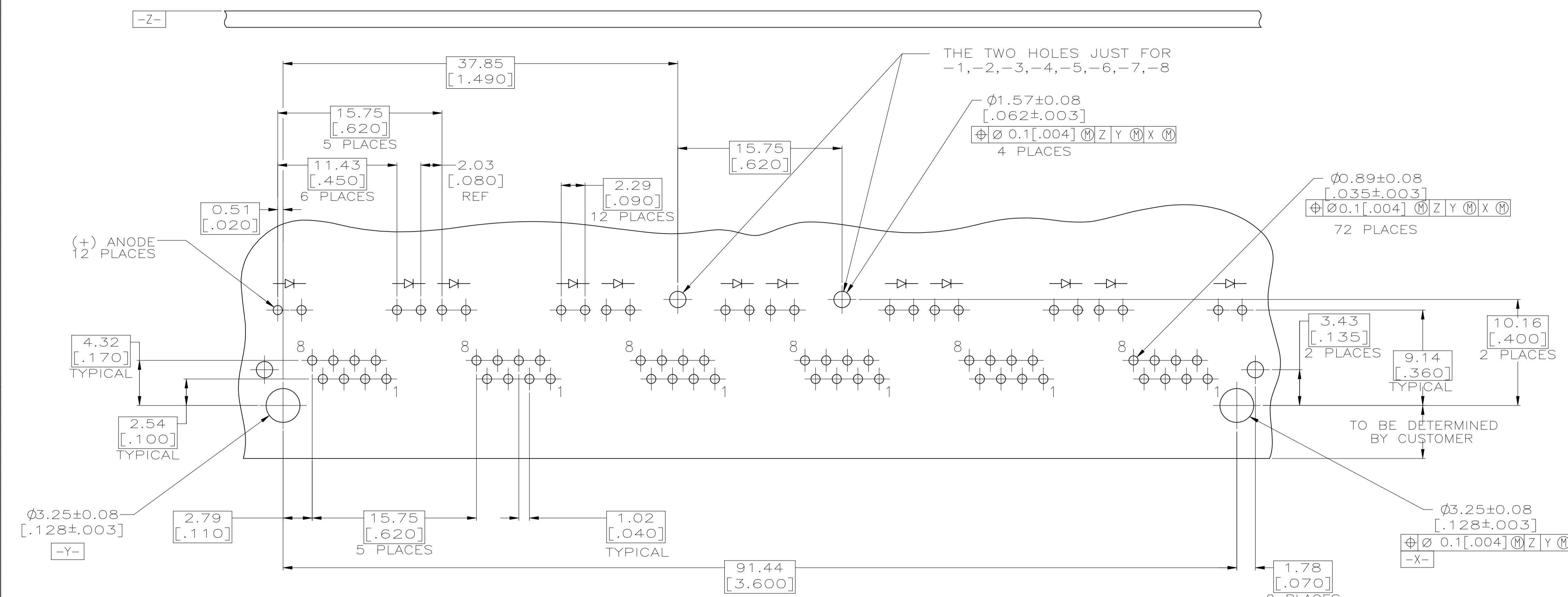


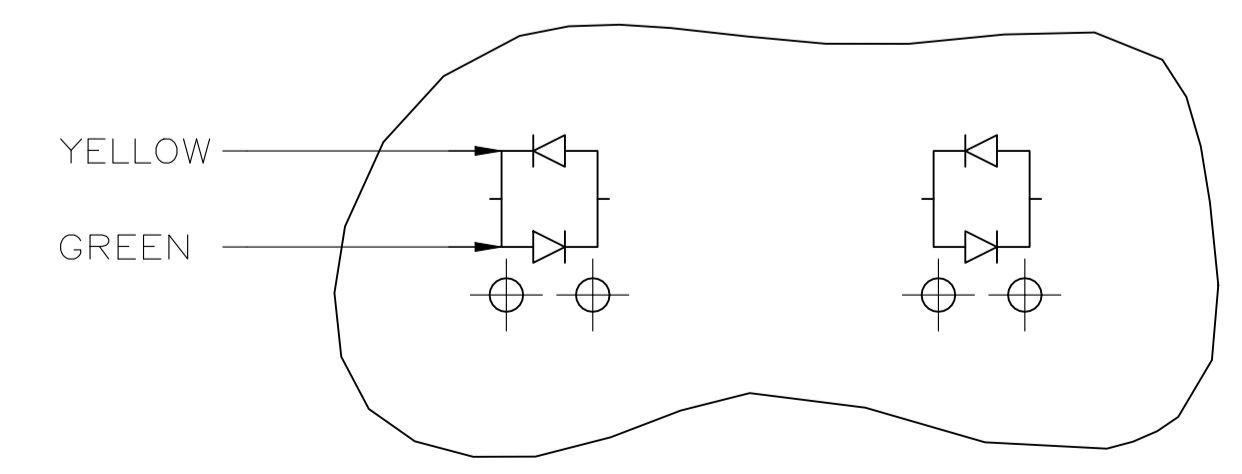
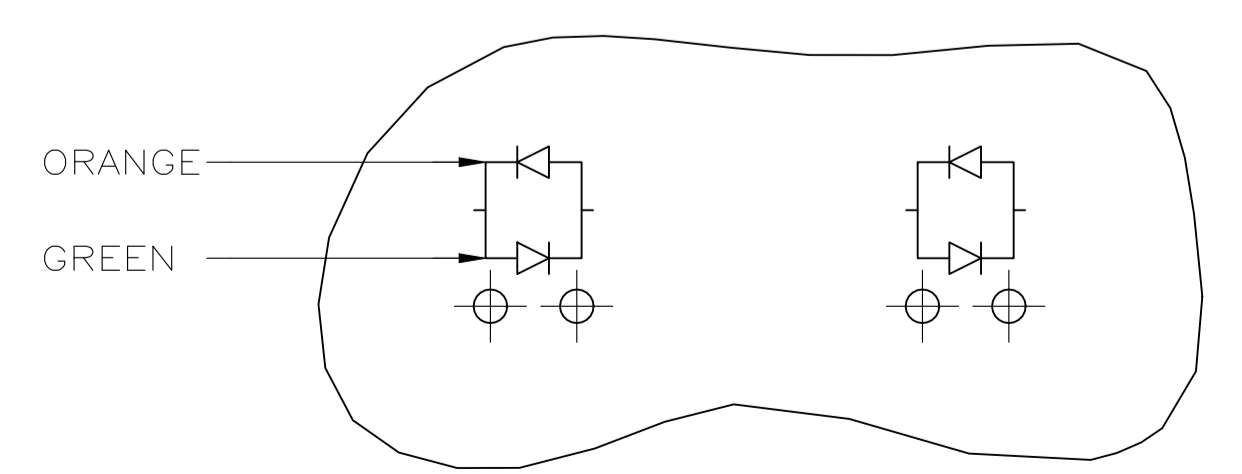
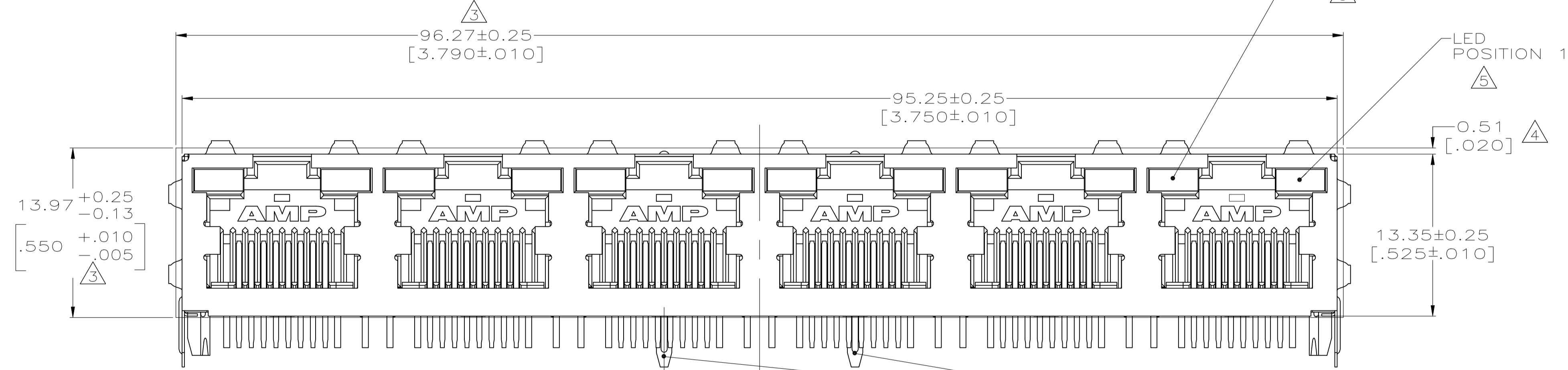
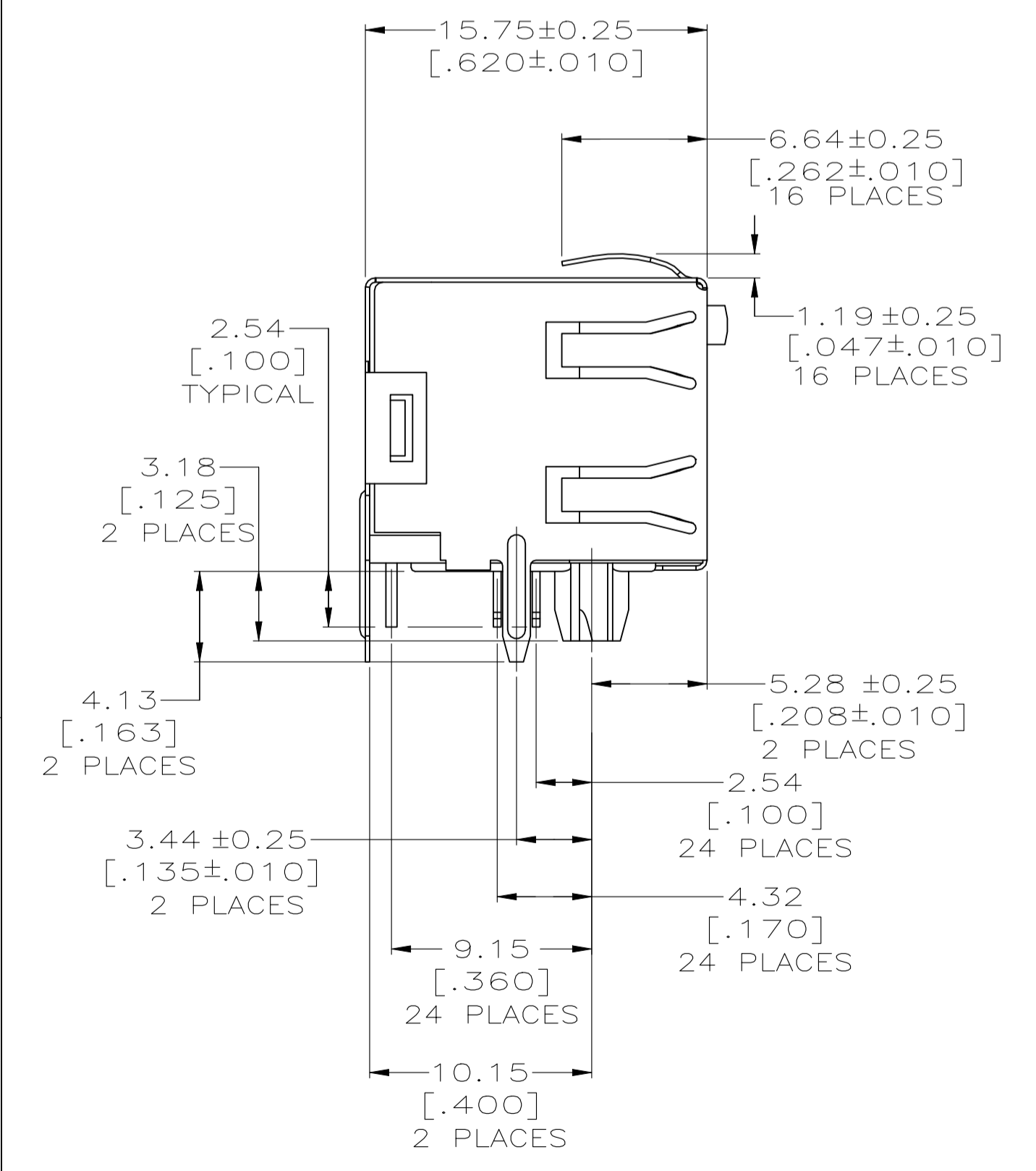
REVISIONS				
REV	DATE	BY	APP'D	DESCRIPTION
C1	25MAR2021	AK	SZ	REVISED PER ECO-21-003828



SUGGESTED PRINTED CIRCUIT BOARD LAYOUT (COMPONENT SIDE)

OBSOLETE

- MATERIAL:**  
 HOUSING - HIGH TEMPERATURE THERMOPLASTIC, BLACK, UL94V-0.  
 TERMINALS - 0.36[.014] THICK PHOS BRONZE PLATED WITH 3.81µm[.000150] MINIMUM THICK MATTE TIN IN SOLDER AREA. 1.27µm[.000050] MINIMUM GOLD IN LOCALIZED PLATE AREA. ENTIRE TERMINAL PLATED WITH 1.27µm[.000050] MINIMUM THICK NICKEL.  
 SHIELD - 0.196[.0077] THICK COPPER ZINC ALLOY PREPLATED WITH 1.27µm[.000050] MINIMUM SATIN NICKEL WITH 2.03µm[.000080] MINIMUM TIN POST DIPPED ON PCB GROUND TABS.  
 LIGHT EMITTING DIODE (LED) - DIFFUSED EPOXY LENS, 0.51 x 0.51[.020 x .020] CARBON STEEL WIREFRAME LEADS PREPLATED WITH 8.89 µm[.0003500] THICK Sn/Cu OVER 2.03 µm[.000080] THICK Ag OVER 1.02µm[.000040] THICK Cu OVER 3.56 µm[.000140] THICK Ni OVER 1.02µm[.000040] Cu UNDERPLATE
- JACK CAVITY CONFORMS TO FCC RULES AND REGULATIONS PART 68, SUBPART F.
  - SUGGESTED PANEL OPENING DIMENSIONS.
  - SUGGESTED CLEARANCE BETWEEN TOP OF CONNECTOR AND TOP PANEL OPENING.
  - SEE TABLE FOR COLOR OF LEDS AND NUMBER REQUIRED.
  - THIS MODULAR JACK WITH INTEGRATED LED IS NOT IR REFLOW SOLDERING PROCESS COMPATIBLE.
  - FOR 5406554-9, NO REAR GROND TAB.
  - OBSOLETE PARTS: OBSOLETE CIS STREAMLINING PER D.RENAUD/D.SINISI



INDICATOR COLOR FOR EACH HOUSING	POSITION 2	POSITION 1	PART NUMBER
<del>OBSOLETE</del>	GREEN/YELLOW	GREEN/YELLOW	5406554-9
<del>OBSOLETE</del>	-GREEN/YELLOW	GREEN/YELLOW	5406554-8
<del>OBSOLETE</del>	ORANGE/GREEN	ORANGE/GREEN	5406554-7
<del>OBSOLETE</del>	YELLOW	YELLOW	-5406554-6
<del>OBSOLETE</del>	GREEN	GREEN	5406554-5
<del>OBSOLETE</del>	-GREEN	YELLOW	5406554-4
<del>OBSOLETE</del>	YELLOW	-	-5406554-3
	-	GREEN	5406554-2

THIS DRAWING IS A CONTROLLED DOCUMENT.

DIMENSIONS: mm [INCHES]	TOLERANCES UNLESS OTHERWISE SPECIFIED:	DIN J. ALCORTA - 16JUN2005	DOCKS: J. WESTMAN - 16JUN2005
0. PLC ± -	1. PLC ± -	APVD S. FLICKINGER - 16JUN2005	NAME
2. PLC ± 0.25(.01)	3. PLC ± 0.13(.005)	PRODUCT SPEC	108-1163-4
4. PLC ± -	ANGLES ± -	APPLICATION SPEC	114-2154
MATERIAL	FINISH	WEIGHT	SIZE CAGE CODE DRAWING NO
			A1 00779 C=5406554
		CUSTOMER DRAWING	SCALE 4:1 SHEET 1 of 1 REV C1

INVERTED MODULAR JACK ASSEMBLY, 1X6, SHIELDED, PANEL GROUND, LED