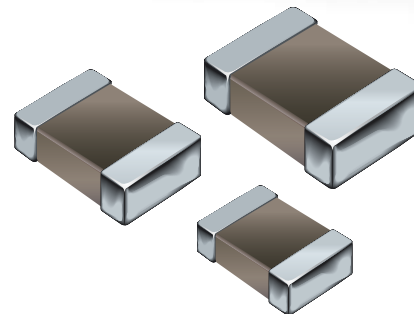




Product Obsolescence Memo

CHIP INDUCTORS

Bourns Manufacturers Representatives
Corporate Distributor Product Managers
Americas Sales Team
Asia Sales Team
Europe Sales Team
Bourns Internal
Bourns Plant Managers



March, 2010

CF Multilayer Chip Inductor Models to be Discontinued in December 2010

The CF252016, CF322513 and CF453215 Multilayer Chip Inductor models will be discontinued at the end of 2010. A lack of sales volume and diminishing demand for these products necessitate this action. The last time buy order date for these CF Chip Inductor models will be December 31, 2010.

The suggested alternative for the CF models are the CM wirewound models listed below.

[CF252016](#) suggested alternative: [CM252016](#)

[CF322513](#) suggested alternative: [CM322522](#)

[CF453215](#) suggested alternative: [CM453232](#)

A detailed list of the affected part numbers is included.

P/N to be Discontinued	Suggested Alternative
CF252016-R10K	CM252016-R10KL
CF252016-R12K	CM252016-R12KL
CF252016-R15K	CM252016-R15KL
CF252016-R18K	CM252016-R18KL
CF252016-R22K	CM252016-R22ML
CF252016-R27K	CM252016-R27ML
CF252016-R33K	CM252016-R33ML
CF252016-R39K	CM252016-R39ML
CF252016-R47K	CM252016-R47ML
CF252016-R56K	CM252016-R56ML
CF252016-R68K	CM252016-R68ML
CF252016-R82K	CM252016-R82ML
CF252016-1R0K	CM252016-1R0KL
CF252016-1R2K	CM252016-1R2KL
CF252016-1R5K	CM252016-1R5KL
CF252016-1R8K	CM252016-1R8KL
CF252016-2R2K	CM252016-2R2KL
CF252016-2R7K	CM252016-2R7KL
CF252016-3R3K	CM252016-3R3KL
CF252016-3R9K	CM252016-3R9KL
CF252016-4R7K	CM252016-4R7KL
CF252016-5R6K	CM252016-5R6KL
CF252016-6R8K	CM252016-6R8KL
CF252016-8R2K	CM252016-8R2KL
CF252016-100K	CM252016-100KL
CF252016-120K	CM252016-120KL
CF252016-150K	CM252016-150KL
CF252016-180K	CM252016-180KL
CF252016-220K	CM252016-220KL
CF252016-270K	CM252016-270KL
CF252016-330K	CM252016-330KL
CF322513-R12K	CM322522-R12ML
CF322513-R15K	CM322522-R15ML
CF322513-R18K	CM322522-R18ML
CF322513-R22K	CM322522-R22ML
CF322513-R27K	CM322522-R27ML
CF322513-R33K	CM322522-R33ML
CF322513-R39K	CM322522-R39ML
CF322513-R47K	CM322522-R47ML
CF322513-R56K	CM322522-R56ML
CF322513-R68K	CM322522-R68ML
CF322513-R82K	CM322522-R82ML
CF322513-1R0K	CM322522-1R0KL
CF322513-1R2K	CM322522-1R2KL
CF322513-1R5K	CM322522-1R5KL
CF322513-1R8K	CM322522-1R8KL
CF322513-2R2K	CM322522-2R2KL
CF322513-2R7K	CM322522-2R7KL

P/N to be Discontinued	Suggested Alternative
CF322513-3R3K	CM322522-3R3KL
CF322513-3R9K	CM322522-3R9KL
CF322513-4R7K	CM322522-4R7KL
CF322513-5R6K	CM322522-5R6KL
CF322513-6R8K	CM322522-6R8KL
CF322513-8R2K	CM322522-8R2KL
CF322513-100K	CM322522-100KL
CF322513-120K	CM322522-120KL
CF322513-150K	CM322522-150KL
CF322513-180K	CM322522-180KL
CF322513-220K	CM322522-220KL
CF322513-270K	CM322522-270KL
CF322513-330K	CM322522-330KL
CF453215-R10K	CM453232-R10ML
CF453215-R12K	CM453232-R12ML
CF453215-R15K	CM453232-R15ML
CF453215-R18K	CM453232-R18ML
CF453215-R22K	CM453232-R22ML
CF453215-R27K	CM453232-R27ML
CF453215-R33K	CM453232-R33ML
CF453215-R39K	CM453232-R39ML
CF453215-R47K	CM453232-R47ML
CF453215-R56K	CM453232-R56ML
CF453215-R68K	CM453232-R68ML
CF453215-R82K	CM453232-R82ML
CF453215-1R0K	CM453232-1R0KL
CF453215-1R2K	CM453232-1R2KL
CF453215-1R5K	CM453232-1R5KL
CF453215-1R8K	CM453232-1R8KL
CF453215-2R2K	CM453232-2R2KL
CF453215-2R7K	CM453232-2R7KL
CF453215-3R3K	CM453232-3R3KL
CF453215-3R9K	CM453232-3R9KL
CF453215-4R7K	CM453232-4R7KL
CF453215-5R6K	CM453232-5R6KL
CF453215-6R8K	CM453232-6R8KL
CF453215-8R2K	CM453232-8R2KL
CF453215-100K	CM453232-100KL
CF453215-120K	CM453232-120KL
CF453215-150K	CM453232-150KL
CF453215-180K	CM453232-180KL
CF453215-220K	CM453232-220KL
CF453215-270K	CM453232-270KL
CF453215-330K	CM453232-330KL