



TAI-SAW TECHNOLOGY CO., LTD.

No. 3, Industrial 2nd Rd., Ping-Chen Industrial District,
Taoyuan, 324, Taiwan, R.O.C.

TEL: 886-3-4690038 FAX: 886-3-4697532

E-mail: tstsales@mail.taisaw.com Web: www.taisaw.com

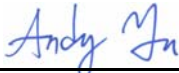
Product Specifications Approval Sheet


Product Name: SAW Filter 374MHz 5MHz BW SMD 3.8x3.8 mm

TST Parts No.:TB0316A

Customer Parts No.:_____

Company:_____
Division:_____
Approved by : _____
Date:_____

Checked by: _____ Andy Yu 

Approval by: _____ Bob Chau 

Date: _____ 2014/03/19

1. Customer signed back is required before TST can proceed with sample build and receive orders.
2. Orders received without customer signed back will be regarded as agreement on the specifications.
3. Any specifications changes must be approved upon by both parties and a new revision of specifications shall be released to reflect the changes.



TAI-SAW TECHNOLOGY CO., LTD.

No.3, Industrial 2nd Rd., Ping-Chen Industrial District, Taoyuan, Taiwan, R.O.C.

TEL: 886-3-4690038

FAX: 886-3-4697532

E-mail: tstsales3@mail.taisaw.com Web: www.taisaw.com

SAW Filter 374MHz 5MHz BW SMD 3.8x3.8 mm

MODEL NO.: TB0316A

REV. NO.:2.0

A. MAXIMUM RATING:

1. Input Power Level: 10 dBm
2. Storage Temperature: -40°C to 85°C
3. Operating Temperature: -40°C to 85°C

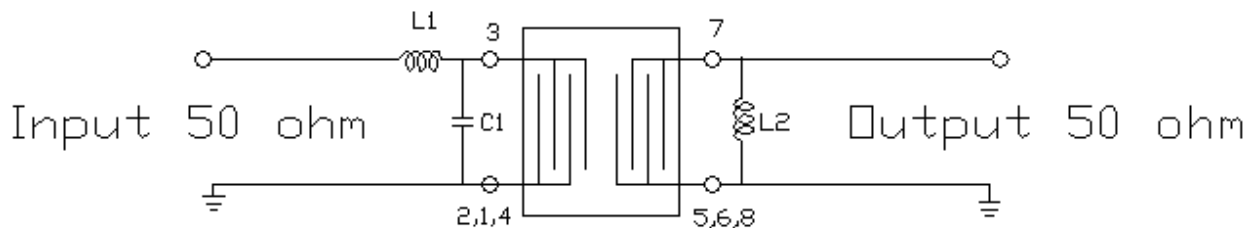
RoHS Compliant
Lead free
Lead-free soldering

Electrostatic Sensitive Device (ESD)

B. ELECTRICAL CHARACTERISTICS:

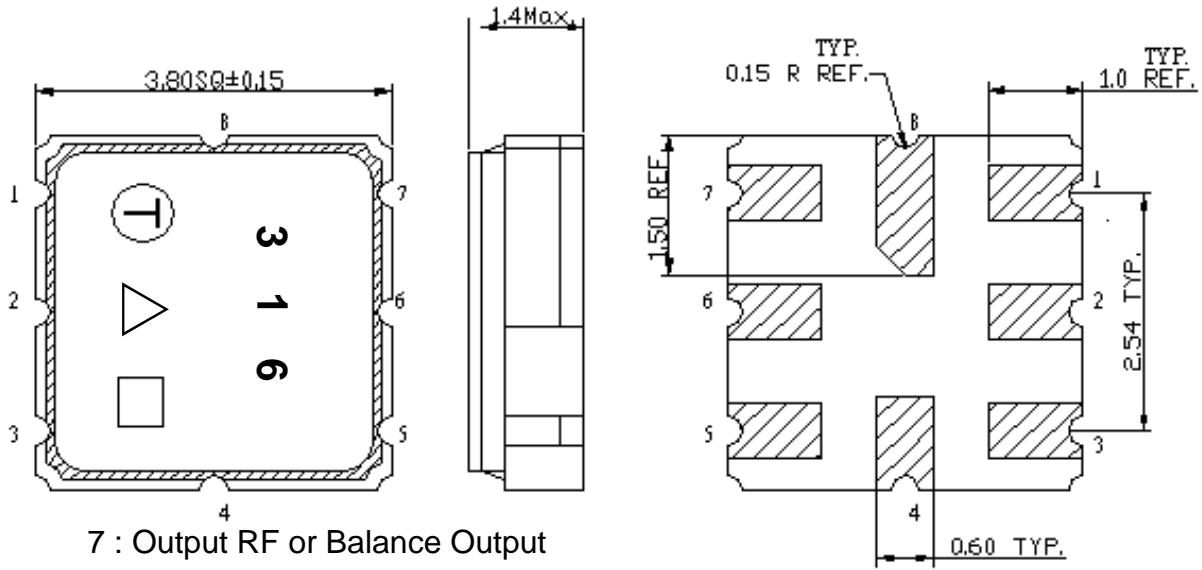
Item	Unit	Min.	Typ.	Max.	Note
Center frequency, F_c	MHz	-	374	-	-
Minimum Insertion Loss, IL	dB	-	11	12	-
1 dB Bandwidth	MHz	5	7.3	-	-
3 dB Bandwidth	MHz	-	9.5	11	-
Pass ripple (F _c ±2.5MHz)	dB		0.5	1	
Group delay ripple	nS		24	100	
Attenuation:(Reference level from Min IL)					
274MHz~354MHz	dB	40	45	-	-
354MHz~360MHz	dB	35	44		-
388MHz~394MHz	dB	35	39		-
394MHz~474MHz	dB	40	43	-	-

C. MEASUREMENT CIRCUIT:



L1=8nH C1=15pF L2=27nH

D.OUTLINE DRAWING:



- 7 : Output RF or Balance Output
- 6 : Output RF Ground or Balance Output Return
- 3 : Input RF or Balance Input
- 2 : Input RF Ground or Balance Input Return
- 1,4,5,8: Ground

Tolerance: ± 0.13 mm

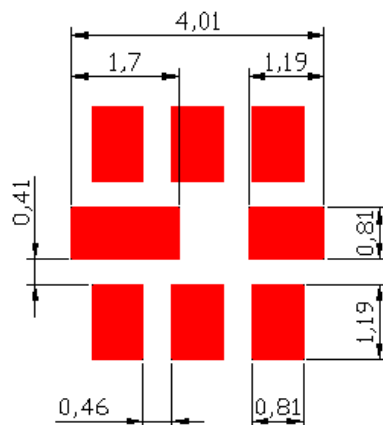
□ : Week Code (Follow the table from planner each year)

Unit : mm

△ : Product / Year Code

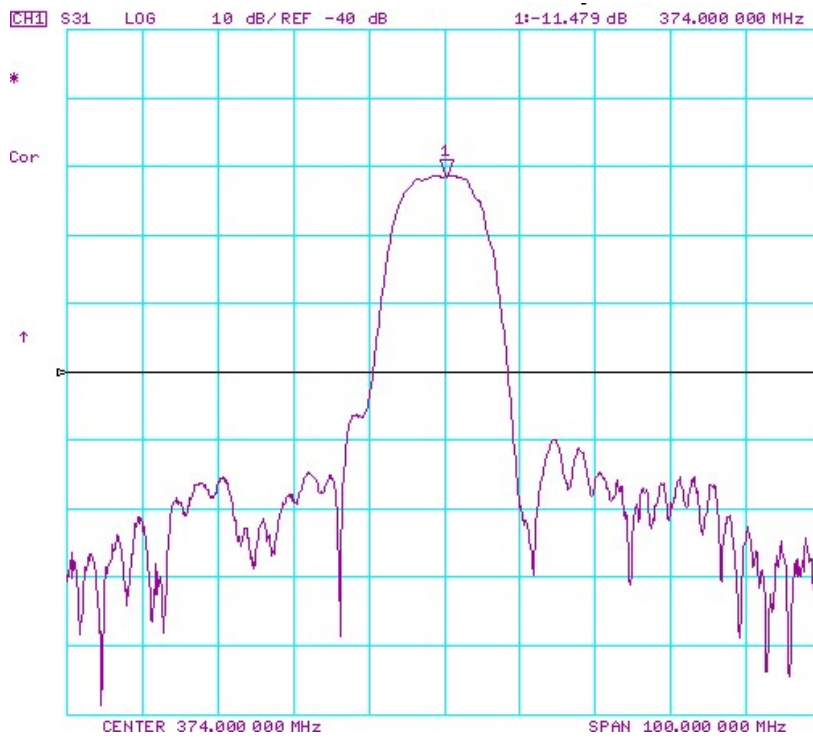
Year	20013 2009	2014 2010	2015 2011	2016 2012
Product Code	B	b	<u>B</u>	<u>b</u>

E.PCB FOOTPRINT:

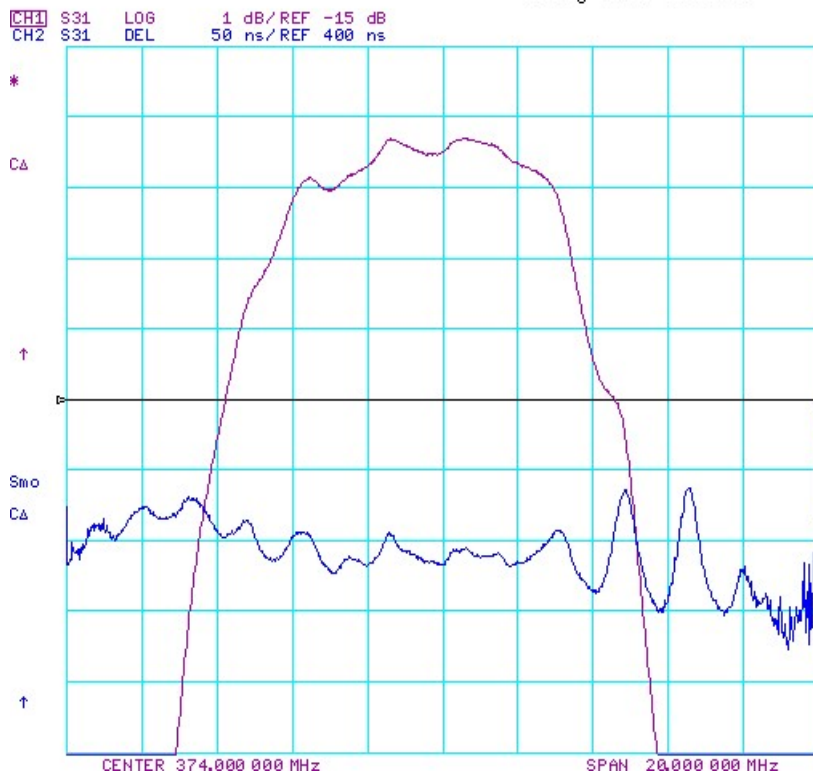


F. Transfer Function :

1. wide band :



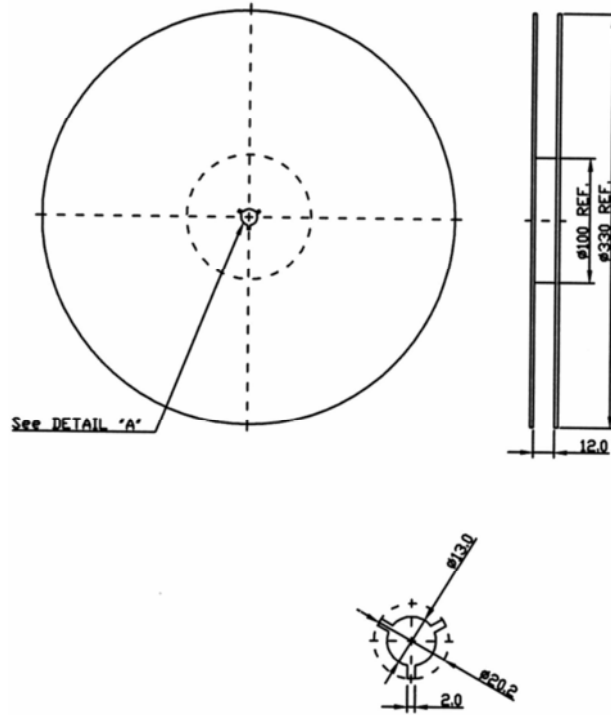
2. Pass band :



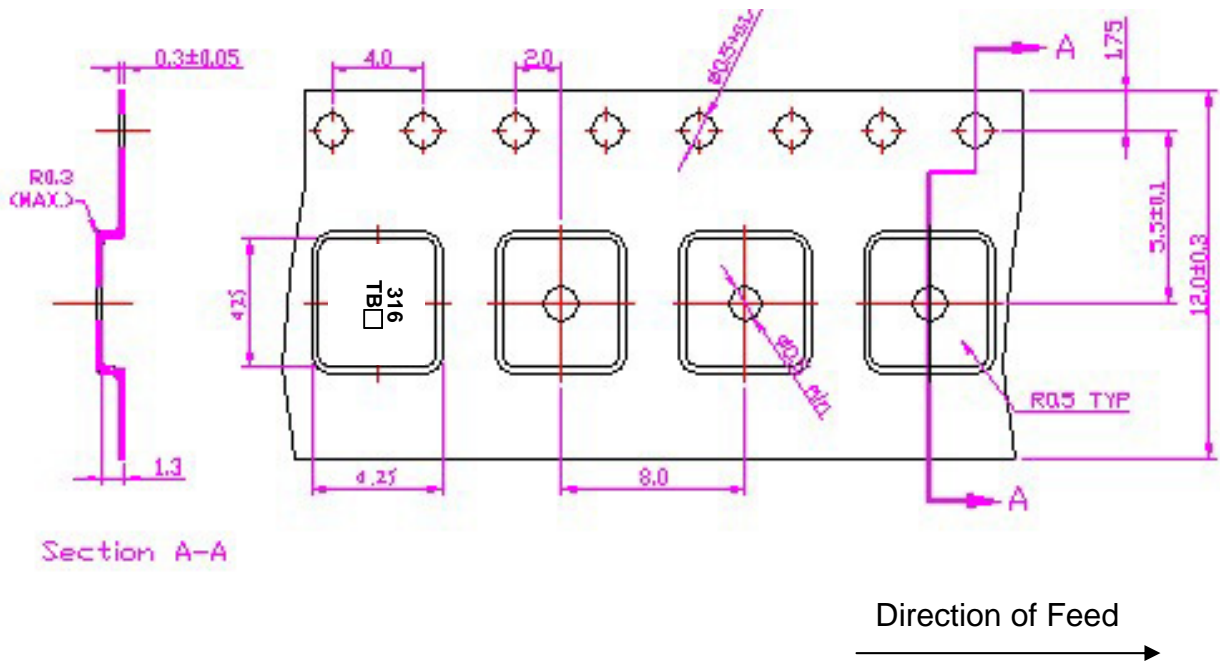
G. PACKING:

1. REEL DIMENSION

(Please refer to FR-75D10 for packing quantity)



2. TAPE DIMENSION



H. RECOMMENDED REFLOW PROFILE:

