

## TMUX112x 5-V, Low-Leakage-Current, 1:1 (SPST), 2-Channel Precision Switches

### 1 Features

- Wide supply range: 1.08 V to 5.5 V
- Low leakage current: 3 pA
- Low charge injection: –1.5 pC
- Low on-resistance: 1.9  $\Omega$
- –40°C to +125°C operating temperature
- [1.8 V Logic compatible](#)
- [Fail-safe logic](#)
- [Rail to rail operation](#)
- [Bidirectional signal path](#)
- Break-before-make switching
- ESD protection HBM: 2000 V

### 2 Applications

- Sample-and-hold circuits
- Feedback gain switching
- Signal isolation
- [Field transmitters](#)
- [Programmable logic controllers \(PLC\)](#)
- [Factory automation and control](#)
- [Ultrasound scanners](#)
- [Patient monitoring & diagnostics](#)
- [Electrocardiogram \(ECG\)](#)
- [Data acquisition systems \(DAQ\)](#)
- [Semiconductor test equipment](#)
- [Battery test equipment](#)
- [Instrumentation: lab, analytical, portable](#)
- [Ultrasonic smart meters: Water and Gas](#)
- [Optical networking](#)
- [Optical test equipment](#)

### 3 Description

The TMUX1121, TMUX1122, and TMUX1123 are precision complementary metal-oxide semiconductor (CMOS) devices that have two independently selectable 1:1, single-pole, single-throw (SPST) switches. Wide operating supply of 1.08 V to 5.5 V allows for use in a broad array of applications from medical equipment to industrial systems. The device supports bidirectional analog and digital signals on the source (Sx) and drain (Dx) pins ranging from GND to  $V_{DD}$ .

The switches of the TMUX1121 are turned on with Logic 1 on the appropriate logic control inputs, while Logic 0 is required to turn on switches in the TMUX1122. The two channels of the TMUX1123 are split with channel one supporting Logic 1, while channel two supports Logic 0. The TMUX1123 exhibits break-before-make switching, allowing the device to be used in cross-point switching applications.

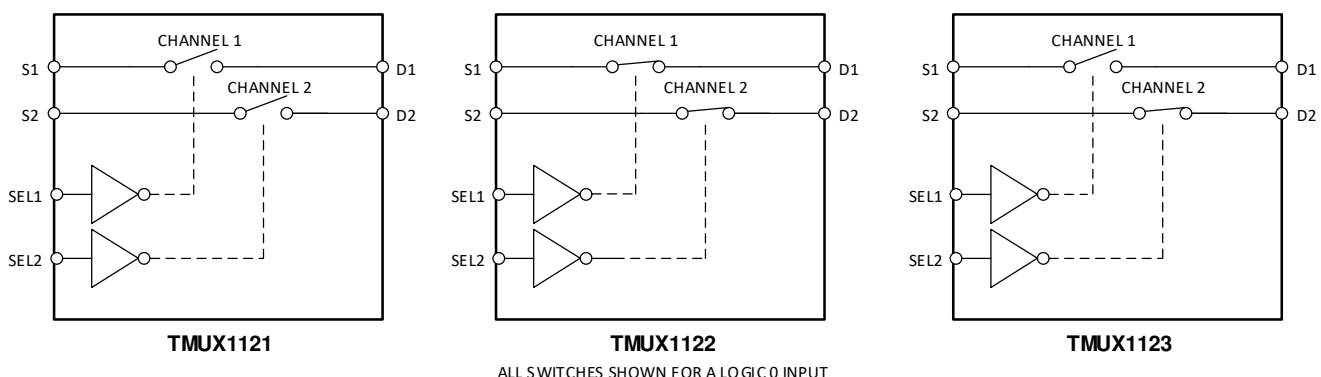
The TMUX112x devices are part of the precision switches and multiplexers family. These devices have very low on and off leakage currents and low charge injection, allowing them to be used in high precision measurement applications. A low supply current of 7 nA and small package options enable use in portable applications.

#### Device Information<sup>(1)</sup>

PART NUMBER	PACKAGE	BODY SIZE (NOM)
TMUX1121 TMUX1122 TMUX1123	VSSOP (8) (DGK)	3.00 mm x 3.00 mm

(1) For all available packages, see the package option addendum at the end of the data sheet.

#### TMUX112x Block Diagrams



## Table of Contents

<b>1 Features</b> .....	<b>1</b>	8.8 Channel-to-Channel Crosstalk .....	<b>19</b>
<b>2 Applications</b> .....	<b>1</b>	8.9 Bandwidth .....	<b>20</b>
<b>3 Description</b> .....	<b>1</b>	<b>9 Detailed Description</b> .....	<b>21</b>
<b>4 Revision History</b> .....	<b>2</b>	9.1 Overview .....	<b>21</b>
<b>5 Device Comparison Table</b> .....	<b>3</b>	9.2 Functional Block Diagram .....	<b>21</b>
<b>6 Pin Configuration and Functions</b> .....	<b>3</b>	9.3 Feature Description .....	<b>21</b>
<b>7 Specifications</b> .....	<b>4</b>	9.4 Device Functional Modes .....	<b>23</b>
7.1 Absolute Maximum Ratings .....	<b>4</b>	<b>10 Application and Implementation</b> .....	<b>24</b>
7.2 ESD Ratings .....	<b>4</b>	10.1 Application Information .....	<b>24</b>
7.3 Recommended Operating Conditions .....	<b>4</b>	10.2 Typical Application - Sample-and-Hold Circuit .....	<b>24</b>
7.4 Thermal Information .....	<b>4</b>	10.3 Typical Application - Switched Gain Amplifier .....	<b>26</b>
7.5 Electrical Characteristics ( $V_{DD} = 5\text{ V} \pm 10\%$ ) .....	<b>5</b>	<b>11 Power Supply Recommendations</b> .....	<b>28</b>
7.6 Electrical Characteristics ( $V_{DD} = 3.3\text{ V} \pm 10\%$ ) .....	<b>7</b>	<b>12 Layout</b> .....	<b>28</b>
7.7 Electrical Characteristics ( $V_{DD} = 1.8\text{ V} \pm 10\%$ ) .....	<b>9</b>	12.1 Layout Guidelines .....	<b>28</b>
7.8 Electrical Characteristics ( $V_{DD} = 1.2\text{ V} \pm 10\%$ ) .....	<b>11</b>	12.2 Layout Example .....	<b>29</b>
7.9 Typical Characteristics .....	<b>13</b>	<b>13 Device and Documentation Support</b> .....	<b>30</b>
<b>8 Parameter Measurement Information</b> .....	<b>16</b>	13.1 Documentation Support .....	<b>30</b>
8.1 On-resistance .....	<b>16</b>	13.2 Related Links .....	<b>30</b>
8.2 Off-leakage current .....	<b>16</b>	13.3 Receiving Notification of Documentation Updates .....	<b>30</b>
8.3 On-leakage current .....	<b>17</b>	13.4 Community Resources .....	<b>30</b>
8.4 Transition time .....	<b>17</b>	13.5 Trademarks .....	<b>30</b>
8.5 Break-before-make .....	<b>18</b>	13.6 Electrostatic Discharge Caution .....	<b>30</b>
8.6 Charge injection .....	<b>18</b>	13.7 Glossary .....	<b>30</b>
8.7 Off isolation .....	<b>19</b>	<b>14 Mechanical, Packaging, and Orderable Information</b> .....	<b>31</b>

## 4 Revision History

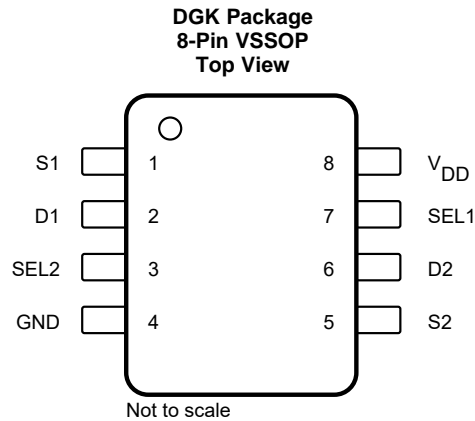
NOTE: Page numbers for previous revisions may differ from page numbers in the current version.

Changes from Original (August 2019) to Revision A	Page
• Changed the document From: <i>Advanced Information</i> To: <i>Production data</i> .....	<b>1</b>

## 5 Device Comparison Table

PRODUCT	DESCRIPTION
TMUX1121	Low-Leakage-Current, 1:1 (SPST), 2-Channel Precision Switches (Active High)
TMUX1122	Low-Leakage-Current, 1:1 (SPST), 2-Channel Precision Switches (Active Low)
TMUX1123	Low-Leakage-Current, 1:1 (SPST), 2-Channel Precision Switches (Active High + Active Low)

## 6 Pin Configuration and Functions



### Pin Functions

PIN		TYPE <sup>(1)</sup>	DESCRIPTION <sup>(2)</sup>
NAME	NO.		
S1	1	I/O	Source pin 1. Can be an input or output.
D1	2	I/O	Drain pin 1. Can be an input or output.
SEL2	3	I	Logic control select pin 2. Controls channel 2 state as shown in <a href="#">Truth Tables</a> .
GND	4	P	Ground (0 V) reference
S2	5	I/O	Source pin 2. Can be an input or output.
D2	6	I/O	Drain pin 2. Can be an input or output.
SEL1	7	I	Logic control select pin 1. Controls channel 1 state as shown in <a href="#">Truth Tables</a> .
V <sub>DD</sub>	8	P	Positive power supply. This pin is the most positive power-supply potential. For reliable operation, connect a decoupling capacitor ranging from 0.1 $\mu$ F to 10 $\mu$ F between V <sub>DD</sub> and GND.

(1) I = input, O = output, I/O = input and output, P = power

(2) Refer to [Device Functional Modes](#) for what to do with unused pins

## 7 Specifications

### 7.1 Absolute Maximum Ratings

 over operating free-air temperature range (unless otherwise noted) <sup>(1)</sup> <sup>(2)</sup> <sup>(3)</sup>

		MIN	MAX	UNIT
V <sub>DD</sub>	Supply voltage	-0.5	6	V
V <sub>SEL</sub>	Logic control input pin voltage (SELx)	-0.5	6	V
I <sub>SEL</sub>	Logic control input pin current (SELx)	-30	30	mA
V <sub>S</sub> or V <sub>D</sub>	Source or drain voltage (Sx, Dx)	-0.5	V <sub>DD</sub> +0.5	V
I <sub>S</sub> or I <sub>D</sub> (CONT)	Source or drain continuous current (Sx, Dx)	-30	30	mA
T <sub>stg</sub>	Storage temperature	-65	150	°C
T <sub>J</sub>	Junction temperature		150	°C

- (1) Stresses beyond those listed under *Absolute Maximum Rating* may cause permanent damage to the device. These are stress ratings only, which do not imply functional operation of the device at these or any other conditions beyond those indicated under *Recommended Operating Condition*. Exposure to absolute-maximum-rated conditions for extended periods may affect device reliability.
- (2) The algebraic convention, whereby the most negative value is a minimum and the most positive value is a maximum.
- (3) All voltages are with respect to ground, unless otherwise specified.

### 7.2 ESD Ratings

			VALUE	UNIT
V <sub>(ESD)</sub>	Electrostatic discharge	Human body model (HBM), per ANSI/ESDA/JEDEC JS-001, all pins <sup>(1)</sup>	±2000	V
		Charged device model (CDM), per JEDEC specification JESD22-C101, all pins <sup>(2)</sup>	±750	

- (1) JEDEC document JEP155 states that 500-V HBM allows safe manufacturing with a standard ESD control process.
- (2) JEDEC document JEP157 states that 250-V CDM allows safe manufacturing with a standard ESD control process.

### 7.3 Recommended Operating Conditions

over operating free-air temperature range (unless otherwise noted)

		MIN	NOM	MAX	UNIT
V <sub>DD</sub>	Positive power supply voltage	1.08		5.5	V
V <sub>S</sub> or V <sub>D</sub>	Signal path input/output voltage (source or drain pins: Sx, Dx)	0		V <sub>DD</sub>	V
V <sub>SEL</sub>	Logic control input pin voltage (SELx)	0		5.5	V
I <sub>S</sub> or I <sub>D</sub>	Signal path continuous current (source or drain pins: Sx, Dx)	-30		30	mA
T <sub>A</sub>	Ambient temperature	-40		125	°C

### 7.4 Thermal Information

THERMAL METRIC <sup>(1)</sup>		TMUX1121 / TMUX1122 / TMUX1123	UNIT
		DGK (VSSOP)	
		8 PINS	
R <sub>θJA</sub>	Junction-to-ambient thermal resistance	205.5	°C/W
R <sub>θJC(top)</sub>	Junction-to-case (top) thermal resistance	91.7	°C/W
R <sub>θJB</sub>	Junction-to-board thermal resistance	127.0	°C/W
Ψ <sub>JT</sub>	Junction-to-top characterization parameter	25.9	°C/W
Ψ <sub>JB</sub>	Junction-to-board characterization parameter	125.3	°C/W
R <sub>θJC(bot)</sub>	Junction-to-case (bottom) thermal resistance	N/A	°C/W

- (1) For more information about traditional and new thermal metrics, see the [Semiconductor and IC Package Thermal Metrics](#) application report.

## 7.5 Electrical Characteristics ( $V_{DD} = 5\text{ V} \pm 10\%$ )

at  $T_A = 25^\circ\text{C}$ ,  $V_{DD} = 5\text{ V}$  (unless otherwise noted)

PARAMETER		TEST CONDITIONS	TA	MIN	TYP	MAX	UNIT	
<b>ANALOG SWITCH</b>								
$R_{ON}$	On-resistance	$V_S = 0\text{ V to }V_{DD}$ $I_{SD} = 10\text{ mA}$ Refer to <a href="#">On-resistance</a>	25°C	1.9		4	$\Omega$	
			–40°C to +85°C			4.5	$\Omega$	
			–40°C to +125°C			4.9	$\Omega$	
$\Delta R_{ON}$	On-resistance matching between channels	$V_S = 0\text{ V to }V_{DD}$ $I_{SD} = 10\text{ mA}$ Refer to <a href="#">On-resistance</a>	25°C	0.13			$\Omega$	
			–40°C to +85°C			0.4	$\Omega$	
			–40°C to +125°C			0.5	$\Omega$	
$R_{ON\ FLAT}$	On-resistance flatness	$V_S = 0\text{ V to }V_{DD}$ $I_{SD} = 10\text{ mA}$ Refer to <a href="#">On-resistance</a>	25°C	0.85			$\Omega$	
			–40°C to +85°C			1.6	$\Omega$	
			–40°C to +125°C			1.6	$\Omega$	
$I_{S(OFF)}$	Source off leakage current <sup>(1)</sup>	$V_{DD} = 5\text{ V}$ Switch Off $V_D = 4.5\text{ V} / 1.5\text{ V}$ $V_S = 1.5\text{ V} / 4.5\text{ V}$ Refer to <a href="#">Off-leakage current</a>	25°C	–0.08	$\pm 0.003$	0.08	nA	
			–40°C to +85°C			–0.3	0.3	nA
			–40°C to +125°C			–0.9	0.9	nA
$I_{D(OFF)}$	Drain off leakage current <sup>(1)</sup>	$V_{DD} = 5\text{ V}$ Switch Off $V_D = 4.5\text{ V} / 1.5\text{ V}$ $V_S = 1.5\text{ V} / 4.5\text{ V}$ Refer to <a href="#">Off-leakage current</a>	25°C	–0.08	$\pm 0.003$	0.08	nA	
			–40°C to +85°C			–0.3	0.3	nA
			–40°C to +125°C			–0.9	0.9	nA
$I_{D(ON)}$ $I_{S(ON)}$	Channel on leakage current	$V_{DD} = 5\text{ V}$ Switch On $V_D = V_S = 4.5\text{ V} / 1.5\text{ V}$ Refer to <a href="#">On-leakage current</a>	25°C	–0.1	$\pm 0.003$	0.1	nA	
			–40°C to +85°C			–0.35	0.35	nA
			–40°C to +125°C			–2	2	nA
<b>LOGIC INPUTS (SELx)</b>								
$V_{IH}$	Input logic high		–40°C to +125°C	1.49		5.5	V	
$V_{IL}$	Input logic low		–40°C to +125°C	0		0.87	V	
$I_{IH}$ $I_{IL}$	Input leakage current		25°C		$\pm 0.005$		$\mu\text{A}$	
$I_{IH}$ $I_{IL}$	Input leakage current		–40°C to +125°C			$\pm 0.05$	$\mu\text{A}$	
$C_{IN}$	Logic input capacitance		25°C		1		pF	
$C_{IN}$	Logic input capacitance		–40°C to +125°C			2	pF	
<b>POWER SUPPLY</b>								
$I_{DD}$	$V_{DD}$ supply current	Logic inputs = 0 V or 5.5 V	25°C		0.007		$\mu\text{A}$	
			–40°C to +125°C			1	$\mu\text{A}$	

(1) When  $V_S$  is 4.5 V,  $V_D$  is 1.5 V or when  $V_S$  is 1.5 V,  $V_D$  is 4.5 V.

**Electrical Characteristics ( $V_{DD} = 5\text{ V} \pm 10\%$ ) (continued)**

 at  $T_A = 25^\circ\text{C}$ ,  $V_{DD} = 5\text{ V}$  (unless otherwise noted)

PARAMETER		TEST CONDITIONS	TA	MIN	TYP	MAX	UNIT
<b>DYNAMIC CHARACTERISTICS</b>							
$t_{\text{TRAN}}$	Transition time between channels	$V_S = 3\text{ V}$ $R_L = 200\ \Omega$ , $C_L = 15\text{ pF}$ Refer to <a href="#">Transition time</a>	25°C		12		ns
			–40°C to +85°C			17	ns
			–40°C to +125°C			18	ns
$t_{\text{OPEN}}$ (BBM)	Break before make time (TMUX1123 Only)	$V_S = 3\text{ V}$ $R_L = 200\ \Omega$ , $C_L = 15\text{ pF}$ Refer to <a href="#">Break-before-make</a>	25°C		8		ns
			–40°C to +85°C		1		ns
			–40°C to +125°C		1		ns
$Q_C$	Charge Injection	$V_S = 1\text{ V}$ $R_S = 0\ \Omega$ , $C_L = 1\text{ nF}$ Refer to <a href="#">Charge injection</a>	25°C		–1.5		pC
$O_{\text{ISO}}$	Off Isolation	$R_L = 50\ \Omega$ , $C_L = 5\text{ pF}$ $f = 1\text{ MHz}$ Refer to <a href="#">Off isolation</a>	25°C		–62		dB
		$R_L = 50\ \Omega$ , $C_L = 5\text{ pF}$ $f = 10\text{ MHz}$ Refer to <a href="#">Off isolation</a>	25°C		–40		dB
$X_{\text{TALK}}$	Crosstalk	$R_L = 50\ \Omega$ , $C_L = 5\text{ pF}$ $f = 1\text{ MHz}$ Refer to <a href="#">Channel-to-Channel Crosstalk</a>	25°C		–100		dB
		$R_L = 50\ \Omega$ , $C_L = 5\text{ pF}$ $f = 10\text{ MHz}$ Refer to <a href="#">Channel-to-Channel Crosstalk</a>	25°C		–90		dB
BW	Bandwidth	$R_L = 50\ \Omega$ , $C_L = 5\text{ pF}$ Refer to <a href="#">Bandwidth</a>	25°C		300		MHz
$C_{\text{SOFF}}$	Source off capacitance	$f = 1\text{ MHz}$	25°C		6		pF
$C_{\text{DOFF}}$	Drain off capacitance	$f = 1\text{ MHz}$	25°C		10		pF
$C_{\text{SON}}$ $C_{\text{DON}}$	On capacitance	$f = 1\text{ MHz}$	25°C		18		pF

## 7.6 Electrical Characteristics ( $V_{DD} = 3.3\text{ V} \pm 10\%$ )

at  $T_A = 25^\circ\text{C}$ ,  $V_{DD} = 3.3\text{ V}$  (unless otherwise noted)

PARAMETER		TEST CONDITIONS	TA	MIN	TYP	MAX	UNIT	
<b>ANALOG SWITCH</b>								
$R_{ON}$	On-resistance	$V_S = 0\text{ V to }V_{DD}$ $I_{SD} = 10\text{ mA}$ Refer to <a href="#">On-resistance</a>	25°C		3.7	8.8	$\Omega$	
			-40°C to +85°C			9.5	$\Omega$	
			-40°C to +125°C			9.8	$\Omega$	
$\Delta R_{ON}$	On-resistance matching between channels	$V_S = 0\text{ V to }V_{DD}$ $I_{SD} = 10\text{ mA}$ Refer to <a href="#">On-resistance</a>	25°C		0.13		$\Omega$	
			-40°C to +85°C			0.4	$\Omega$	
			-40°C to +125°C			0.5	$\Omega$	
$R_{ON\ FLAT}$	On-resistance flatness	$V_S = 0\text{ V to }V_{DD}$ $I_{SD} = 10\text{ mA}$ Refer to <a href="#">On-resistance</a>	25°C		1.9		$\Omega$	
			-40°C to +85°C			2	$\Omega$	
			-40°C to +125°C			2.2	$\Omega$	
$I_{S(OFF)}$	Source off leakage current <sup>(1)</sup>	$V_{DD} = 3.3\text{ V}$ Switch Off $V_D = 3\text{ V} / 1\text{ V}$ $V_S = 1\text{ V} / 3\text{ V}$ Refer to <a href="#">Off-leakage current</a>	25°C	-0.05	$\pm 0.001$	0.05	nA	
			-40°C to +85°C		-0.2		0.2	nA
			-40°C to +125°C		-0.9		0.9	nA
$I_{D(OFF)}$	Drain off leakage current <sup>(1)</sup>	$V_{DD} = 3.3\text{ V}$ Switch Off $V_D = 3\text{ V} / 1\text{ V}$ $V_S = 1\text{ V} / 3\text{ V}$ Refer to <a href="#">Off-leakage current</a>	25°C	-0.05	$\pm 0.001$	0.05	nA	
			-40°C to +85°C		-0.2		0.2	nA
			-40°C to +125°C		-0.9		0.9	nA
$I_{D(ON)}$ $I_{S(ON)}$	Channel on leakage current	$V_{DD} = 3.3\text{ V}$ Switch On $V_D = V_S = 3\text{ V} / 1\text{ V}$ Refer to <a href="#">On-leakage current</a>	25°C	-0.1	$\pm 0.003$	0.1	nA	
			-40°C to +85°C		-0.35		0.35	nA
			-40°C to +125°C		-2		2	nA
<b>LOGIC INPUTS (SELx)</b>								
$V_{IH}$	Input logic high		-40°C to +125°C		1.35	5.5	V	
$V_{IL}$	Input logic low		-40°C to +125°C		0	0.8	V	
$I_{IH}$ $I_{IL}$	Input leakage current		25°C		$\pm 0.005$		$\mu\text{A}$	
$I_{IH}$ $I_{IL}$	Input leakage current		-40°C to +125°C			$\pm 0.05$	$\mu\text{A}$	
$C_{IN}$	Logic input capacitance		25°C		1		pF	
$C_{IN}$	Logic input capacitance		-40°C to +125°C			2	pF	
<b>POWER SUPPLY</b>								
$I_{DD}$	$V_{DD}$ supply current	Logic inputs = 0 V or 5.5 V	25°C		0.004		$\mu\text{A}$	
			-40°C to +125°C			1	$\mu\text{A}$	

(1) When  $V_S$  is 3 V,  $V_D$  is 1 V or when  $V_S$  is 1 V,  $V_D$  is 3 V.

**Electrical Characteristics ( $V_{DD} = 3.3\text{ V} \pm 10\%$ ) (continued)**

 at  $T_A = 25^\circ\text{C}$ ,  $V_{DD} = 3.3\text{ V}$  (unless otherwise noted)

PARAMETER		TEST CONDITIONS	TA	MIN	TYP	MAX	UNIT
<b>DYNAMIC CHARACTERISTICS</b>							
$t_{\text{TRAN}}$	Transition time between channels	$V_S = 2\text{ V}$ $R_L = 200\ \Omega$ , $C_L = 15\text{ pF}$ Refer to <a href="#">Transition time</a>	25°C	14			ns
			–40°C to +85°C			20	ns
			–40°C to +125°C			22	ns
$t_{\text{OPEN}}$ (BBM)	Break before make time (TMUX1123 Only)	$V_S = 2\text{ V}$ $R_L = 200\ \Omega$ , $C_L = 15\text{ pF}$ Refer to <a href="#">Break-before-make</a>	25°C	9			ns
			–40°C to +85°C	1			ns
			–40°C to +125°C	1			ns
$Q_C$	Charge Injection	$V_S = 1\text{ V}$ $R_S = 0\ \Omega$ , $C_L = 1\text{ nF}$ Refer to <a href="#">Charge injection</a>	25°C		–1.5		pC
$O_{\text{ISO}}$	Off Isolation	$R_L = 50\ \Omega$ , $C_L = 5\text{ pF}$ $f = 1\text{ MHz}$ Refer to <a href="#">Off isolation</a>	25°C		–62		dB
		$R_L = 50\ \Omega$ , $C_L = 5\text{ pF}$ $f = 10\text{ MHz}$ Refer to <a href="#">Off isolation</a>	25°C		–40		dB
$X_{\text{TALK}}$	Crosstalk	$R_L = 50\ \Omega$ , $C_L = 5\text{ pF}$ $f = 1\text{ MHz}$ Refer to <a href="#">Channel-to-Channel Crosstalk</a>	25°C		–100		dB
		$R_L = 50\ \Omega$ , $C_L = 5\text{ pF}$ $f = 10\text{ MHz}$ Refer to <a href="#">Channel-to-Channel Crosstalk</a>	25°C		–90		dB
BW	Bandwidth	$R_L = 50\ \Omega$ , $C_L = 5\text{ pF}$ Refer to <a href="#">Bandwidth</a>	25°C		300		MHz
$C_{\text{SOFF}}$	Source off capacitance	$f = 1\text{ MHz}$	25°C		6		pF
$C_{\text{DOFF}}$	Drain off capacitance	$f = 1\text{ MHz}$	25°C		10		pF
$C_{\text{SON}}$ $C_{\text{DON}}$	On capacitance	$f = 1\text{ MHz}$	25°C		18		pF



## 7.7 Electrical Characteristics ( $V_{DD} = 1.8\text{ V} \pm 10\%$ )

at  $T_A = 25^\circ\text{C}$ ,  $V_{DD} = 1.8\text{ V}$  (unless otherwise noted)

PARAMETER		TEST CONDITIONS	TA	MIN	TYP	MAX	UNIT
<b>ANALOG SWITCH</b>							
$R_{ON}$	On-resistance	$V_S = 0\text{ V to }V_{DD}$ $I_{SD} = 10\text{ mA}$ Refer to <a href="#">On-resistance</a>	25°C	40			$\Omega$
			-40°C to +85°C			80	$\Omega$
			-40°C to +125°C			80	$\Omega$
$\Delta R_{ON}$	On-resistance matching between channels	$V_S = 0\text{ V to }V_{DD}$ $I_{SD} = 10\text{ mA}$ Refer to <a href="#">On-resistance</a>	25°C	0.4			$\Omega$
			-40°C to +85°C			1.5	$\Omega$
			-40°C to +125°C			1.5	$\Omega$
$I_{S(OFF)}$	Source off leakage current <sup>(1)</sup>	$V_{DD} = 1.98\text{ V}$ Switch Off $V_D = 1.62\text{ V} / 1\text{ V}$ $V_S = 1\text{ V} / 1.62\text{ V}$ Refer to <a href="#">Off-leakage current</a>	25°C	-0.05	$\pm 0.001$	0.05	nA
			-40°C to +85°C	-0.2		0.2	nA
			-40°C to +125°C	-0.9		0.9	nA
$I_{D(OFF)}$	Drain off leakage current <sup>(1)</sup>	$V_{DD} = 1.98\text{ V}$ Switch Off $V_D = 1.62\text{ V} / 1\text{ V}$ $V_S = 1\text{ V} / 1.62\text{ V}$ Refer to <a href="#">Off-leakage current</a>	25°C	-0.05	$\pm 0.001$	0.05	nA
			-40°C to +85°C	-0.2		0.2	nA
			-40°C to +125°C	-0.9		0.9	nA
$I_{D(ON)}$ $I_{S(ON)}$	Channel on leakage current	$V_{DD} = 1.98\text{ V}$ Switch On $V_D = V_S = 1.62\text{ V} / 1\text{ V}$ Refer to <a href="#">On-leakage current</a>	25°C	-0.1	$\pm 0.003$	0.1	nA
			-40°C to +85°C	-0.35		0.35	nA
			-40°C to +125°C	-2		2	nA
<b>LOGIC INPUTS (SELx)</b>							
$V_{IH}$	Input logic high		-40°C to +125°C	1.07		5.5	V
$V_{IL}$	Input logic low		-40°C to +125°C	0		0.68	V
$I_{IH}$ $I_{IL}$	Input leakage current		25°C	$\pm 0.005$			$\mu\text{A}$
			-40°C to +125°C			$\pm 0.05$	$\mu\text{A}$
$C_{IN}$	Logic input capacitance		25°C	1			pF
$C_{IN}$	Logic input capacitance		-40°C to +125°C			2	pF
<b>POWER SUPPLY</b>							
$I_{DD}$	$V_{DD}$ supply current	Logic inputs = 0 V or 5.5 V	25°C	0.001			$\mu\text{A}$
			-40°C to +125°C			0.85	$\mu\text{A}$

(1) When  $V_S$  is 1.62 V,  $V_D$  is 1 V or when  $V_S$  is 1 V,  $V_D$  is 1.62 V.

**Electrical Characteristics ( $V_{DD} = 1.8\text{ V} \pm 10\%$ ) (continued)**

 at  $T_A = 25^\circ\text{C}$ ,  $V_{DD} = 1.8\text{ V}$  (unless otherwise noted)

PARAMETER		TEST CONDITIONS	TA	MIN	TYP	MAX	UNIT
<b>DYNAMIC CHARACTERISTICS</b>							
$t_{\text{TRAN}}$	Transition time between channels	$V_S = 1\text{ V}$ $R_L = 200\ \Omega$ , $C_L = 15\text{ pF}$ Refer to <a href="#">Transition time</a>	25°C		25		ns
			–40°C to +85°C			44	ns
			–40°C to +125°C			44	ns
$t_{\text{OPEN}}$ (BBM)	Break before make time (TMUX1123 Only)	$V_S = 1\text{ V}$ $R_L = 200\ \Omega$ , $C_L = 15\text{ pF}$ Refer to <a href="#">Break-before-make</a>	25°C		17		ns
			–40°C to +85°C		1		ns
			–40°C to +125°C		1		ns
$Q_C$	Charge Injection	$V_S = 1\text{ V}$ $R_S = 0\ \Omega$ , $C_L = 1\text{ nF}$ Refer to <a href="#">Charge injection</a>	25°C		–0.5		pC
$O_{\text{ISO}}$	Off Isolation	$R_L = 50\ \Omega$ , $C_L = 5\text{ pF}$ $f = 1\text{ MHz}$ Refer to <a href="#">Off isolation</a>	25°C		–62		dB
		$R_L = 50\ \Omega$ , $C_L = 5\text{ pF}$ $f = 10\text{ MHz}$ Refer to <a href="#">Off isolation</a>	25°C		–40		dB
$X_{\text{TALK}}$	Crosstalk	$R_L = 50\ \Omega$ , $C_L = 5\text{ pF}$ $f = 1\text{ MHz}$ Refer to <a href="#">Channel-to-Channel Crosstalk</a>	25°C		–100		dB
		$R_L = 50\ \Omega$ , $C_L = 5\text{ pF}$ $f = 10\text{ MHz}$ Refer to <a href="#">Channel-to-Channel Crosstalk</a>	25°C		–90		dB
BW	Bandwidth	$R_L = 50\ \Omega$ , $C_L = 5\text{ pF}$ Refer to <a href="#">Bandwidth</a>	25°C		300		MHz
$C_{\text{SOFF}}$	Source off capacitance	$f = 1\text{ MHz}$	25°C		6		pF
$C_{\text{DOFF}}$	Drain off capacitance	$f = 1\text{ MHz}$	25°C		10		pF
$C_{\text{SON}}$ $C_{\text{DON}}$	On capacitance	$f = 1\text{ MHz}$	25°C		18		pF

**7.8 Electrical Characteristics ( $V_{DD} = 1.2\text{ V} \pm 10\%$ )**

PARAMETER		TEST CONDITIONS	TA	MIN	TYP	MAX	UNIT
<b>ANALOG SWITCH</b>							
$R_{ON}$	On-resistance	$V_S = 0\text{ V to }V_{DD}$ $I_{SD} = 10\text{ mA}$ Refer to <a href="#">On-resistance</a>	25°C	70			$\Omega$
			–40°C to +85°C			105	$\Omega$
			–40°C to +125°C			105	$\Omega$
$\Delta R_{ON}$	On-resistance matching between channels	$V_S = 0\text{ V to }V_{DD}$ $I_{SD} = 10\text{ mA}$ Refer to <a href="#">On-resistance</a>	25°C	0.4			$\Omega$
			–40°C to +85°C			1.5	$\Omega$
			–40°C to +125°C			1.5	$\Omega$
$I_{S(OFF)}$	Source off leakage current <sup>(1)</sup>	$V_{DD} = 1.32\text{ V}$ Switch Off $V_D = 1\text{ V} / 0.8\text{ V}$ $V_S = 0.8\text{ V} / 1\text{ V}$ Refer to <a href="#">Off-leakage current</a>	25°C	–0.05	$\pm 0.001$	0.05	nA
			–40°C to +85°C	–0.2		0.2	nA
			–40°C to +125°C	–0.9		0.9	nA
$I_{D(OFF)}$	Drain off leakage current <sup>(1)</sup>	$V_{DD} = 1.32\text{ V}$ Switch Off $V_D = 1\text{ V} / 0.8\text{ V}$ $V_S = 0.8\text{ V} / 1\text{ V}$ Refer to <a href="#">Off-leakage current</a>	25°C	–0.05	$\pm 0.001$	0.05	nA
			–40°C to +85°C	–0.2		0.2	nA
			–40°C to +125°C	–0.9		0.9	nA
$I_{D(ON)}$ $I_{S(ON)}$	Channel on leakage current	$V_{DD} = 1.32\text{ V}$ Switch On $V_D = V_S = 1\text{ V} / 0.8\text{ V}$ Refer to <a href="#">On-leakage current</a>	25°C	–0.1	$\pm 0.003$	0.1	nA
			–40°C to +85°C	–0.35		0.35	nA
			–40°C to +125°C	–2		2	nA
<b>LOGIC INPUTS (SELx)</b>							
$V_{IH}$	Input logic high		–40°C to +125°C	0.96		5.5	V
$V_{IL}$	Input logic low		–40°C to +125°C	0		0.36	V
$I_{IH}$ $I_{IL}$	Input leakage current		25°C	$\pm 0.005$			$\mu\text{A}$
			–40°C to +125°C			$\pm 0.05$	$\mu\text{A}$
$C_{IN}$	Logic input capacitance		25°C	1			pF
$C_{IN}$	Logic input capacitance		–40°C to +125°C			2	pF
<b>POWER SUPPLY</b>							
$I_{DD}$	$V_{DD}$ supply current	Logic inputs = 0 V or 5.5 V	25°C	0.001			$\mu\text{A}$
			–40°C to +125°C			0.7	$\mu\text{A}$

(1) When  $V_S$  is 1 V,  $V_D$  is 0.8 V or when  $V_S$  is 0.8 V,  $V_D$  is 1 V.

**Electrical Characteristics ( $V_{DD} = 1.2\text{ V} \pm 10\%$ ) (continued)**

PARAMETER		TEST CONDITIONS	TA	MIN	TYP	MAX	UNIT
<b>DYNAMIC CHARACTERISTICS</b>							
$t_{\text{TRAN}}$	Transition time between channels	$V_S = 1\text{ V}$ $R_L = 200\ \Omega$ , $C_L = 15\text{ pF}$ Refer to <a href="#">Transition time</a>	25°C		55		ns
			–40°C to +85°C			190	ns
			–40°C to +125°C			190	ns
$t_{\text{OPEN}}$ (BBM)	Break before make time (TMUX1123 Only)	$V_S = 1\text{ V}$ $R_L = 200\ \Omega$ , $C_L = 15\text{ pF}$ Refer to <a href="#">Break-before-make</a>	25°C		28		ns
			–40°C to +85°C		1		ns
			–40°C to +125°C		1		ns
$Q_C$	Charge Injection	$V_S = 1\text{ V}$ $R_S = 0\ \Omega$ , $C_L = 1\text{ nF}$ Refer to <a href="#">Charge injection</a>	25°C		–0.5		pC
$O_{\text{ISO}}$	Off Isolation	$R_L = 50\ \Omega$ , $C_L = 5\text{ pF}$ $f = 1\text{ MHz}$ Refer to <a href="#">Off isolation</a>	25°C		–62		dB
		$R_L = 50\ \Omega$ , $C_L = 5\text{ pF}$ $f = 10\text{ MHz}$ Refer to <a href="#">Off isolation</a>	25°C		–40		dB
$X_{\text{TALK}}$	Crosstalk	$R_L = 50\ \Omega$ , $C_L = 5\text{ pF}$ $f = 1\text{ MHz}$ Refer to <a href="#">Channel-to-Channel Crosstalk</a>	25°C		–100		dB
		$R_L = 50\ \Omega$ , $C_L = 5\text{ pF}$ $f = 10\text{ MHz}$ Refer to <a href="#">Channel-to-Channel Crosstalk</a>	25°C		–90		dB
BW	Bandwidth	$R_L = 50\ \Omega$ , $C_L = 5\text{ pF}$ Refer to <a href="#">Bandwidth</a>	25°C		300		MHz
$C_{\text{SOFF}}$	Source off capacitance	$f = 1\text{ MHz}$	25°C		6		pF
$C_{\text{DOFF}}$	Drain off capacitance	$f = 1\text{ MHz}$	25°C		10		pF
$C_{\text{SON}}$ $C_{\text{DON}}$	On capacitance	$f = 1\text{ MHz}$	25°C		18		pF

### 7.9 Typical Characteristics

at  $T_A = 25^\circ\text{C}$ ,  $V_{DD} = 5\text{ V}$  (unless otherwise noted)

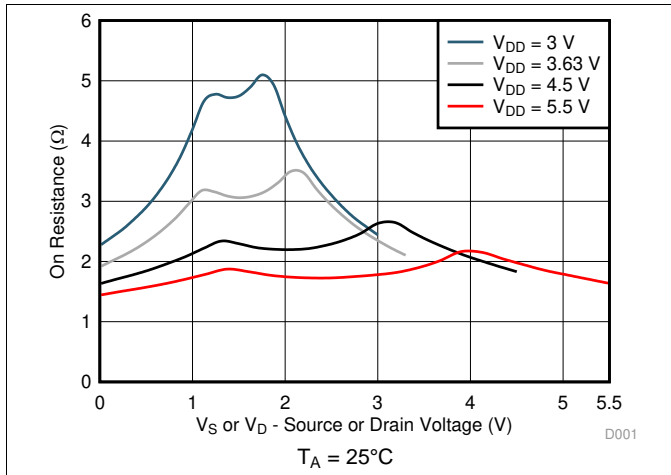


Figure 1. On-Resistance vs Source or Drain Voltage

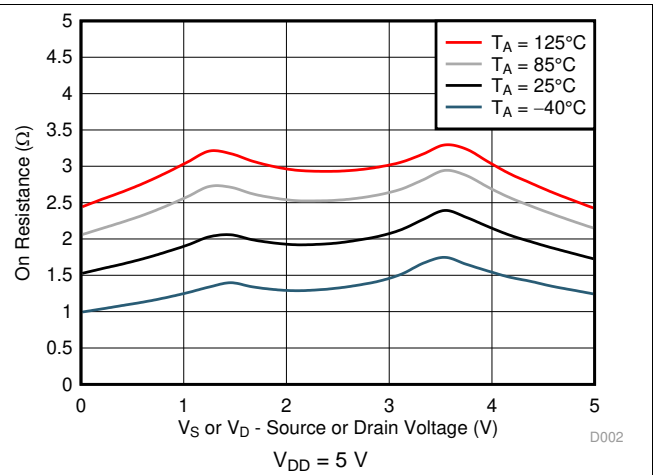


Figure 2. On-Resistance vs Temperature

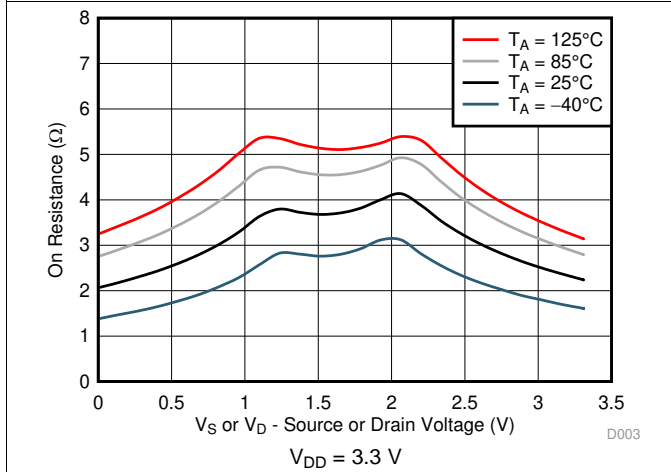


Figure 3. On-Resistance vs Temperature

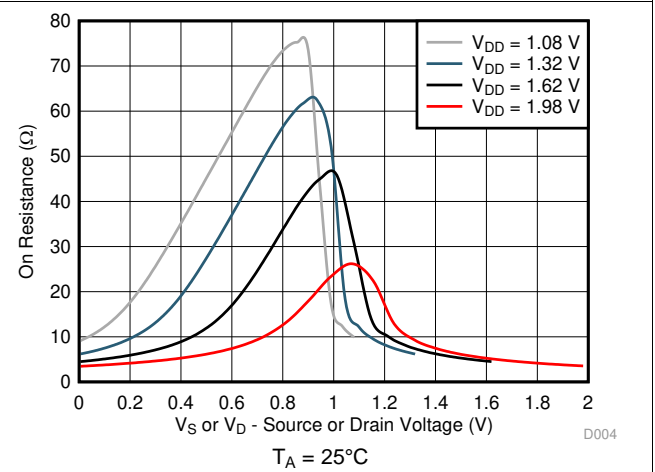


Figure 4. On-Resistance vs Source or Drain Voltage

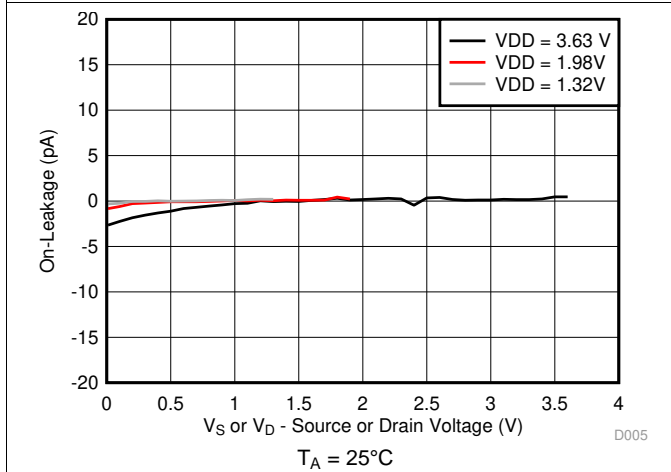


Figure 5. On-Leakage vs Source or Drain Voltage

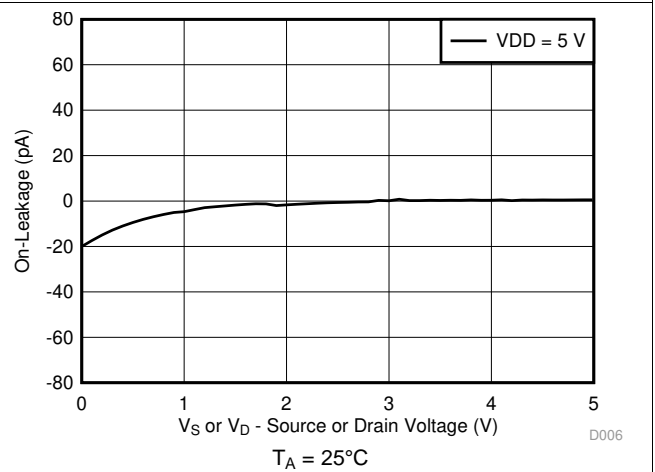


Figure 6. On-Leakage vs Source or Drain Voltage

Typical Characteristics (continued)

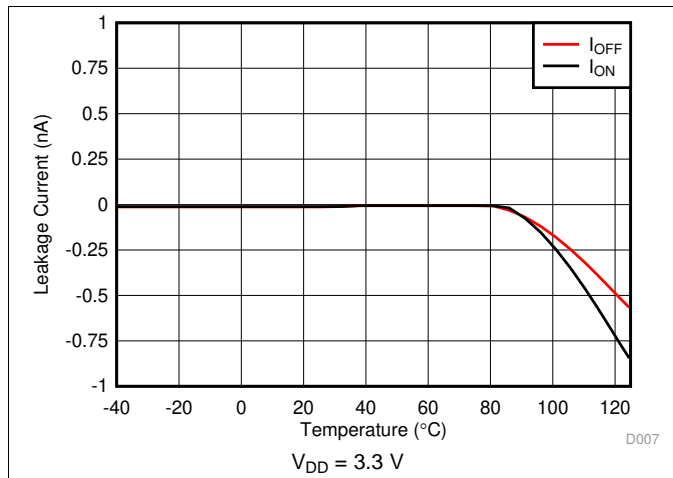


Figure 7. Leakage Current vs Temperature

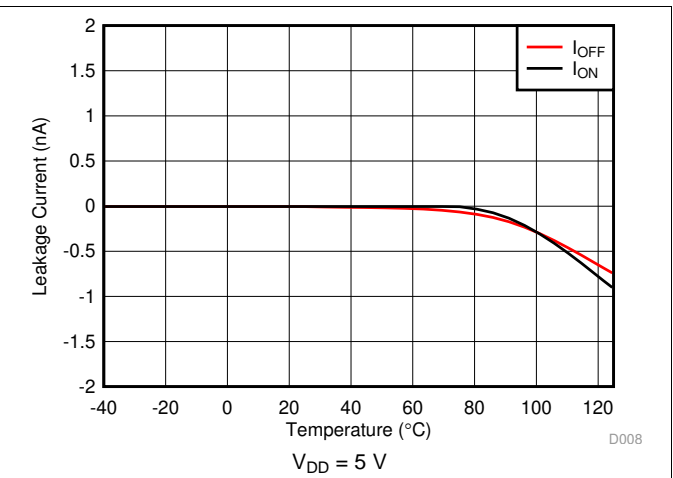


Figure 8. Leakage Current vs Temperature

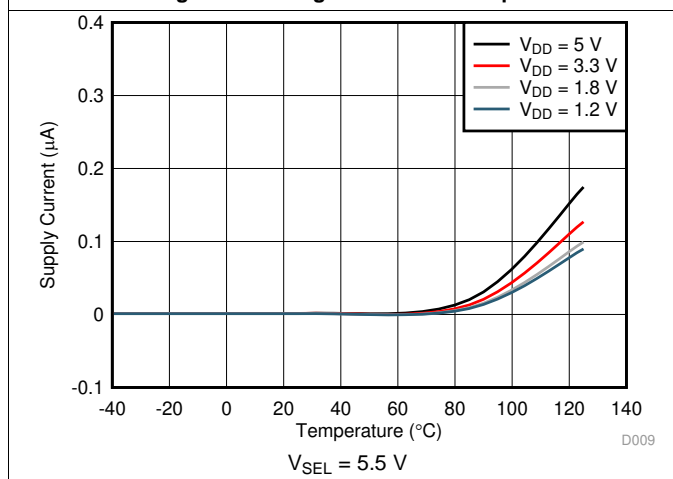


Figure 9. Supply Current vs Temperature

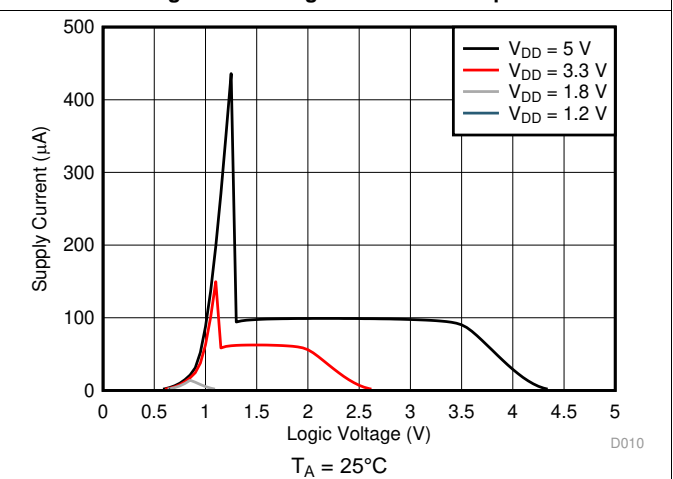


Figure 10. Supply Current vs Logic Voltage

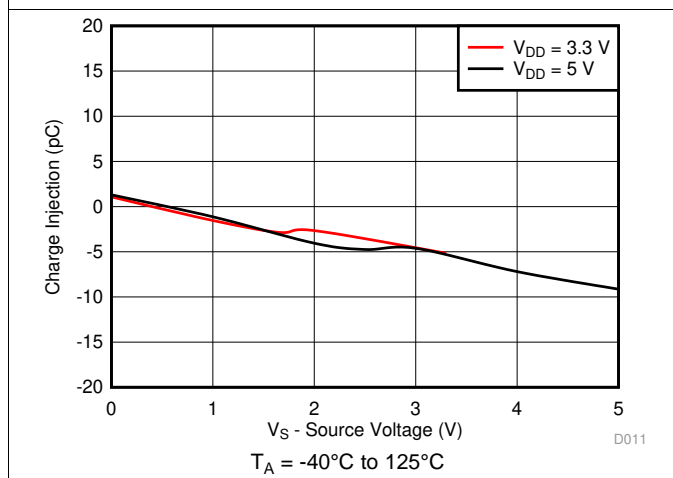


Figure 11. Charge Injection vs Source Voltage

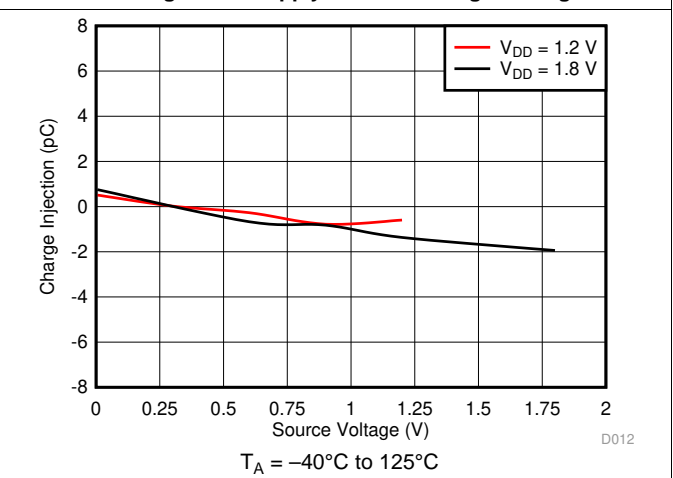


Figure 12. Charge Injection vs Source Voltage

Typical Characteristics (continued)

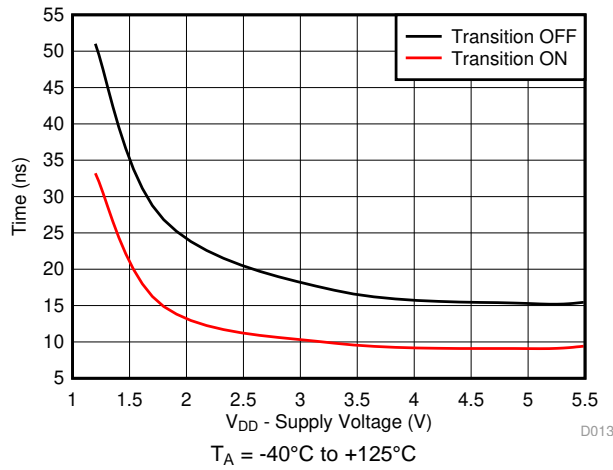


Figure 13. Output  $T_{\text{TRANSITION}}$  vs Supply Voltage

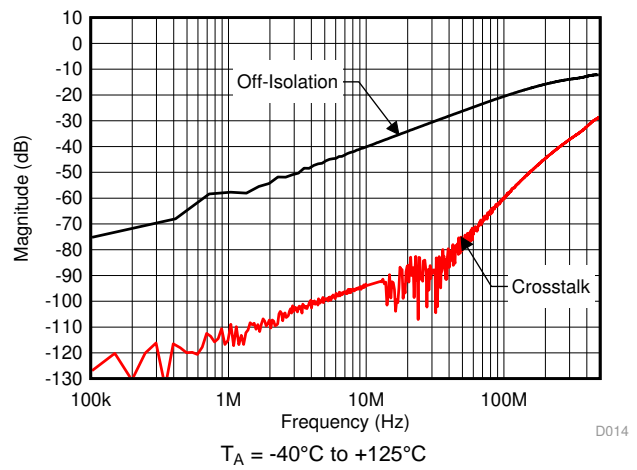


Figure 14. Off-Isolation vs Frequency

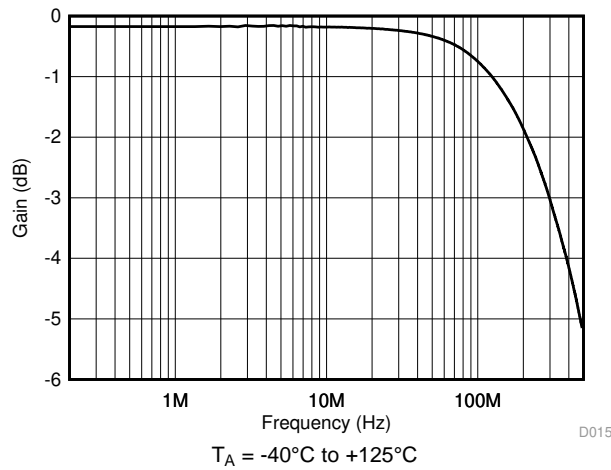
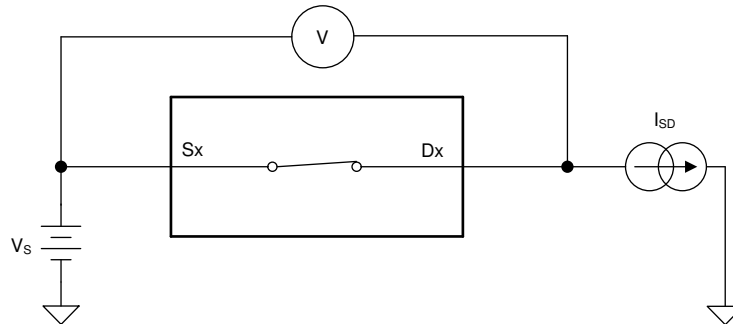


Figure 15. On Response vs Frequency

## 8 Parameter Measurement Information

### 8.1 On-resistance

The on-resistance of a device is the ohmic resistance between the source (Sx) and drain (Dx) pins of the device. The on-resistance varies with input voltage and supply voltage. The symbol  $R_{ON}$  is used to denote on-resistance. The measurement setup used to measure  $R_{ON}$  is shown in Figure 16. Voltage (V) and current ( $I_{SD}$ ) are measured using this setup, and  $R_{ON}$  is computed with  $R_{ON} = V / I_{SD}$ :



**Figure 16. On-Resistance measurement setup**

### 8.2 Off-leakage current

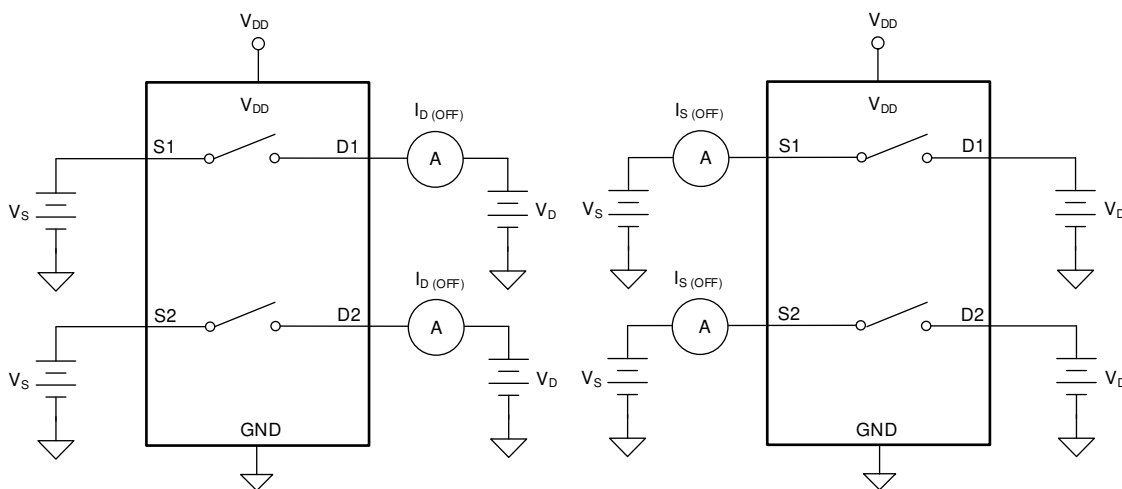
There are two types of leakage currents associated with a switch during the off state:

1. Source off-leakage current
2. Drain off-leakage current

Source leakage current is defined as the leakage current flowing into or out of the source pin when the switch is off. This current is denoted by the symbol  $I_{S(OFF)}$ .

Drain leakage current is defined as the leakage current flowing into or out of the drain pin when the switch is off. This current is denoted by the symbol  $I_{D(OFF)}$ .

The setup used to measure both off-leakage currents is shown in Figure 17.



**Figure 17. Off-leakage measurement setup**



### 8.3 On-leakage current

Source on-leakage current is defined as the leakage current flowing into or out of the source pin when the switch is on. This current is denoted by the symbol  $I_{S(ON)}$ .

Drain on-leakage current is defined as the leakage current flowing into or out of the drain pin when the switch is on. This current is denoted by the symbol  $I_{D(ON)}$ .

Either the source pin or drain pin is left floating during the measurement. Figure 18 shows the circuit used for measuring the on-leakage current, denoted by  $I_{S(ON)}$  or  $I_{D(ON)}$ .

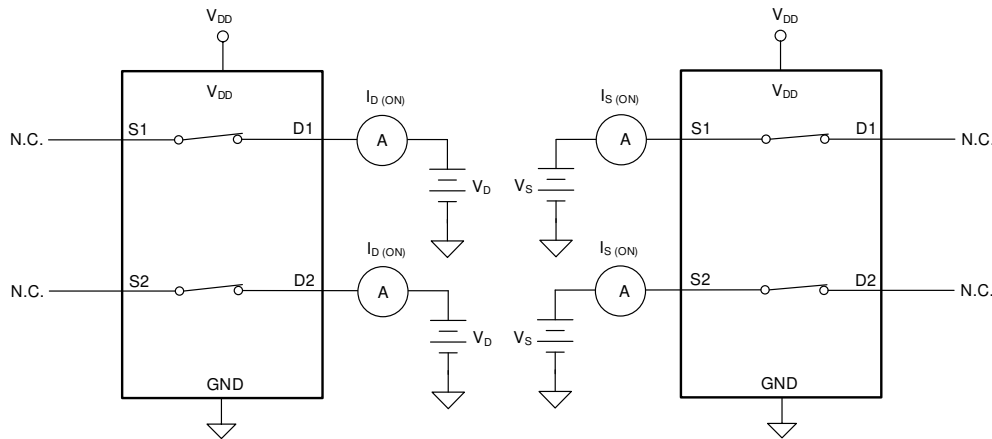


Figure 18. On-leakage measurement setup

### 8.4 Transition time

Transition time is defined as the time taken by the output of the device to rise or fall 10% after the address signal has risen or fallen past the logic threshold. The 10% transition measurement is utilized to provide the timing of the device. System level timing can then account for the time constant added from the load resistance and load capacitance. Figure 19 shows the setup used to measure transition time, denoted by the symbol  $t_{TRANSITION}$ .

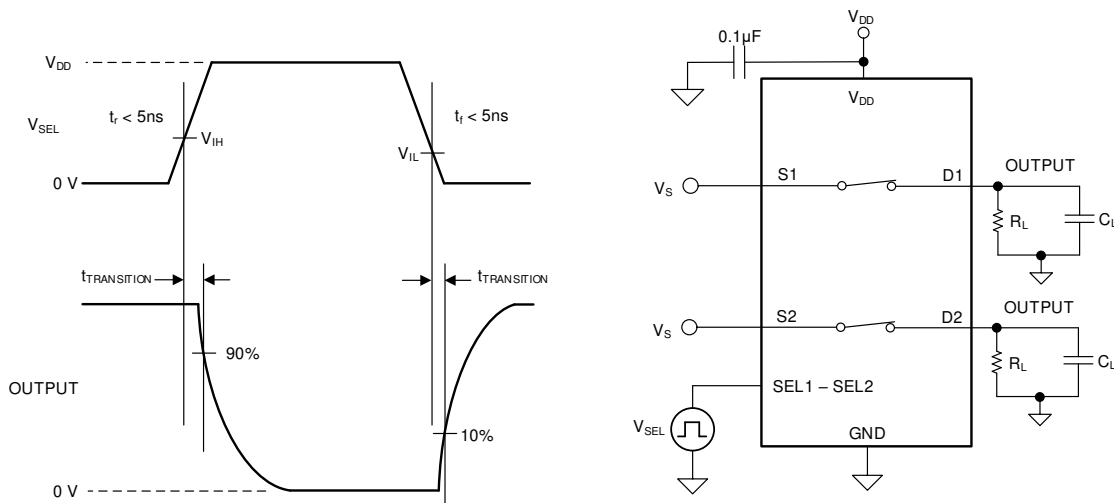


Figure 19. Transition-time measurement setup

### 8.5 Break-before-make

The TMUX1123 has break-before-make delay which allows the device to be used in cross-point switching application. The output first breaks from the on-state switch before making the connection with the next on-state switch. The time delay between the *break* and the *make* is known as break-before-make delay. Figure 20 shows the setup used to measure break-before-make delay, denoted by the symbol  $t_{OPEN(BBM)}$ .

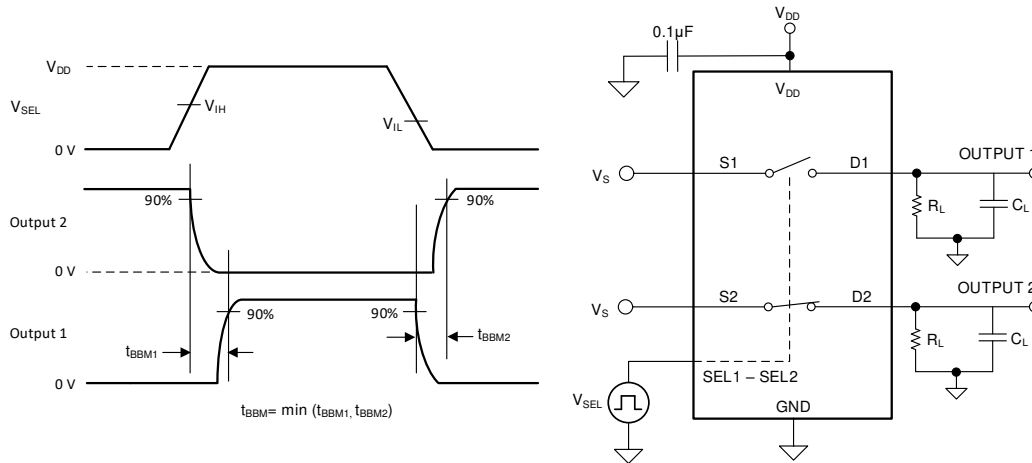


Figure 20. Break-before-make delay measurement setup

### 8.6 Charge injection

The TMUX112x devices have a transmission-gate topology. Any mismatch in capacitance between the NMOS and PMOS transistors results in a charge injected into the drain or source during the falling or rising edge of the gate signal. The amount of charge injected into the source or drain of the device is known as charge injection, and is denoted by the symbol  $Q_C$ . Figure 21 shows the setup used to measure charge injection from source (Sx) to drain (Dx).

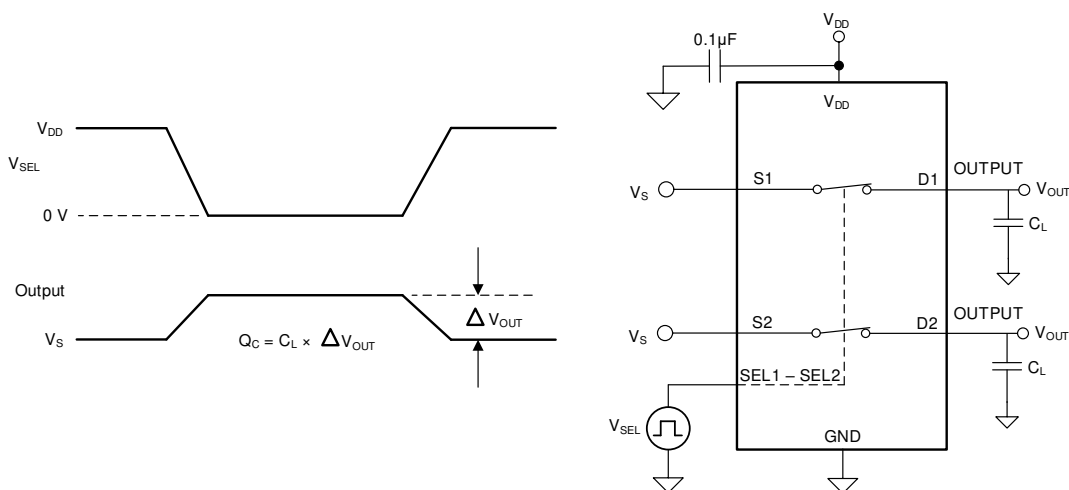
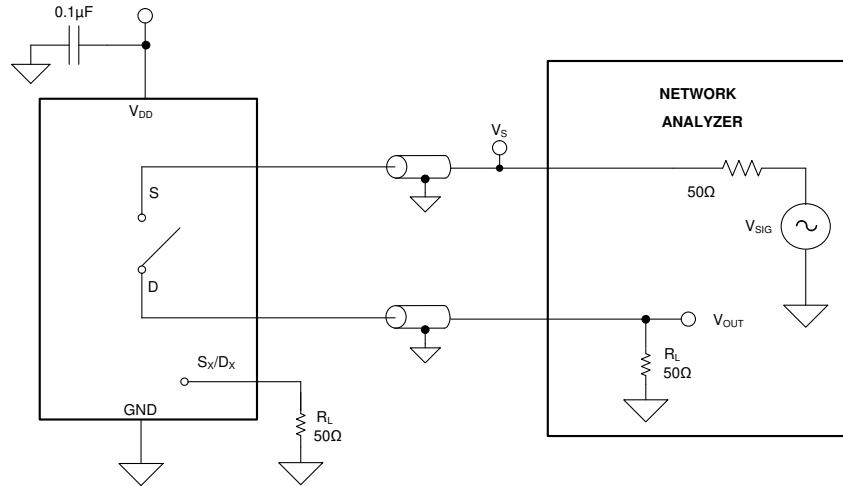


Figure 21. Charge-injection measurement setup

### 8.7 Off isolation

Off isolation is defined as the ratio of the signal at the drain pin (Dx) of the device when a signal is applied to the source pin (Sx) of an off-channel. The characteristic impedance,  $Z_0$ , for the measurement is 50 Ω. Figure 22 shows the setup used to measure off isolation. Use off isolation equation to compute off isolation.

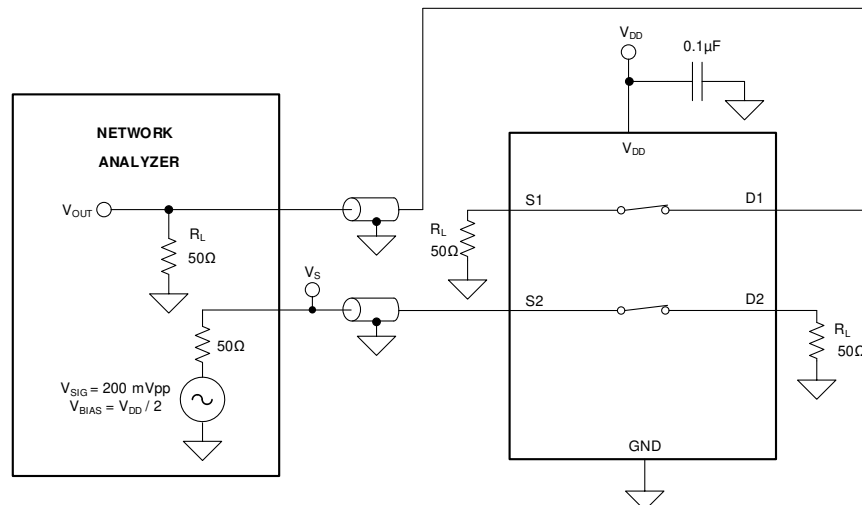


**Figure 22. Off isolation measurement setup**

$$\text{Off Isolation} = 20 \cdot \text{Log} \left( \frac{V_{\text{OUT}}}{V_{\text{S}}} \right) \tag{1}$$

### 8.8 Channel-to-Channel Crosstalk

Crosstalk is defined as the ratio of the signal at the drain pin (Dx) of a different channel, when a signal is applied at the source pin (Sx) of an on-channel. The characteristic impedance,  $Z_0$ , for the measurement is 50 Ω. Figure 23 shows the setup used to measure, and the equation used to compute crosstalk.

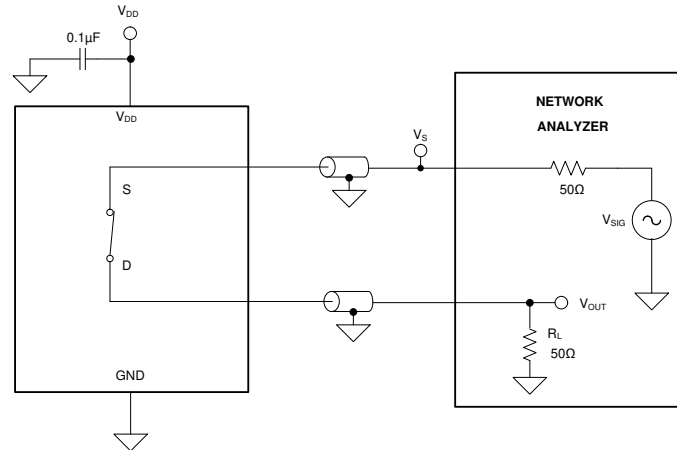


**Figure 23. Channel-to-Channel Crosstalk Measurement Setup**

$$\text{Channel-to-Channel Crosstalk} = 20 \cdot \text{Log} \left( \frac{V_{\text{OUT}}}{V_{\text{S}}} \right) \tag{2}$$

## 8.9 Bandwidth

Bandwidth is defined as the range of frequencies that are attenuated by less than 3 dB when the input is applied to the source pin (Sx) of an on-channel, and the output is measured at the drain pin (Dx) of the device. The characteristic impedance,  $Z_0$ , for the measurement is  $50\ \Omega$ . Figure 24 shows the setup used to measure bandwidth.



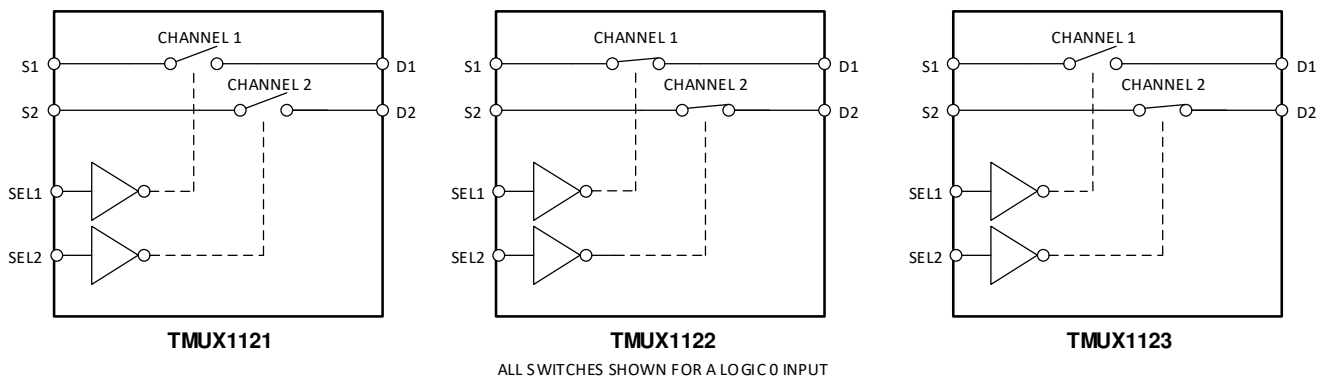
**Figure 24. Bandwidth measurement setup**

## 9 Detailed Description

### 9.1 Overview

The TMUX1121, TMUX1122, and TMUX1123 are 1:1 (SPST), 2-Channel switches. The devices have two independently selectable single-pole, single-throw switches that are turned-on or turned-off based on the state of the corresponding select pin.

### 9.2 Functional Block Diagram



**Figure 25. TMUX112x Functional Block Diagram**

### 9.3 Feature Description

#### 9.3.1 Bidirectional operation

The TMUX112x conducts equally well from source (Sx) to drain (Dx) or from drain (Dx) to source (Sx). Each channel has very similar characteristics in both directions and supports both analog and digital signals.

#### 9.3.2 Rail to rail operation

The valid signal path input/output voltage for TMUX112x ranges from GND to  $V_{DD}$ .

#### 9.3.3 1.8 V Logic compatible inputs

The TMUX112x devices have 1.8-V logic compatible control for all logic control inputs. The logic input thresholds scale with supply but still provide 1.8-V logic control when operating at 5.5 V supply voltage. 1.8-V logic level inputs allows the TMUX112x devices to interface with processors that have lower logic I/O rails and eliminates the need for an external translator, which saves both space and BOM cost. The current consumption of the TMUX112x devices increase when using 1.8V logic with higher supply voltage as shown in [Figure 10](#). For more information on 1.8 V logic implementations refer to [Simplifying Design with 1.8 V logic Muxes and Switches](#)

#### 9.3.4 Fail-safe logic

The TMUX112x supports Fail-Safe Logic on the control input pins (EN, A0, A1) allowing for operation up to 5.5 V, regardless of the state of the supply pin. This feature allows voltages on the control pins to be applied before the supply pin, protecting the device from potential damage. Fail-Safe Logic minimizes system complexity by removing the need for power supply sequencing on the logic control pins. For example, the Fail-Safe Logic feature allows the select pins of the TMUX112x to be ramped to 5.5 V while  $V_{DD} = 0$  V. Additionally, the feature enables operation of the TMUX112x with  $V_{DD} = 1.2$  V while allowing the select pins to interface with a logic level of another device up to 5.5 V.

## Feature Description (continued)

### 9.3.5 Ultra-low Leakage Current

The TMUX112x devices provide extremely low on-leakage and off-leakage currents. The TMUX112x devices are capable of switching signals from high source-impedance inputs into a high input-impedance op amp with minimal offset error because of the ultra-low leakage currents. Figure 26 shows typical leakage currents of the TMUX112x devices versus temperature at  $V_{DD} = 5V$ .

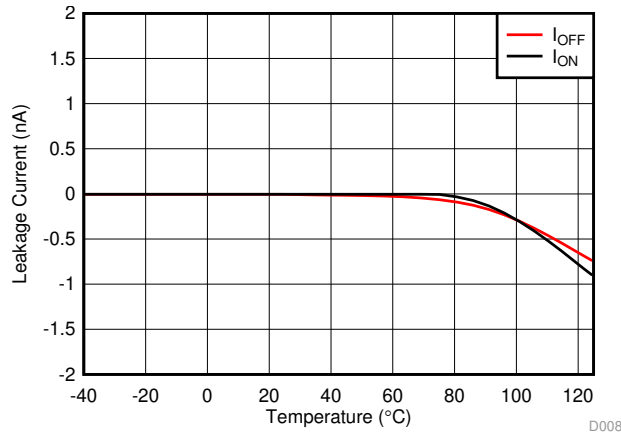


Figure 26. Leakage Current vs Temperature

### 9.3.6 Ultra-low Charge Injection

The TMUX112x devices have a transmission gate topology, as shown in Figure 27. Any mismatch in the stray capacitance associated with the NMOS and PMOS causes an output level change whenever the switch is opened or closed.

The TMUX112x devices have special charge-injection cancellation circuitry that reduces the source-to-drain charge injection to  $-1.5 \text{ pC}$  at  $V_S = 1 \text{ V}$  as shown in Figure 28.

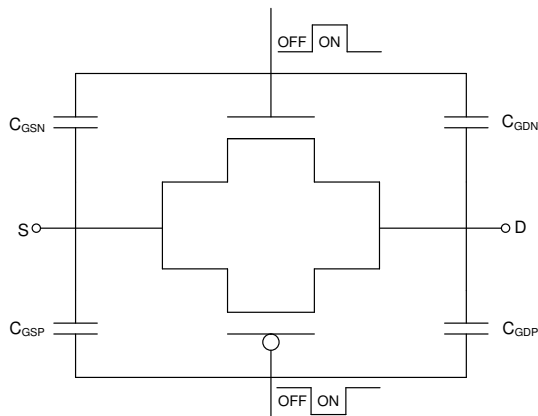


Figure 27. Transmission Gate Topology

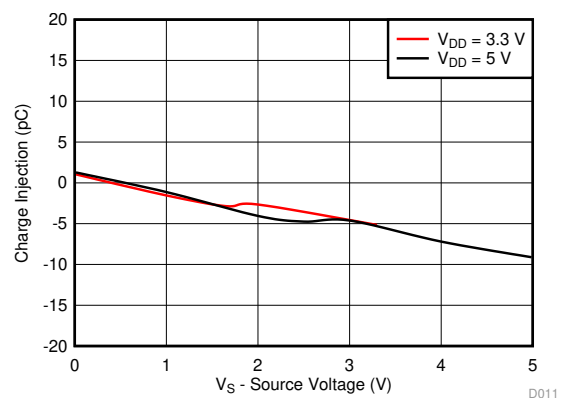


Figure 28. Charge Injection vs Source Voltage

## 9.4 Device Functional Modes

The TMUX112x devices have two independently selectable single-pole, single-throw switches that are turned-on or turned-off based on the state of the corresponding select pin. The control pins can be as high as 5.5 V.

The TMUX112x devices can be operated without any external components except for the supply decoupling capacitors. Unused logic control pins should be tied to GND or  $V_{DD}$  in order to ensure the device does not consume additional current as highlighted in *Implications of Slow or Floating CMOS Inputs*. Unused signal path inputs (Sx or Dx) should be connected to GND.

### 9.4.1 Truth Tables

Table 1, Table 2, and Table 3 show the truth tables for the TMUX1121, TMUX1122, and TMUX1123, respectively.

**Table 1. TMUX1121 Truth table<sup>(1)</sup>**

SEL1	SEL2	CHANNEL STATE
0	X	Channel 1 OFF
1	X	Channel 1 ON
X	0	Channel 2 OFF
X	1	Channel 2 ON

(1) X denotes *don't care*.

**Table 2. TMUX1122 Truth table<sup>(1)</sup>**

SEL1	SEL2	CHANNEL STATE
0	X	Channel 1 ON
1	X	Channel 1 OFF
X	0	Channel 2 ON
X	1	Channel 2 OFF

(1) X denotes *don't care*.

**Table 3. TMUX1123 Truth table<sup>(1)</sup>**

SEL1	SEL2	CHANNEL STATE
0	X	Channel 1 OFF
1	X	Channel 1 ON
X	0	Channel 2 ON
X	1	Channel 2 OFF

(1) X denotes *don't care*.

## 10 Application and Implementation

### NOTE

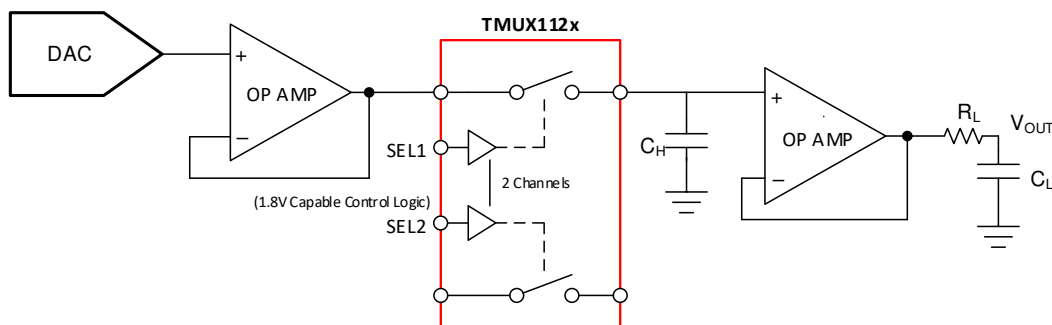
Information in the following applications sections is not part of the TI component specification, and TI does not warrant its accuracy or completeness. TI's customers are responsible for determining suitability of components for their purposes. Customers should validate and test their design implementation to confirm system functionality.

### 10.1 Application Information

The TMUX11xx family offers ultra-low input/output leakage currents and low charge injection. These devices operate up to 5.5 V, and offer true rail-to-rail input and output of both analog and digital signals. The TMUX112x have a low on-capacitance which allows faster settling time when multiplexing inputs in the time domain. These features make the TMUX11xx devices a family of precision, high-performance switches and multiplexers for low-voltage applications.

### 10.2 Typical Application - Sample-and-Hold Circuit

One useful application to take advantage of the TMUX1121, TMUX1122, and TMUX1123 performance is the sample-and-hold circuit. A sample-and-hold circuit can be useful for an analog to digital converter (ADC) to sample a varying input voltage with improved reliability and stability. It can also be used to store the output samples from a single digital-to-analog converter (DAC) in a multi-output application. A simple sample-and-hold circuit can be realized using an analog switch such as the TMUX1121, TMUX1122, and TMUX1123 analog switches. [Figure 29](#) shows a single channel sample-and hold circuit using only 1 of 2 channels in the TMUX112x devices.



**Figure 29. Single Channel Sample-and-Hold Circuit Example**

An optional operational amplifier is used before the switch since buffered DACs typically have limitations in driving capacitive loads. The additional buffer stage is included following the DAC to prevent potential stability problems from driving a large capacitive load.

Ideally, the switch delivers only the input signals to the holding capacitors. However, when the switch gets toggled, some amount of charge also gets transferred to the switch output in the form of charge injection, resulting in a pedestal sampling error. The TMUX1121, TMUX1122, and TMUX1123 switches have excellent charge injection performance of only -1.5 pC, making them ideal choices for this implementation to minimize sampling error. The pedestal error voltage is indirectly related to the size of the capacitance on the output, for better precision a larger capacitor is required due to charge injection. Larger capacitance limits the system settling time which may not be acceptable in some applications. [Figure 30](#) shows a TMUX112x device configured for a 2-channel sample-and-hold circuit with pedestal error compensation.



## Typical Application - Sample-and-Hold Circuit (continued)

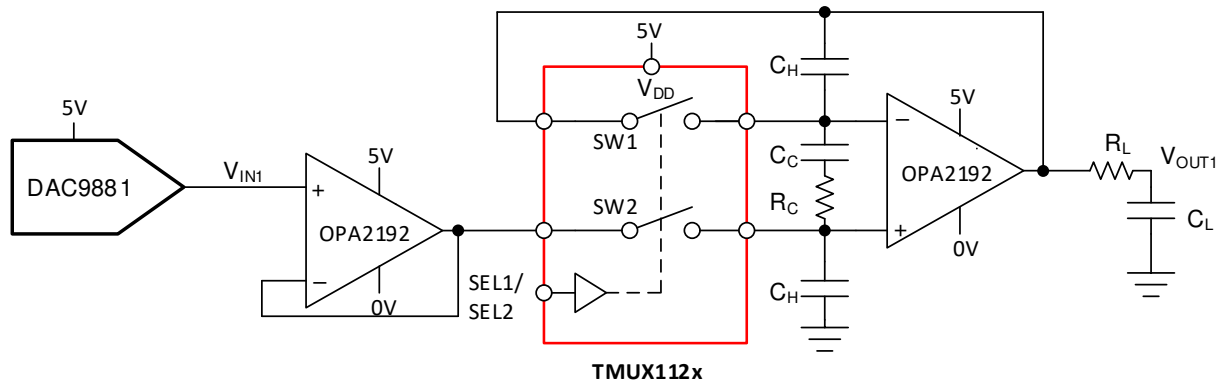


Figure 30. 2-Channel Sample-and-Hold Circuit with Pedestal Error Compensation

### 10.2.1 Design Requirements

The purpose of this precision design is to implement an optimized 2-output sample-and-hold circuit using a 2-channel 1:1 (SPST) switch. The sample and hold circuit needs to be capable of supporting high accuracy with minimized pedestal error and fast settling time..

### 10.2.2 Detailed Design Procedure

The TMUX1121, TMUX1122, or TMUX1123 switch is used in conjunction with the voltage holding capacitors ( $C_H$ ) to implement the sample-and-hold circuit. The basic operation is:

1. When the switch (SW2) is closed, it samples the input voltage and charges the holding capacitors ( $C_H$ ) to the input voltages values.
2. When the switch (SW2) is open, the holding capacitors ( $C_H$ ) holds its previous value, maintaining stable voltage at the amplifier output ( $V_{OUT}$ ).

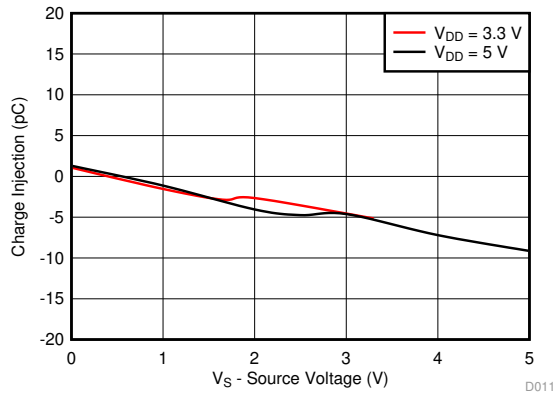
Due to switch and capacitor leakage current, as well as amplifier bias current, the voltage on the hold capacitors droops with time. The TMUX1121, TMUX1122, or TMUX1123 minimize the droops due to its ultra-low leakage performance. At 25°C, the TMUX1121, TMUX1122, and TMUX1123 have extremely low leakage current at 3 pA typical.

A second switch SW1 is also included to operate in parallel with SW2 to reduce pedestal error during switch toggling. Because both switches are driven at the same potential, they act as common-mode signal to the op-amp, thereby minimizing the charge injection effects caused by the switch toggling action. Compensation network consisting of  $R_C$  and  $C_C$  is also added to further reduce the pedestal error, while reducing the hold-time glitch and improving the settling time of the circuit. Refer to [Sample & Hold Glitch Reduction for Precision Outputs Reference Design](#) for more information on sample-and-hold circuits.

## Typical Application - Sample-and-Hold Circuit (continued)

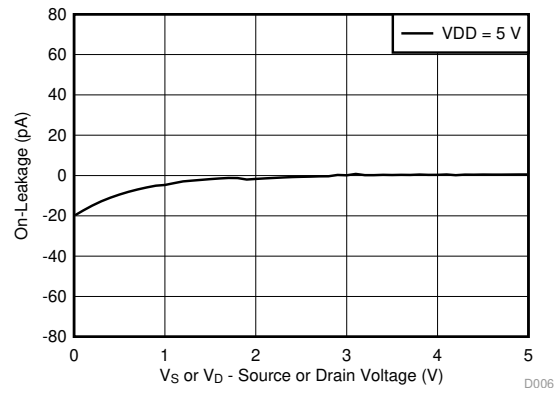
### 10.2.3 Application Curve

TMUX1121, TMUX1122, and TMUX1123 have excellent charge injection performance and ultra-low leakage current, making them ideal choices to minimize sampling error for the sample and hold application.



$T_A = -40^{\circ}\text{C to } +125^{\circ}\text{C}$

Figure 31. Charge Injection vs Source Voltage



$V_{DD} = 5\text{ V}$

Figure 32. On-Leakage vs Source or Drain Voltage

## 10.3 Typical Application - Switched Gain Amplifier

Switches and multiplexers are commonly used in the feedback path of amplifier circuits to provide configurable gain control. By using various resistor values on each switch path the TMUX112x allows the system to have multiple gain settings. An external resistor, or utilizing 1 channel always being closed, ensures the amplifier isn't operating in an open loop configuration. A transimpedance amplifier (TIA) for photodiode inputs is a common circuit that requires gain control using a multi-channel switch to convert the output current of the photodiode into a voltage for the MCU or processor. The leakage current, capacitance, and charge injection performance of the TMUX112x are key specifications to evaluate when selecting a device for gain control.

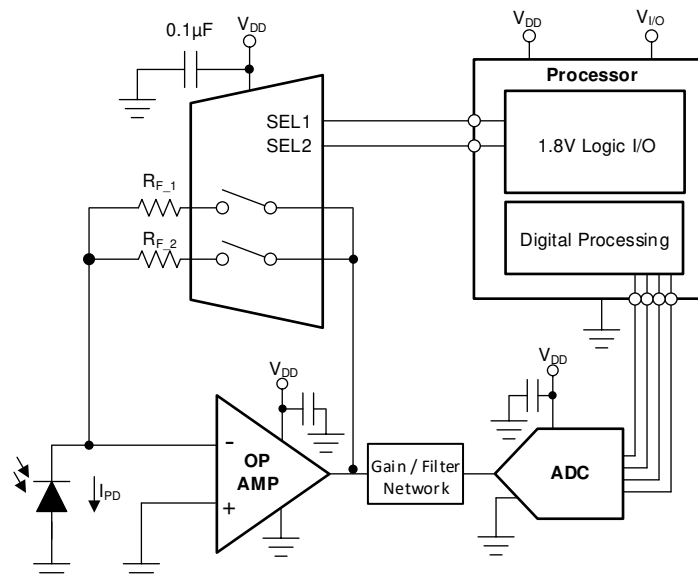


Figure 33. Switching Gain Settings of a TIA circuit

## Typical Application - Switched Gain Amplifier (continued)

### 10.3.1 Design Requirements

For this design example, use the parameters listed in [Table 4](#).

**Table 4. Design parameters**

PARAMETERS	VALUES
Supply ( $V_{DD}$ )	3.3 V
Input / Output signal range	0 $\mu$ A to 10 $\mu$ A
Control logic thresholds	1.8 V compatible

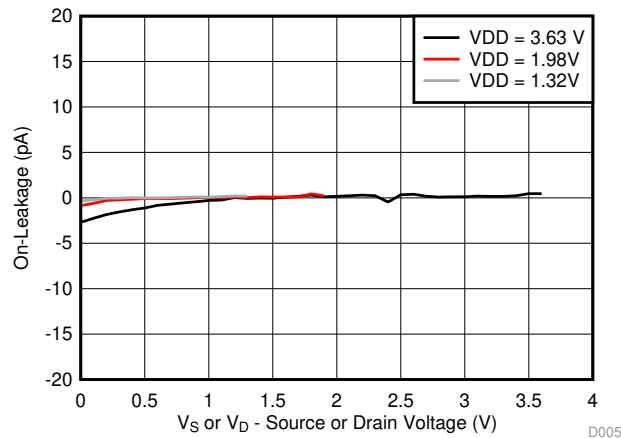
### 10.3.2 Detailed Design Procedure

The TMUX112x devices can be operated without any external components except for the supply decoupling capacitors. All inputs signals passing through the switch must fall within the recommend operating conditions of the TMUX112x including signal range and continuous current. For this design example, with a supply of 3.3 V, the signals can range from 0 V to 3.3 V when the device is powered. The max continuous current can be 30 mA.

Photodiodes commonly have a current output that ranges from a few hundred picoamps to tens of microamps based on the amount of light being absorbed. The TMUX112x have a typical On-leakage current of less than 10 pA which would lead to an accuracy well within 1% of a full scale 10  $\mu$ A signal. The low ON and OFF capacitance of the TMUX112x improves system stability by minimizing the total capacitance on the output of the amplifier. Lower capacitance leads to less overshoot and ringing in the system which can cause the amplifier circuit to go unstable if the phase margin is not at least 45°. Refer to [Improve Stability Issues with Low  \$C\_{ON}\$  Multiplexers](#) for more information on calculating the phase margin vs. percent overshoot.

### 10.3.3 Application Curve

The TMUX1121 is capable of switching signals from high source-impedance inputs into a high input-impedance op amp with minimal offset error because of the ultra-low leakage currents.



$$T_A = 25^\circ\text{C}$$

**Figure 34. On-Leakage vs Source or Drain Voltage**

## 11 Power Supply Recommendations

The TMUX112x operate across a wide supply range of 1.08 V to 5.5 V. Do not exceed the absolute maximum ratings because stresses beyond the listed ratings can cause permanent damage to the devices.

Power-supply bypassing improves noise margin and prevents switching noise propagation from the  $V_{DD}$  supply to other components. Good power-supply decoupling is important to achieve optimum performance. For improved supply noise immunity, use a supply decoupling capacitor ranging from 0.1  $\mu\text{F}$  to 10  $\mu\text{F}$  from  $V_{DD}$  to ground. Place the bypass capacitors as close to the power supply pins of the device as possible using low-impedance connections. TI recommends using multi-layer ceramic chip capacitors (MLCCs) that offer low equivalent series resistance (ESR) and inductance (ESL) characteristics for power-supply decoupling purposes. For very sensitive systems, or for systems in harsh noise environments, avoiding the use of vias for connecting the capacitors to the device pins may offer superior noise immunity. The use of multiple vias in parallel lowers the overall inductance and is beneficial for connections to ground planes.

## 12 Layout

### 12.1 Layout Guidelines

#### 12.1.1 Layout Information

When a PCB trace turns a corner at a 90° angle, a reflection can occur. A reflection occurs primarily because of the change of width of the trace. At the apex of the turn, the trace width increases to 1.414 times the width. This increase upsets the transmission-line characteristics, especially the distributed capacitance and self-inductance of the trace which results in the reflection. Not all PCB traces can be straight, and therefore; some traces must turn corners. Figure 35 shows progressively better techniques of rounding corners. Only the last example (BEST) maintains constant trace width and minimizes reflections.

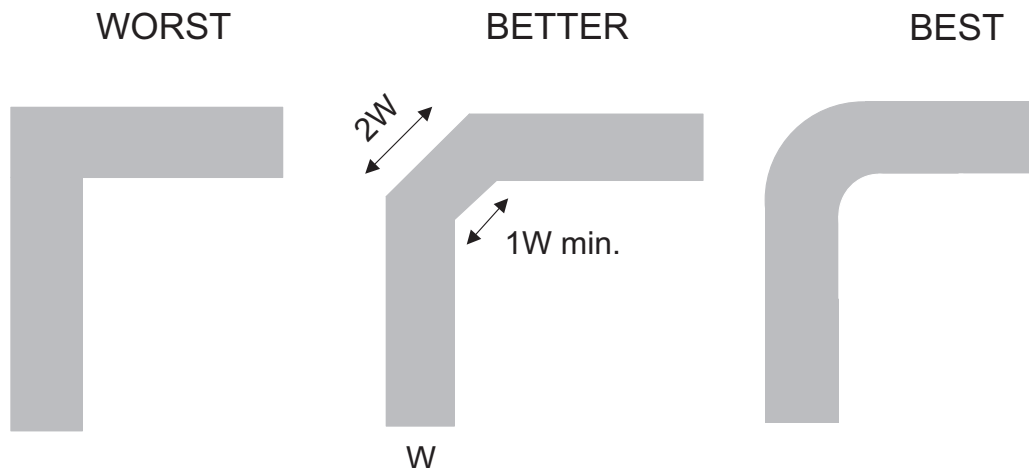


Figure 35. Trace example

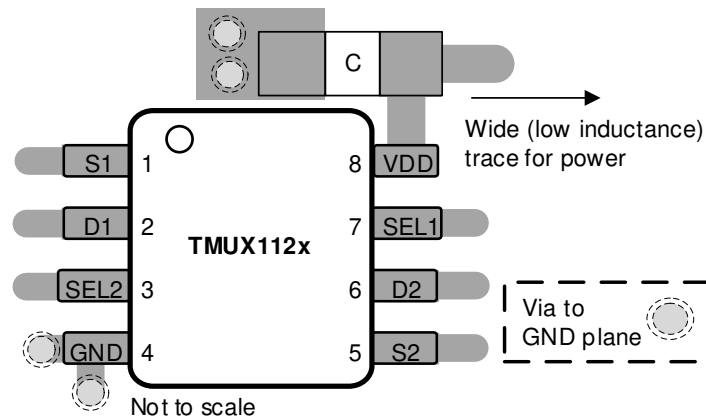
Route high-speed signals using a minimum of vias and corners which reduces signal reflections and impedance changes. When a via must be used, increase the clearance size around it to minimize its capacitance. Each via introduces discontinuities in the signal's transmission line and increases the chance of picking up interference from the other layers of the board. Be careful when designing test points, through-hole pins are not recommended at high frequencies.

## Layout Guidelines (continued)

Figure 36 illustrates an example of a PCB layout with the TMUX112x. Some key considerations are:

- Decouple the  $V_{DD}$  pin with a 0.1- $\mu\text{F}$  capacitor, placed as close to the pin as possible. Make sure that the capacitor voltage rating is sufficient for the  $V_{DD}$  supply.
- Keep the input lines as short as possible.
- Use a solid ground plane to help reduce electromagnetic interference (EMI) noise pickup.
- Do not run sensitive analog traces in parallel with digital traces. Avoid crossing digital and analog traces if possible, and only make perpendicular crossings when necessary.

## 12.2 Layout Example



**Figure 36. TMUX112x Layout example**

## 13 Device and Documentation Support

### 13.1 Documentation Support

#### 13.1.1 Related Documentation

Texas Instruments, [Sample & Hold Glitch Reduction for Precision Outputs Reference Design](#).

Texas Instruments, [True Differential, 4 x 2 MUX, Analog Front End, Simultaneous-Sampling ADC Circuit](#).

Texas Instruments, [Improve Stability Issues with Low CON Multiplexers](#).

Texas Instruments, [Simplifying Design with 1.8 V Logic Muxes and Switches](#).

Texas Instruments, [Eliminate Power Sequencing with Powered-off Protection Signal Switches](#).

Texas Instruments, [System-Level Protection for High-Voltage Analog Multiplexers](#).

### 13.2 Related Links

The table below lists quick access links. Categories include technical documents, support and community resources, tools and software, and quick access to order now.

**Table 5. Related Links**

PARTS	PRODUCT FOLDER	ORDER NOW	TECHNICAL DOCUMENTS	TOOLS & SOFTWARE	SUPPORT & COMMUNITY
TMUX1121	<a href="#">Click here</a>	<a href="#">Click here</a>	<a href="#">Click here</a>	<a href="#">Click here</a>	<a href="#">Click here</a>
TMUX1122	<a href="#">Click here</a>	<a href="#">Click here</a>	<a href="#">Click here</a>	<a href="#">Click here</a>	<a href="#">Click here</a>
TMUX1123	<a href="#">Click here</a>	<a href="#">Click here</a>	<a href="#">Click here</a>	<a href="#">Click here</a>	<a href="#">Click here</a>

### 13.3 Receiving Notification of Documentation Updates

To receive notification of documentation updates, navigate to the device product folder on ti.com. In the upper right corner, click on *Alert me* to register and receive a weekly digest of any product information that has changed. For change details, review the revision history included in any revised document.

### 13.4 Community Resources

[TI E2E™ support forums](#) are an engineer's go-to source for fast, verified answers and design help — straight from the experts. Search existing answers or ask your own question to get the quick design help you need.

Linked content is provided "AS IS" by the respective contributors. They do not constitute TI specifications and do not necessarily reflect TI's views; see TI's [Terms of Use](#).

### 13.5 Trademarks

E2E is a trademark of Texas Instruments.

### 13.6 Electrostatic Discharge Caution



This integrated circuit can be damaged by ESD. Texas Instruments recommends that all integrated circuits be handled with appropriate precautions. Failure to observe proper handling and installation procedures can cause damage.

ESD damage can range from subtle performance degradation to complete device failure. Precision integrated circuits may be more susceptible to damage because very small parametric changes could cause the device not to meet its published specifications.

### 13.7 Glossary

[SLYZ022](#) — *TI Glossary*.

This glossary lists and explains terms, acronyms, and definitions.

## 14 Mechanical, Packaging, and Orderable Information

The following pages include mechanical, packaging, and orderable information. This information is the most current data available for the designated devices. This data is subject to change without notice and revision of this document. For browser-based versions of this data sheet, refer to the left-hand navigation.

**PACKAGING INFORMATION**

Orderable Device	Status (1)	Package Type	Package Drawing	Pins	Package Qty	Eco Plan (2)	Lead finish/ Ball material (6)	MSL Peak Temp (3)	Op Temp (°C)	Device Marking (4/5)	Samples
TMUX1121DGKR	ACTIVE	VSSOP	DGK	8	2500	RoHS & Green	NIPDAUAG	Level-1-260C-UNLIM	-40 to 125	121	<a href="#">Samples</a>
TMUX1122DGKR	ACTIVE	VSSOP	DGK	8	2500	RoHS & Green	NIPDAUAG	Level-1-260C-UNLIM	-40 to 125	122	<a href="#">Samples</a>
TMUX1123DGKR	ACTIVE	VSSOP	DGK	8	2500	RoHS & Green	NIPDAUAG	Level-1-260C-UNLIM	-40 to 125	123	<a href="#">Samples</a>

(1) The marketing status values are defined as follows:

**ACTIVE:** Product device recommended for new designs.

**LIFEBUY:** TI has announced that the device will be discontinued, and a lifetime-buy period is in effect.

**NRND:** Not recommended for new designs. Device is in production to support existing customers, but TI does not recommend using this part in a new design.

**PREVIEW:** Device has been announced but is not in production. Samples may or may not be available.

**OBSOLETE:** TI has discontinued the production of the device.

(2) **RoHS:** TI defines "RoHS" to mean semiconductor products that are compliant with the current EU RoHS requirements for all 10 RoHS substances, including the requirement that RoHS substance do not exceed 0.1% by weight in homogeneous materials. Where designed to be soldered at high temperatures, "RoHS" products are suitable for use in specified lead-free processes. TI may reference these types of products as "Pb-Free".

**RoHS Exempt:** TI defines "RoHS Exempt" to mean products that contain lead but are compliant with EU RoHS pursuant to a specific EU RoHS exemption.

**Green:** TI defines "Green" to mean the content of Chlorine (Cl) and Bromine (Br) based flame retardants meet JS709B low halogen requirements of  $\leq 1000$ ppm threshold. Antimony trioxide based flame retardants must also meet the  $\leq 1000$ ppm threshold requirement.

(3) MSL, Peak Temp. - The Moisture Sensitivity Level rating according to the JEDEC industry standard classifications, and peak solder temperature.

(4) There may be additional marking, which relates to the logo, the lot trace code information, or the environmental category on the device.

(5) Multiple Device Markings will be inside parentheses. Only one Device Marking contained in parentheses and separated by a "~" will appear on a device. If a line is indented then it is a continuation of the previous line and the two combined represent the entire Device Marking for that device.

(6) Lead finish/Ball material - Orderable Devices may have multiple material finish options. Finish options are separated by a vertical ruled line. Lead finish/Ball material values may wrap to two lines if the finish value exceeds the maximum column width.

**Important Information and Disclaimer:** The information provided on this page represents TI's knowledge and belief as of the date that it is provided. TI bases its knowledge and belief on information provided by third parties, and makes no representation or warranty as to the accuracy of such information. Efforts are underway to better integrate information from third parties. TI has taken and continues to take reasonable steps to provide representative and accurate information but may not have conducted destructive testing or chemical analysis on incoming materials and chemicals. TI and TI suppliers consider certain information to be proprietary, and thus CAS numbers and other limited information may not be available for release.



In no event shall TI's liability arising out of such information exceed the total purchase price of the TI part(s) at issue in this document sold by TI to Customer on an annual basis.

## TAPE AND REEL INFORMATION



### QUADRANT ASSIGNMENTS FOR PIN 1 ORIENTATION IN TAPE



\*All dimensions are nominal

Device	Package Type	Package Drawing	Pins	SPQ	Reel Diameter (mm)	Reel Width W1 (mm)	A0 (mm)	B0 (mm)	K0 (mm)	P1 (mm)	W (mm)	Pin1 Quadrant
TMUX1121DGKR	VSSOP	DGK	8	2500	330.0	12.4	5.3	3.4	1.4	8.0	12.0	Q1
TMUX1122DGKR	VSSOP	DGK	8	2500	330.0	12.4	5.3	3.4	1.4	8.0	12.0	Q1
TMUX1123DGKR	VSSOP	DGK	8	2500	330.0	12.4	5.3	3.4	1.4	8.0	12.0	Q1

**TAPE AND REEL BOX DIMENSIONS**


\*All dimensions are nominal

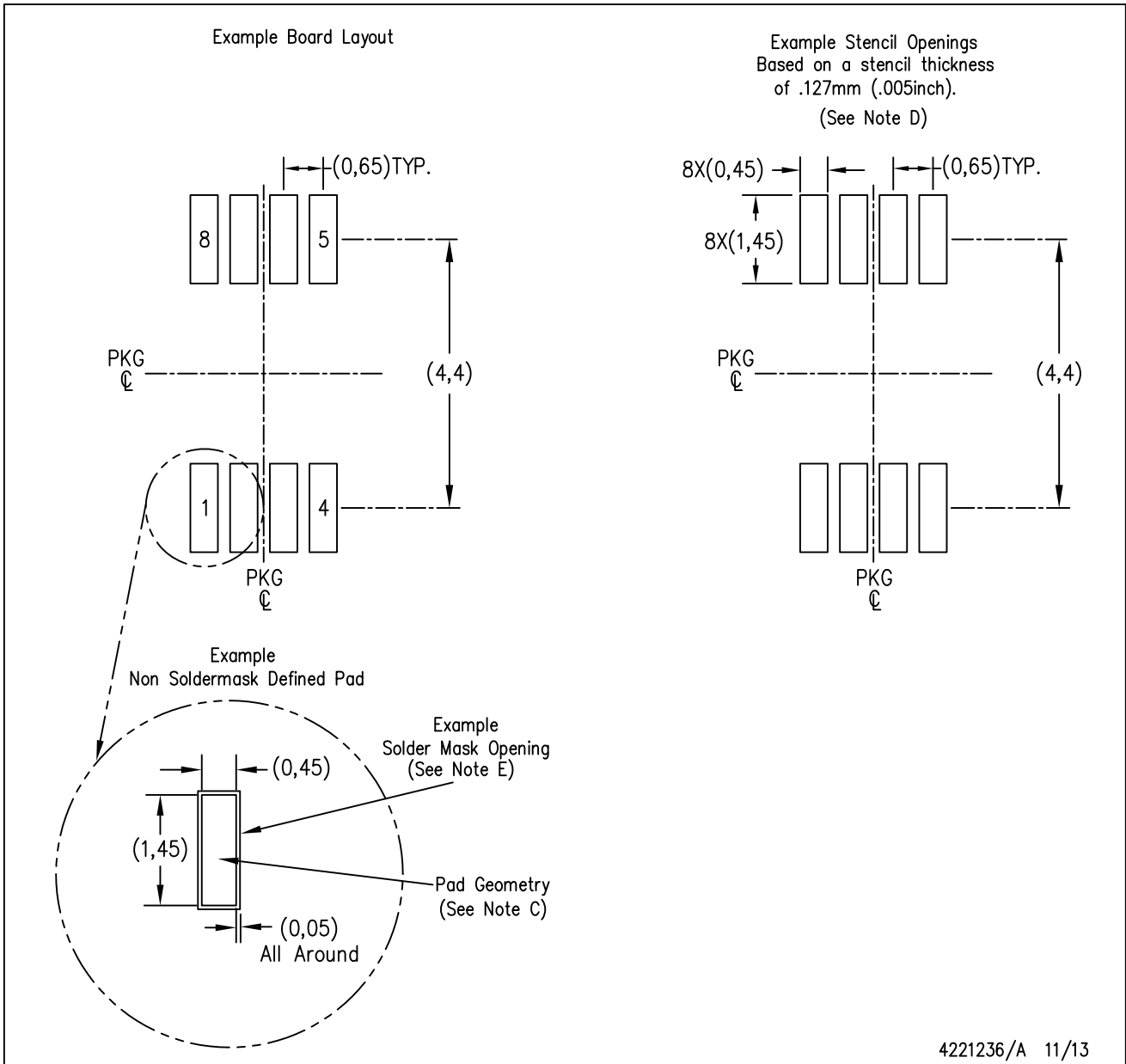
Device	Package Type	Package Drawing	Pins	SPQ	Length (mm)	Width (mm)	Height (mm)
TMUX1121DGKR	VSSOP	DGK	8	2500	364.0	364.0	27.0
TMUX1122DGKR	VSSOP	DGK	8	2500	364.0	364.0	27.0
TMUX1123DGKR	VSSOP	DGK	8	2500	364.0	364.0	27.0

DGK (S-PDSO-G8)

PLASTIC SMALL-OUTLINE PACKAGE



- NOTES:
- A. All linear dimensions are in millimeters.
  - B. This drawing is subject to change without notice.
  - C. Body length does not include mold flash, protrusions, or gate burrs. Mold flash, protrusions, or gate burrs shall not exceed 0.15 per end.
  - D. Body width does not include interlead flash. Interlead flash shall not exceed 0.50 per side.
  - E. Falls within JEDEC MO-187 variation AA, except interlead flash.



- NOTES:
- A. All linear dimensions are in millimeters.
  - B. This drawing is subject to change without notice.
  - C. Publication IPC-7351 is recommended for alternate designs.
  - D. Laser cutting apertures with trapezoidal walls and also rounding corners will offer better paste release. Customers should contact their board assembly site for stencil design recommendations. Refer to IPC-7525 for other stencil recommendations.
  - E. Customers should contact their board fabrication site for solder mask tolerances between and around signal pads.

## IMPORTANT NOTICE AND DISCLAIMER

TI PROVIDES TECHNICAL AND RELIABILITY DATA (INCLUDING DATASHEETS), DESIGN RESOURCES (INCLUDING REFERENCE DESIGNS), APPLICATION OR OTHER DESIGN ADVICE, WEB TOOLS, SAFETY INFORMATION, AND OTHER RESOURCES "AS IS" AND WITH ALL FAULTS, AND DISCLAIMS ALL WARRANTIES, EXPRESS AND IMPLIED, INCLUDING WITHOUT LIMITATION ANY IMPLIED WARRANTIES OF MERCHANTABILITY, FITNESS FOR A PARTICULAR PURPOSE OR NON-INFRINGEMENT OF THIRD PARTY INTELLECTUAL PROPERTY RIGHTS.

These resources are intended for skilled developers designing with TI products. You are solely responsible for (1) selecting the appropriate TI products for your application, (2) designing, validating and testing your application, and (3) ensuring your application meets applicable standards, and any other safety, security, or other requirements. These resources are subject to change without notice. TI grants you permission to use these resources only for development of an application that uses the TI products described in the resource. Other reproduction and display of these resources is prohibited. No license is granted to any other TI intellectual property right or to any third party intellectual property right. TI disclaims responsibility for, and you will fully indemnify TI and its representatives against, any claims, damages, costs, losses, and liabilities arising out of your use of these resources.

TI's products are provided subject to TI's Terms of Sale ([www.ti.com/legal/termsofsale.html](http://www.ti.com/legal/termsofsale.html)) or other applicable terms available either on [ti.com](http://ti.com) or provided in conjunction with such TI products. TI's provision of these resources does not expand or otherwise alter TI's applicable warranties or warranty disclaimers for TI products.

Mailing Address: Texas Instruments, Post Office Box 655303, Dallas, Texas 75265  
Copyright © 2020, Texas Instruments Incorporated