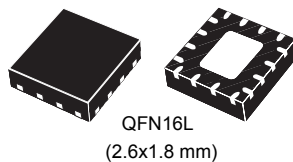


Low voltage high bandwidth quad SPDT switch



Features

- Ultra low power dissipation:
 - $I_{CC} = 0.3 \mu A$ at $T_A = 125 \text{ }^\circ C$
- Low on-resistance:
 - $R_{DS(on)} = 4 \Omega$ ($T_A = 25 \text{ }^\circ C$) at $V_{CC} = 3.0 V$
- Wide operating voltage range:
 - $V_{CC} (opr) = 1.65 V$ to $5 V$ single supply
- $5 V$ tolerant and $1.8 V$ compatible threshold on digital control input at $V_{CC} = 2.3 V$ to $3.0 V$
- Typical bandwidth (-3 dB) at 800 MHz on all channels
- Latch-up performance exceeds 100 mA per JESD 78, Class II
- ESD performance exceeds JESD22
 - 2000-V human body model (A114-A)
- USB (2.0) high speed (480 Mbps) signal switching compliant

Description

The **STG3693** is a high-speed CMOS low voltage quad analog SPDT (single pole dual throw) switch or 2:1 multiplexer /demultiplexer switch fabricated in silicon gate C2MOS technology. It is designed to operate from $1.65 V$ to $5 V$, making this device ideal for portable applications.

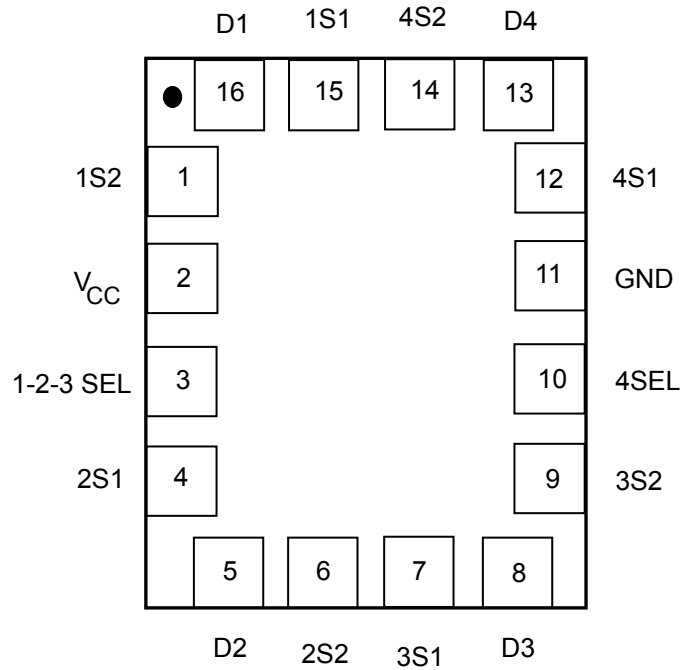
The nSEL inputs are provided to control the switch. The switch S1 is ON (it is connected to common ports Dn) when the nSEL input is held high and OFF (high impedance state exists between the two ports) when SEL is held low; the switch S2 is ON (it is connected to common port D) when the nSEL input is held low and OFF (high impedance state exists between the two ports) when nSEL is held high. Additional key features are fast switching speed, break-before-make delay time and ultra low power consumption. All inputs and outputs are equipped with protection circuits against static discharge, giving them ESD immunity and transient excess voltage.

Product status link	
STG3693	
Product summary	
Order code	STG3693QTR
Package	QFN16L (2.6x1.8 mm)
Packing	Tape and reel

1 Pin settings

1.1 Pin connections

Figure 1. Pin connection (top through view)



1.2 Pin description

Table 1. Pin description

Pin	Symbol	Name and function
15,1	1S1, 1S2	Independent channels
4,6	2S1, 2S2	
7,9	3S1, 3S2	
12,14	4S1, 4S2	
16,5,8,13	D1, D2, D3, D4	Common channels
3, 10	1-2-3SEL, 4SEL	Control
2	V _{CC}	Positive supply voltage
11	GND	Ground (0 V)

Note: Exposed pad must be soldered to a floating plane. Do not connect to power or ground.

2 Device summary

Figure 2. Input equivalent circuit

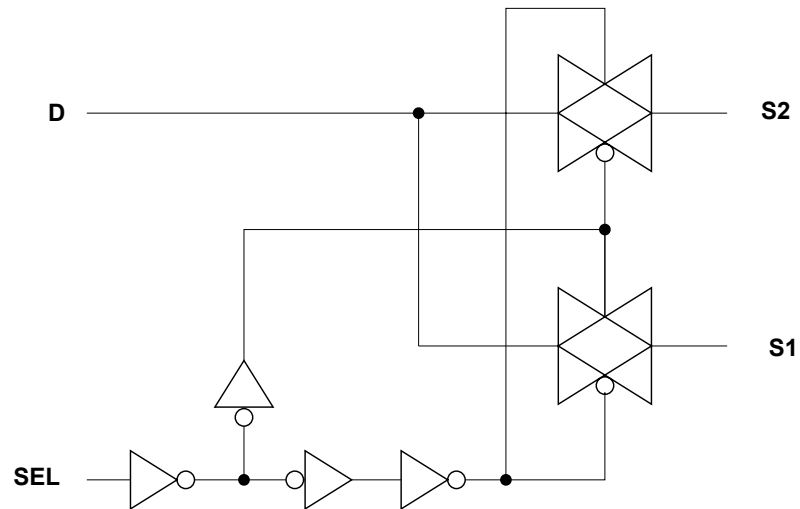


Table 2. Truth table

1-2-3-SEL	4 SEL	SWITCH 1	SWITCH 2	SWITCH 3	SWITCH 4
H	X	D1-1S1	D2-2S1	D3-3S1	X
L	X	D1-1S2	D2-2S2	D3-3S2	X
X	H	X	X	X	4D-4S1
X	L	X	X	X	4D-4S2

3 Maximum ratings

Stressing the device above the rating listed in the absolute maximum ratings table may cause permanent damage to the device. These are stress ratings only and operation of the device at these or any other conditions above those indicated in the operating sections of this specification is not implied. Exposure to absolute maximum rating conditions for extended periods may affect device reliability. Refer also to the STMicroelectronics SURE program and other relevant quality documents.

Table 3. Absolute maximum ratings

Symbol	Parameter	Value	Unit
V_{CC}	Supply voltage	-0.5 to 5.5	V
V_I	DC input voltage	-0.5 to $V_{CC} + 0.5$	V
V_{IC}	DC control input voltage	-0.5 to 5.5	V
V_O	DC output voltage	-0.5 to $V_{CC} + 0.5$	V
I_{IKC}	DC input diode current on control pin ($V_{SEL} < 0$ V)	-50	mA
I_{IK}	DC input diode current ($V_{SEL} < 0$ V)	± 50	mA
I_{OK}	DC output diode current	± 20	mA
I_O	DC output current	± 128	mA
I_{OP}	DC output current peak (pulse at 1 ms, 10% duty cycle)	± 300	mA
I_{CC} or I_{GND}	DC V_{CC} or ground current	± 100	mA
P_D	Power dissipation at $T_A = 70$ °C ⁽¹⁾	1120	mW
T_{stg}	Storage temperature	-65 to 150	°C
T_L	Lead temperature (10 s)	300	°C

1. Derate above 70 °C by 18.5 mW/C.

3.1 Recommended operating conditions

Table 4. Recommended operating conditions

Symbol	Parameters	Value	Unit	
V_{CC}	Supply voltage	1.65 to 5	V	
V_I	Input voltage	0 to V_{CC}		
V_{IC}	Control input voltage	0 to 5		
V_O	Output voltage	0 to V_{CC}		
T_{op}	Operating temperature	-55 to 125	°C	
dt/dv	Input rise and fall time control input	$V_{CC} = 1.65$ V to 2.7 V	0 to 20	ns/V
		$V_{CC} = 3.0$ to 4.3 V	0 to 10	

4 Electrical characteristics

Table 5. DC specifications

Symbol	Parameter	Test conditions		Value					Unit
		V _{CC} (V)		T _A = 25 °C			-40 to 125 °C		
				Min.	Typ.	Max.	Min.	Max.	
V _{IH}	High level input voltage	1.65 -1.95		0.65			0.65		V
		2.3-2.5		1.2			1.2		
		2.7-3.0		1.3			1.3		
		3.3-3.6		1.4			1.4		
		4.3		1.6			1.6		
		5		2			2		
V _{IL}	Low level input voltage	1.65-1.95				0.25		0.25	V
		2.3-2.5				0.25		0.25	
		2.7-3.0				0.25		0.25	
		3.3-3.6				0.30		0.30	
		4.3				0.40		0.40	
		5				0.40		0.40	
R _{PEAK}	Switch-on peak resistance	1.8	V _S = 0 V to V _{CC} , I _S = 8 mA		12	16	8.2	16.1	Ω
		2.7			6.3	8	3.3	9.3	
		3			5.8	7.5	3	8.5	
		3.7			5	6.5	2.6	7.3	
		4.3			4.6	6.0	2.4	6.8	
		5			4.6	6.0	2.4	6.8	
R _{ON}	Switch-on resistance	3	V _S = 3 V, I _S = 8 mA		4	5.2	2.2	5.7	Ω
		3	V _S = 0.8 V, I _S = 8 mA		5	6.5	2.7	7.4	
ΔR _{ON}	ON-resistance match between channels	1.8	V _S @ R _{ON} max., I _S = 8 mA						Ω
		2.7							
		3			0.3		0.3		
		3.7							
		4.3							
		5							
R _{FLAT}	ON-resistance flatness	1.8	V _S = 0 V to V _{CC} , I _S = 8 mA		6.6		5.2	7.9	Ω
		2.7			2		0.8	3.2	
		3			1.7		0.8	2.9	
		3.7			1.5		0.8	2.4	
		4.3			1.6		0.8	2.2	
		5			4.6		0.8	2.2	
I _{OFF}	OFF-state leakage current (SN), (D)	4.3	V _S = 0.3 or 4 V			±20		±100	nA

Symbol	Parameter	Test conditions		Value					Unit
		V _{CC} (V)		T _A = 25 °C			-40 to 125 °C		
				Min.	Typ.	Max.	Min.	Max.	
I _{IN}	Input leakage current	0 to 4.3	V _{SEL} = 0 to 4.3 V			±0.1		±1	µA
I _{CC}	Quiescent supply current	1.65 to 4.3	V _{SEL} = V _{CC} or GND			0.1		1	µA
I _{CCLV}	Quiescent supply current low voltage driving	4.3	V1-2-3SEL, V4-SEL = 1.65 V		37	50		100	µA
			V1-2-3SEL, V4-SEL = 1.80 V		33	40		50	
			V1-2-3SEL, V4-SEL = 2.60 V		11	20		30	

Table 6. Analog switch characteristics (C_L = 35 pF, R_L = 50 Ω, t_r = t_f ≤ 5 ns)

Symbol	Parameter	Test conditions		Value					Unit
		V _{CC} (V)		T _A = 25 °C			-40 to 125 °C		
				Min.	Typ.	Max.	Min.	Max.	
t _{PLH} , t _{PHL}	Propagation delay	1.65 -1.95			0.3				ns
		2.3-2.7			0.3				
		3.0-3.3			0.25				
		3.6-4.3			0.25				
t _{ON}	Turn-on time	1.65 -1.95	V _S =0.8 V		31				ns
		2.3-2.7	V _S =1.5 V		20	26		34	
		3.0-3.3			20	20		26	
		3.6-4.3			20	15		20	
t _{ON} channel skew	Turn-on time skew between channels	3.0-3.3	V _S =1.5 V		600				ps
t _{OFF}	Turn-off time	1.65 -1.95	V _S =0.8 V		5			8	ns
		2.3-2.7	V _S =1.5 V		4	6		8	
		3.0-3.3			4	6		6	
		3.6-4.3			3	5			
t _{OFF} channel skew	Turn-off time skew between channels	3.0-3.3	V _S =1.5 V		900				ps
t _D	Break- before-make time delay	1.65-1.95	C _L = 35 pF, R _L = 50 Ω, V _S = 1.5 V		1	7			ns
		2.3-2.7			1	5			
		3.0-3.3			1	4			
		3.6-4.3			1	3			
Q	Charge injection	1.65	C _L = 100 pF, V _{GEN} = 0 V, R _{GEN} = 0 Ω		2.8				pC
		2.3			3.5				
		3			3.8				
		4.3			5				

Table 7. Analog switch characteristics ($C_L = 5 \text{ pF}$, $R_L = 50 \text{ } \Omega$, $T_A = 25 \text{ } ^\circ\text{C}$)

Symbol	Parameter	Test conditions		Value					Unit	
		V_{CC} (V)		$T_A = 25 \text{ } ^\circ\text{C}$	$-40 \text{ to } 125 \text{ } ^\circ\text{C}$					
				Min.	Typ.	Max.	Min.	Max.		
OIRR	Off isolation ⁽¹⁾	1.65 -4.3	$V_S = 1 V_{RMS}$, $f = 1 \text{ MHz}$, signal = 0 dBm		-79					dB
			$V_S = 1 V_{RMS}$, $f = 1 \text{ MHz}$, signal = 0 dBm		-60					
Xtalk	Crosstalk	1.65 -4.3	$V_S = 1 V_{RMS}$, $f = 1 \text{ MHz}$, signal = 0 dBm		-78					dB
			$V_S = 1 V_{RMS}$, $f = 1 \text{ MHz}$, signal = 0 dBm		-61					
THD	Total harmonic distortion	3.7	$f = 20 \text{ Hz to } 20 \text{ kHz}$, $R_L = 32 \text{ } \Omega$, $C_L = 50 \text{ } \Omega$, $V_{IN} = 2.8 V_{P-P}$, $V_{DC} = V_{CC}/2$		0.01	0.02				%
PSRR	Power supply rejection ratio	3.7	$f = 217 \text{ Hz}$, $R_L = 32 \text{ } \Omega$, $C_L = 50 \text{ } \Omega$, $V_{ripple} = 150 \text{ mV}$, $V_{DC} = V_{CC}/2$		-60					dB
BW	-3 dB bandwidth	3.0-4.3	$R_L = 50 \text{ } \Omega$, signal = 0 dBm		800					MHz
D_G	Differential gain	3.0-4.3	$R_L = 150 \text{ } \Omega$		0.64					%
D_P	Differential phase	3.0-4.3	$R_L = 150 \text{ } \Omega$		0.1					deg
C_{IN}	Control pin input capacitance		$V_{CC} = 0 \text{ V}$		6.2					pF
C_{ON}	Sn port capacitance when switch is enabled	3.3	$f = 1 \text{ MHz}$		10					pF
C_{OFF}	Sn port capacitance when switch is disabled	3.3	$f = 1 \text{ MHz}$		5					pF

1. Off Isolation = $20 \text{ Log}_{10}(V_D/V_S)$, $V_D = \text{output}$. $V_S = \text{input to off switch}$.

Table 8. USB related AC electrical characteristics

Symbol	Parameter	Test conditions		Value					Unit	
		V_{CC} (V)		$T_A = 25 \text{ } ^\circ\text{C}$	$-40 \text{ to } 125 \text{ } ^\circ\text{C}$					
				Min.	Typ.	Max.	Min.	Max.		
$t_{SK(0)}$	Channel-to-channel skew	3.0 to 3.6	$C_L = 10 \text{ pF}$		26					ps
$t_{SK(P)}$	Skew of opposite transition of the same output	3.0 to 3.6	$C_L = 10 \text{ pF}$		60					ps
T_J	Total jitter	3.0 to 3.6	$R_L = 50 \text{ } \Omega$, $C_L = 10 \text{ pF}$, $t_R = t_F = 750 \text{ ps}$ at 480 Mbps		130					dB

5 Test circuits

Figure 3. On-resistance

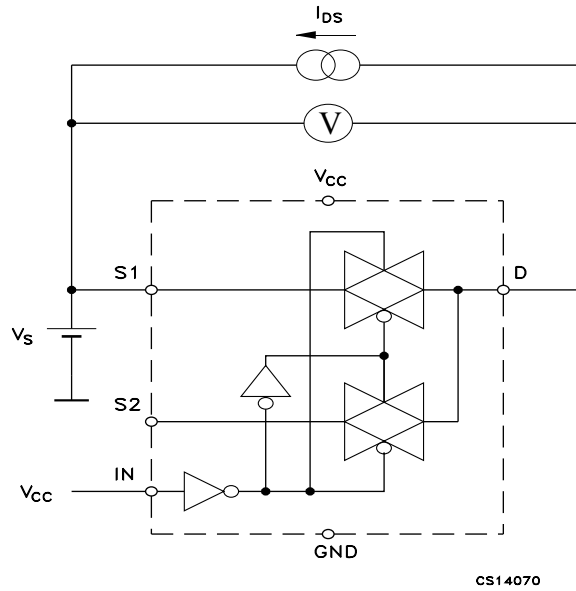


Figure 4. Bandwidth

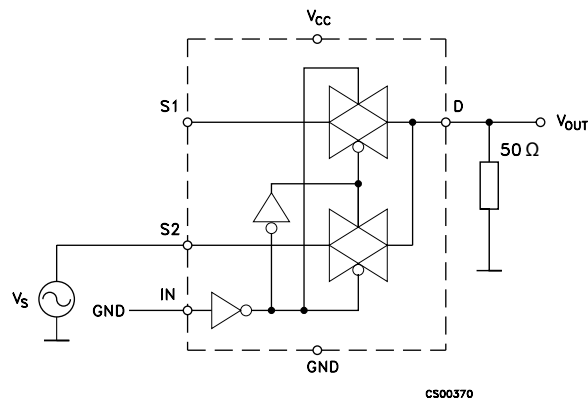


Figure 5. Off leakage

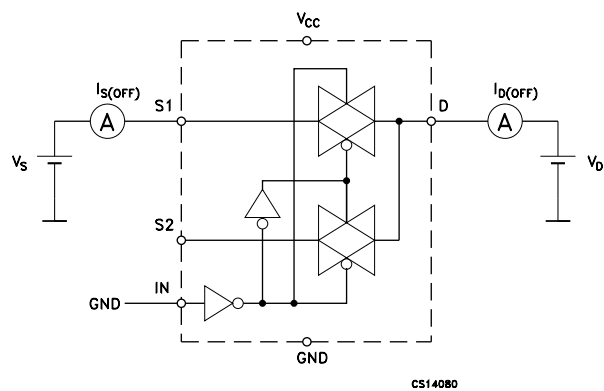


Figure 6. Channel-to-channel crosstalk

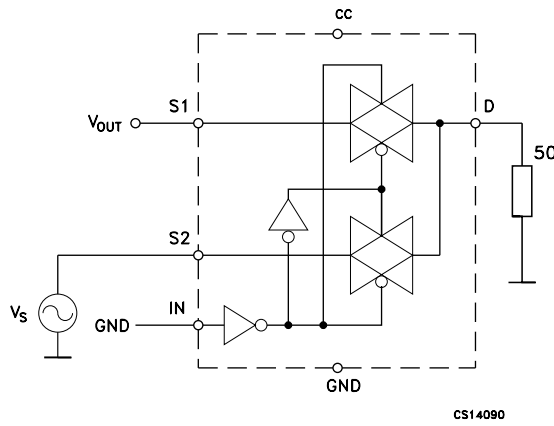
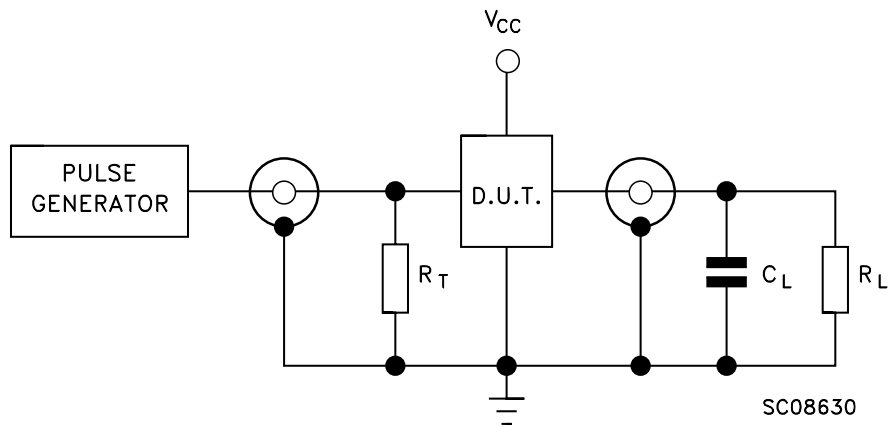


Figure 7. Test circuits



Note: $C_L = 5/35 \text{ pF}$ or equivalent: (includes jig capacitance). $R_L = 50 \Omega$ or equivalent. $R_T = Z_{OUT}$ of pulse generator (typically 50Ω).

Figure 8. Break-before-make time delay

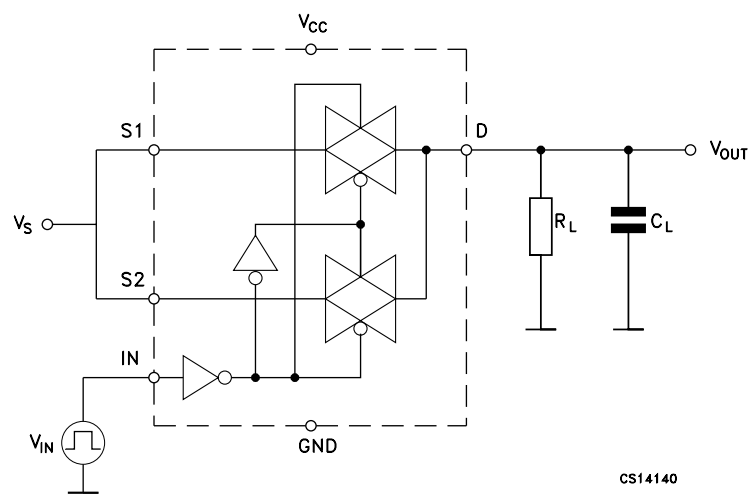


Figure 9. Break-before-make time delay2

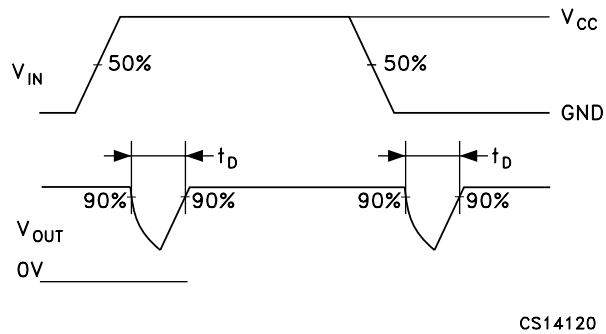


Figure 10. Switching time and charge injection ($V_{GEN} = 0\text{ V}$, $R_{GEN} = 0\ \Omega$, $R_L = 1\ \text{M}\Omega$, $C_L = 100\ \text{pF}$)

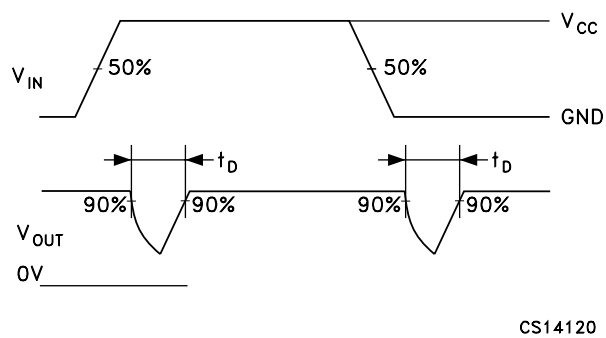


Figure 11. Switching time and charge injection ($V_{GEN} = 0\ \text{V}$, $R_{GEN} = 0\ \Omega$, $R_L = 1\ \text{M}\Omega$, $C_L = 100\ \text{pF}$) 2

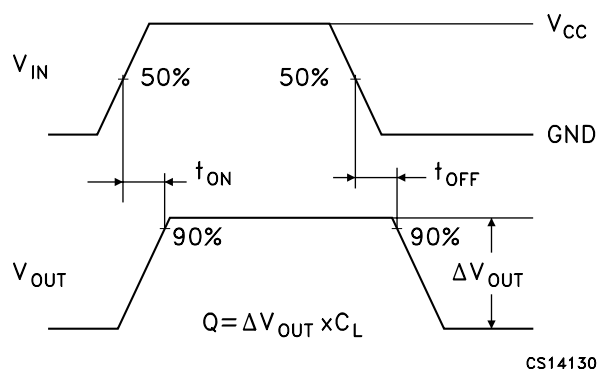


Figure 12. Turn-on, turn-off delay time

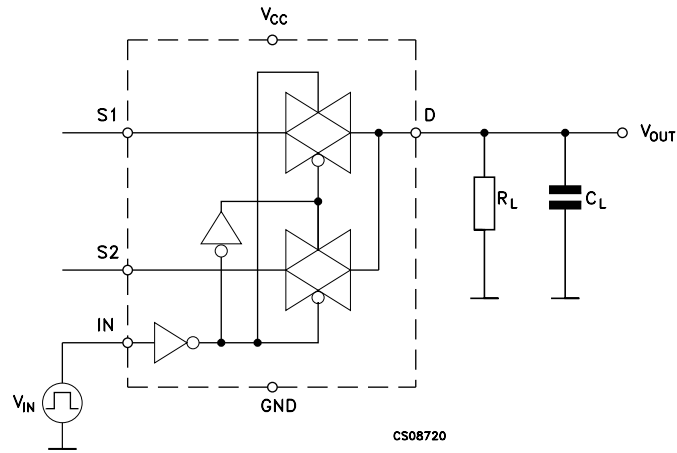
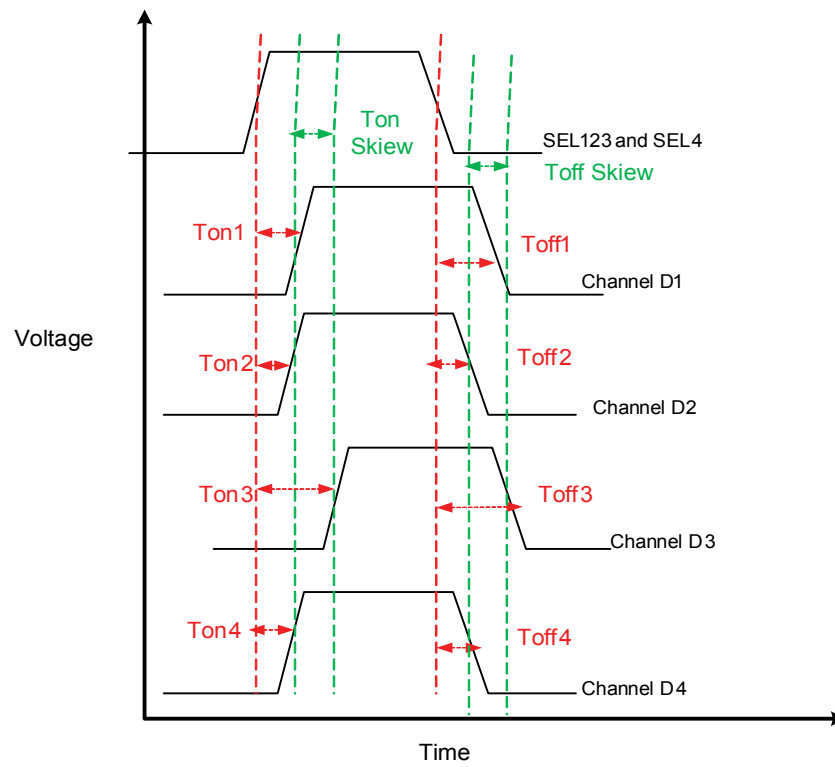


Figure 13. Turn-on, turn-off delay time and channel skew



6 Package information

In order to meet environmental requirements, ST offers these devices in different grades of **ECOPACK** packages, depending on their level of environmental compliance. ECOPACK specifications, grade definitions and product status are available at: www.st.com. ECOPACK is an ST trademark.

6.1 QFN16L (2.6x1.8 mm) package information

Figure 14. [package name] package outline

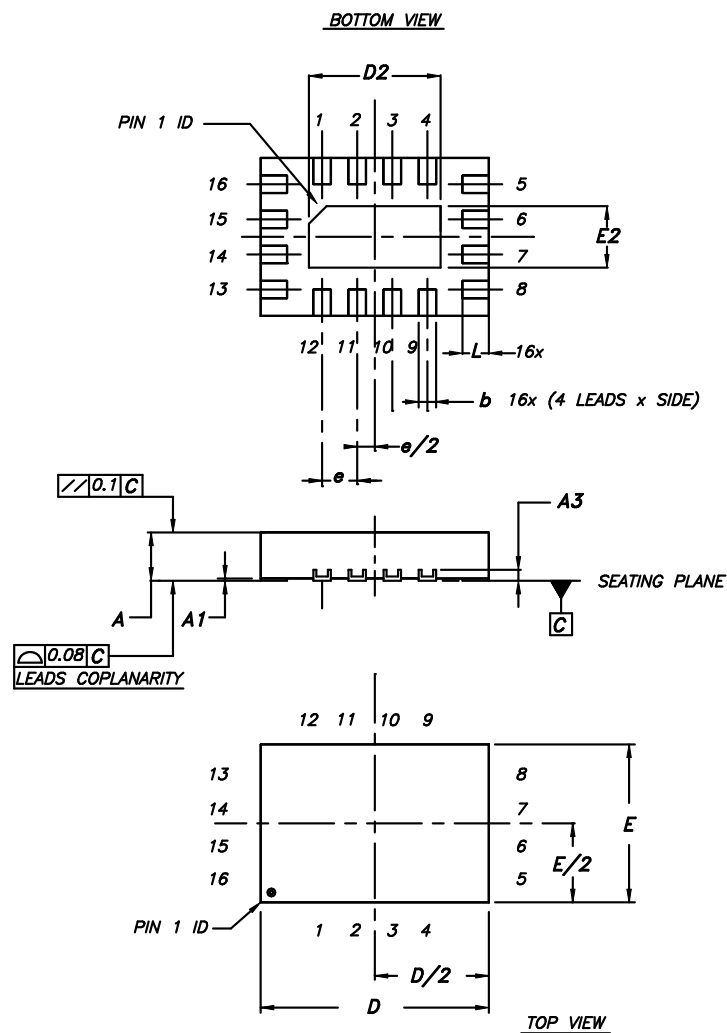


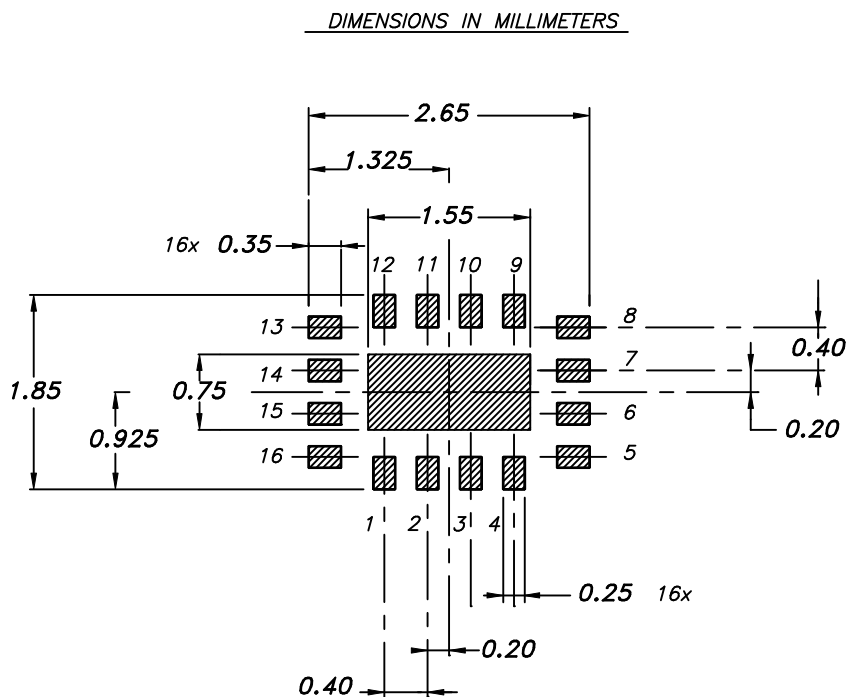
Table 9. QFN16L (2.6x1.8 mm) package mechanical data

Symbol	mm		
	Min.	Typ.	Max.
A	0.45	0.5	0.55
A1	0	0.02	0.05
A3		0.127	
b	0.15	0.2	0.25

Symbol	mm		
	Min.	Typ.	Max.
D	2.55	2.6	2.65
D2	1.45	1.5	1.55
E	1.75	1.8	1.85
E2	0.65	0.7	0.75
e		0.4	
L	0.25	0.3	0.35

Note: VFQFPN - Standard for thermally enhanced very fine pitch quad flat package no leads. The leads size is comprehensive of the thickness of the leads finishing material. Dimensions do not include mold protrusion. Package outline exclusive of metal burrs dimensions. Shipping media tape and reel units: 3000.

Figure 15. QFN16L (2.6x1.8 mm) recommended footprint



6.2 QFN16L (2.6x1.8 mm) packing information

Figure 16. QFN16L (2.6x1.8 mm) carrier tape

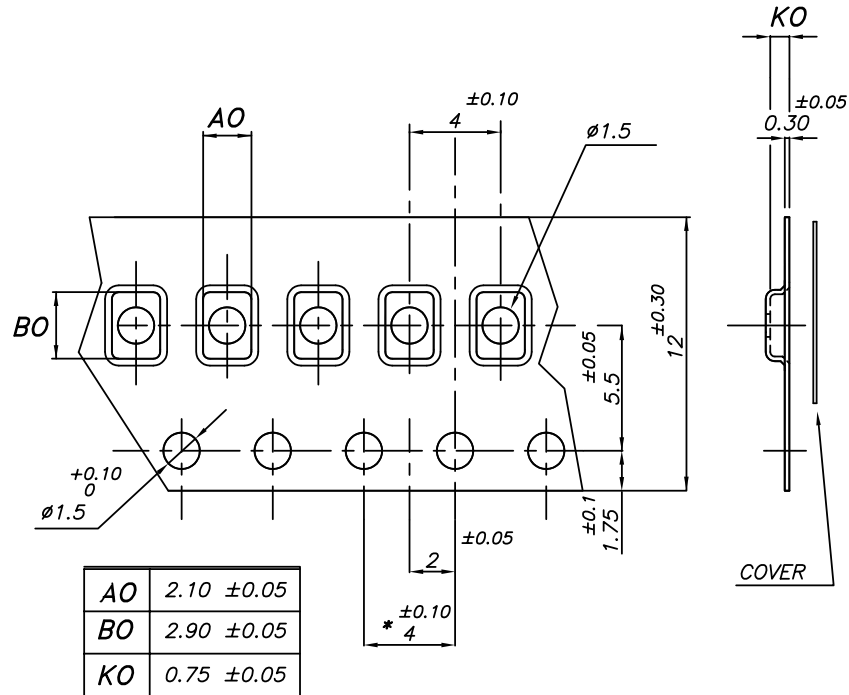
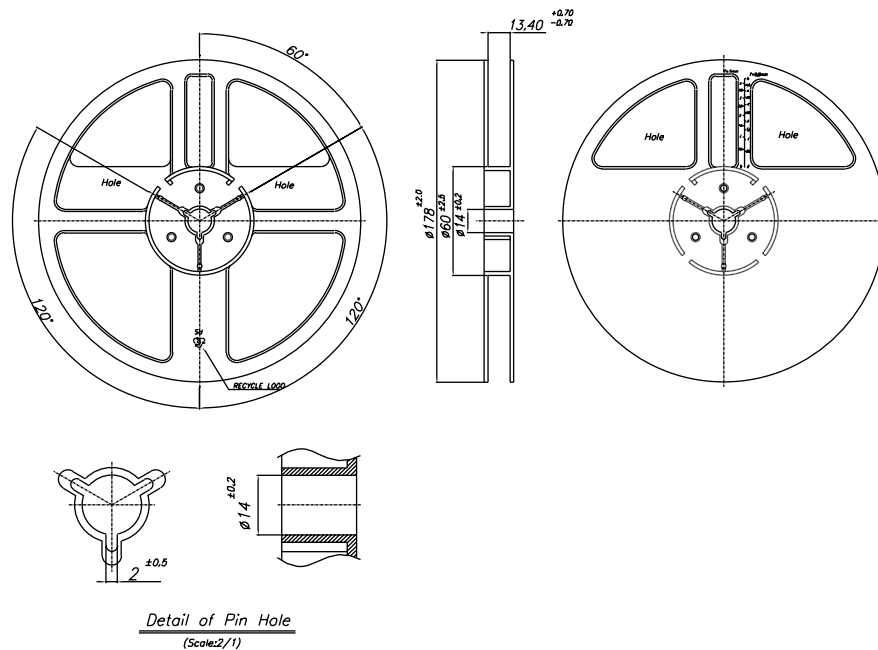


Figure 17. QFN16L (2.6x1.8 mm) reel

- 10 SPROCKET HOLE PITCH CUMULATIVE TOLERANCE ±0.20



Revision history

Table 10. Document revision history

Date	Version	Changes
03-Jan-2006	1	Initial release.
23-Jul-2007	2	Updated C _{OFF} value in Table 8 on page 8
18-Sep-2018	3	Updated Features, Table 6, Table 7, Table 8, Table 9. Updated Figure 13
12-Oct-2018	4	Updated Section 4: Electrical characteristics
04-Jun-2019	5	Updated features, the description and Table 4. Recommended operating conditions .

Contents

1	Pin settings	2
1.1	Pin connections.....	2
1.2	Pin description.....	2
2	Device summary	3
3	Maximum ratings	4
3.1	Recommended operating conditions.....	4
4	Electrical characteristics	5
5	Test circuits	8
6	Package information	12
6.1	QFN16L (2.6x1.8 mm) package information.....	12
6.2	QFN16L (2.6x1.8 mm) packing information.....	13
	Revision history	15

List of tables

Table 1.	Pin description	2
Table 2.	Truth table	3
Table 3.	Absolute maximum ratings	4
Table 4.	Recommended operating conditions	4
Table 5.	DC specifications	5
Table 6.	Analog switch characteristics ($C_L = 35 \text{ pF}$, $R_L = 50 \Omega$, $t_r = t_f \leq 5 \text{ ns}$)	6
Table 7.	Analog switch characteristics ($C_L = 5 \text{ pF}$, $R_L = 50 \Omega$, $T_A = 25 \text{ }^\circ\text{C}$)	7
Table 8.	USB related AC electrical characteristics	7
Table 9.	QFN16L (2.6x1.8 mm) package mechanical data	12
Table 10.	Document revision history	15

List of figures

Figure 1.	Pin connection (top through view)	2
Figure 2.	Input equivalent circuit	3
Figure 3.	On-resistance	8
Figure 4.	Bandwidth	8
Figure 5.	Off leakage	8
Figure 6.	Channel-to-channel crosstalk	9
Figure 7.	Test circuits	9
Figure 8.	Break-before-make time delay	9
Figure 9.	Break-before-make time delay2	10
Figure 10.	Switching time and charge injection ($V_{GEN} = 0\text{ V}$, $R_{GEN} = 0\ \Omega$, $R_L = 1\ \text{M}\Omega$, $C_L = 100\ \text{pF}$)	10
Figure 11.	Switching time and charge injection ($V_{GEN} = 0\text{ V}$, $R_{GEN} = 0\ \Omega$, $R_L = 1\ \text{M}\Omega$, $C_L = 100\ \text{pF}$) 2	10
Figure 12.	Turn-on, turn-off delay time	11
Figure 13.	Turn-on, turn-off delay time and channel skew	11
Figure 14.	[package name] package outline	12
Figure 15.	QFN16L (2.6x1.8 mm) recommended footprint	13
Figure 16.	QFN16L (2.6x1.8 mm) carrier tape	14
Figure 17.	QFN16L (2.6x1.8 mm) reel	14

IMPORTANT NOTICE – PLEASE READ CAREFULLY

STMicroelectronics NV and its subsidiaries (“ST”) reserve the right to make changes, corrections, enhancements, modifications, and improvements to ST products and/or to this document at any time without notice. Purchasers should obtain the latest relevant information on ST products before placing orders. ST products are sold pursuant to ST’s terms and conditions of sale in place at the time of order acknowledgement.

Purchasers are solely responsible for the choice, selection, and use of ST products and ST assumes no liability for application assistance or the design of Purchasers’ products.

No license, express or implied, to any intellectual property right is granted by ST herein.

Resale of ST products with provisions different from the information set forth herein shall void any warranty granted by ST for such product.

ST and the ST logo are trademarks of ST. For additional information about ST trademarks, please refer to www.st.com/trademarks. All other product or service names are the property of their respective owners.

Information in this document supersedes and replaces information previously supplied in any prior versions of this document.

© 2019 STMicroelectronics – All rights reserved