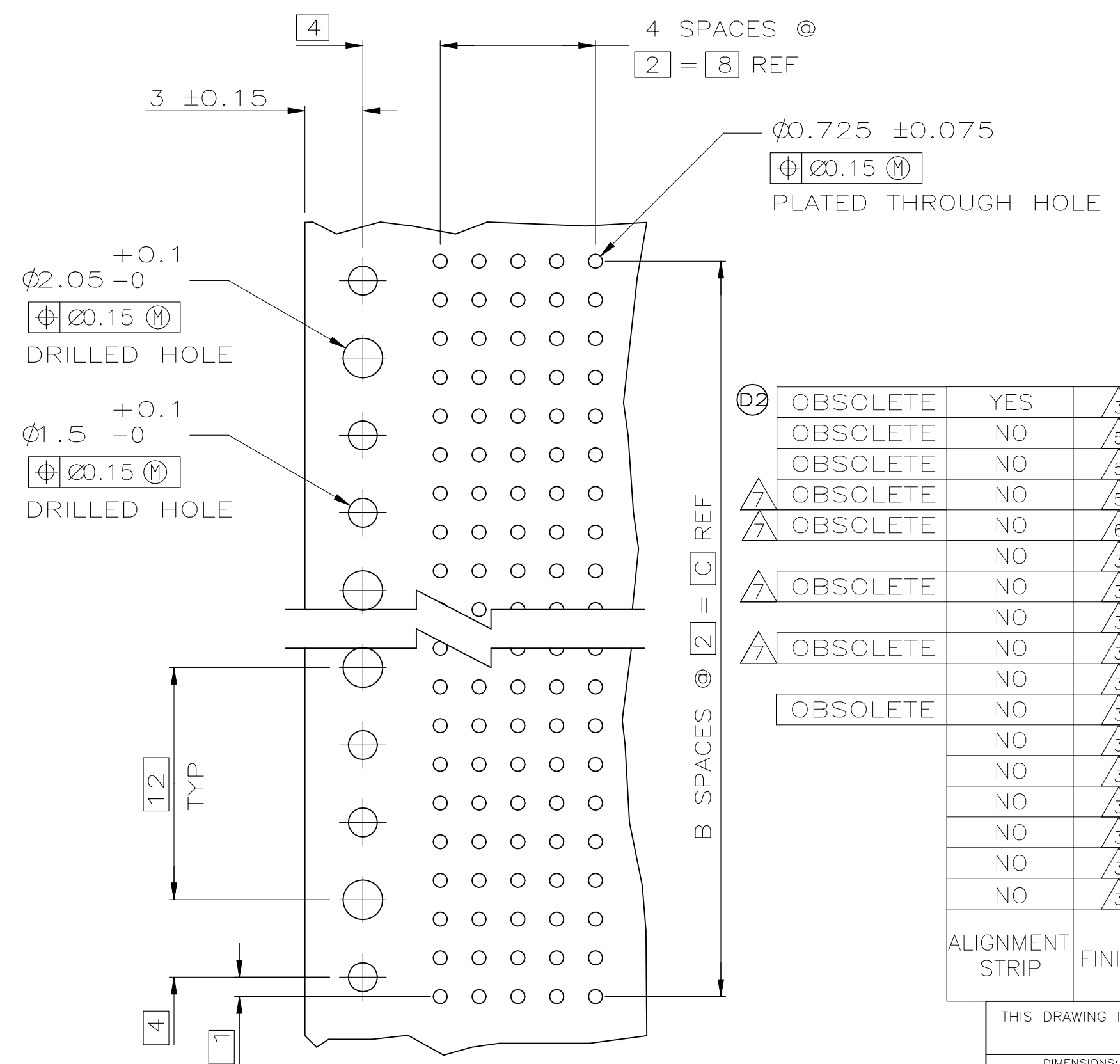
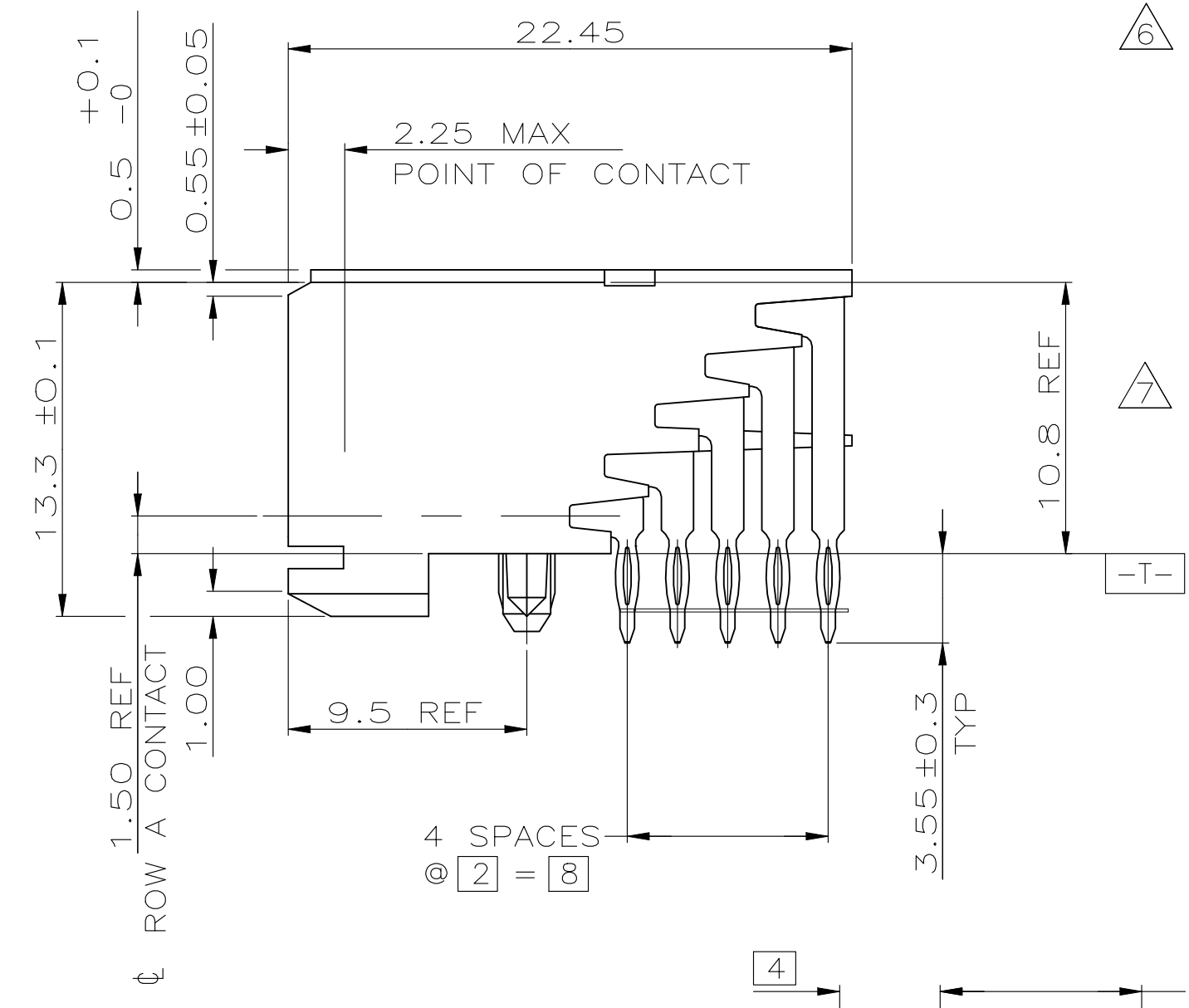
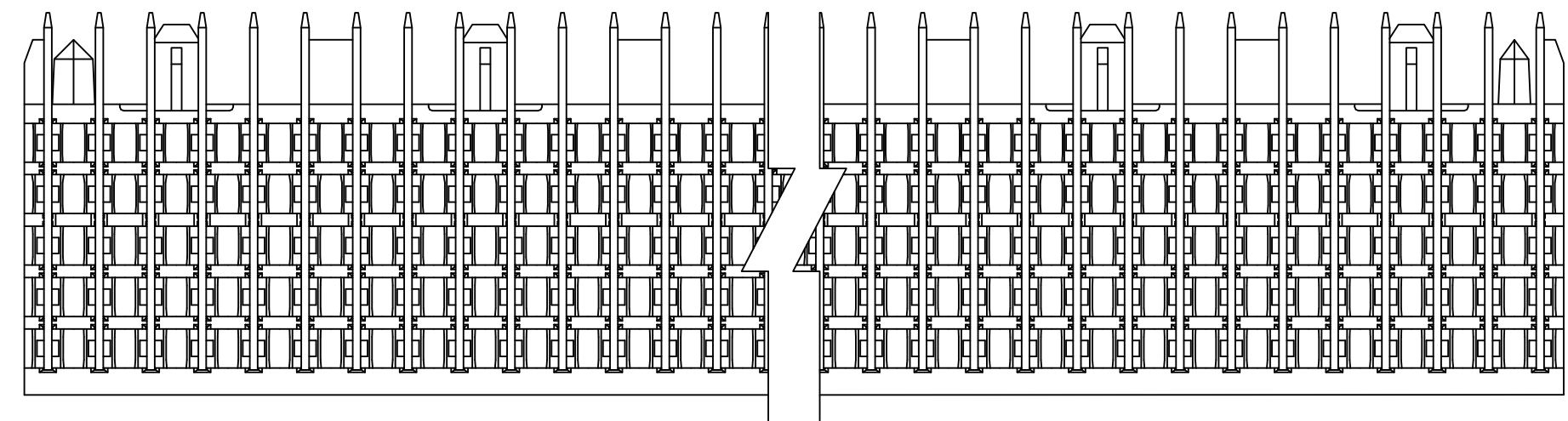
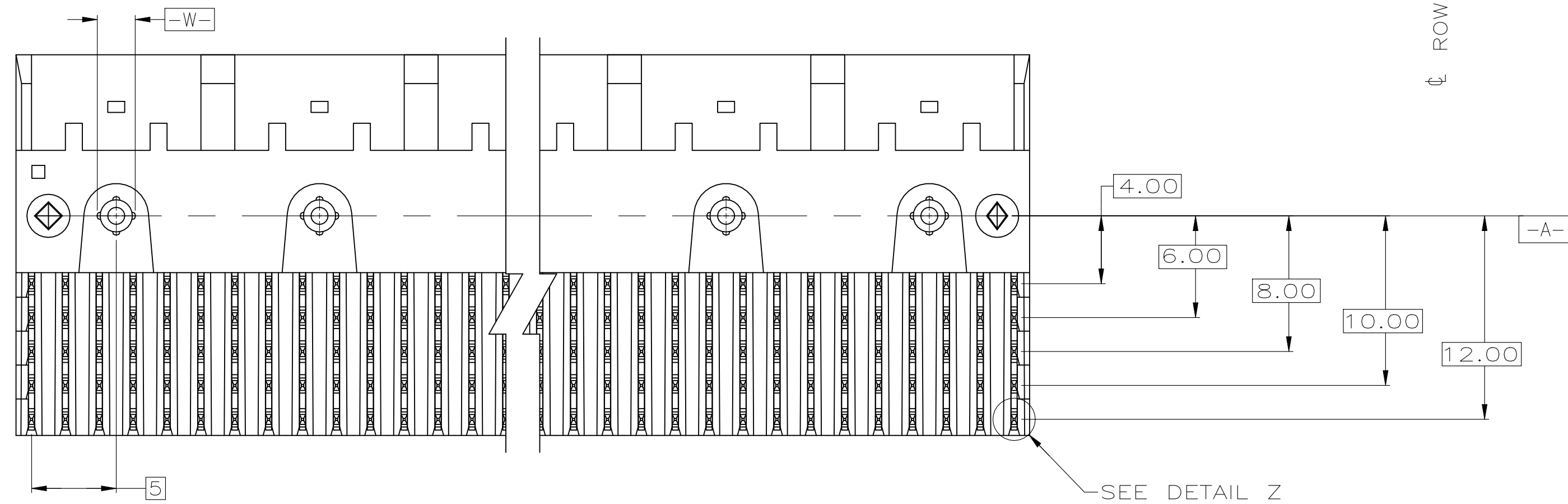
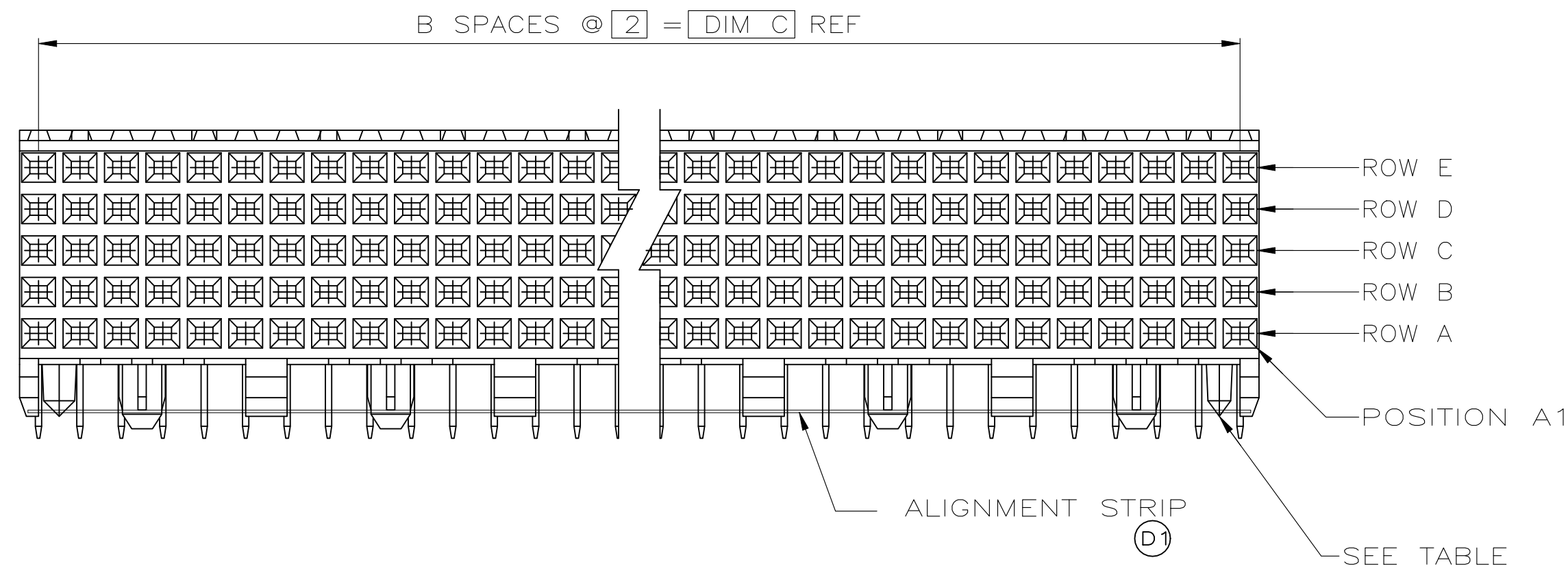
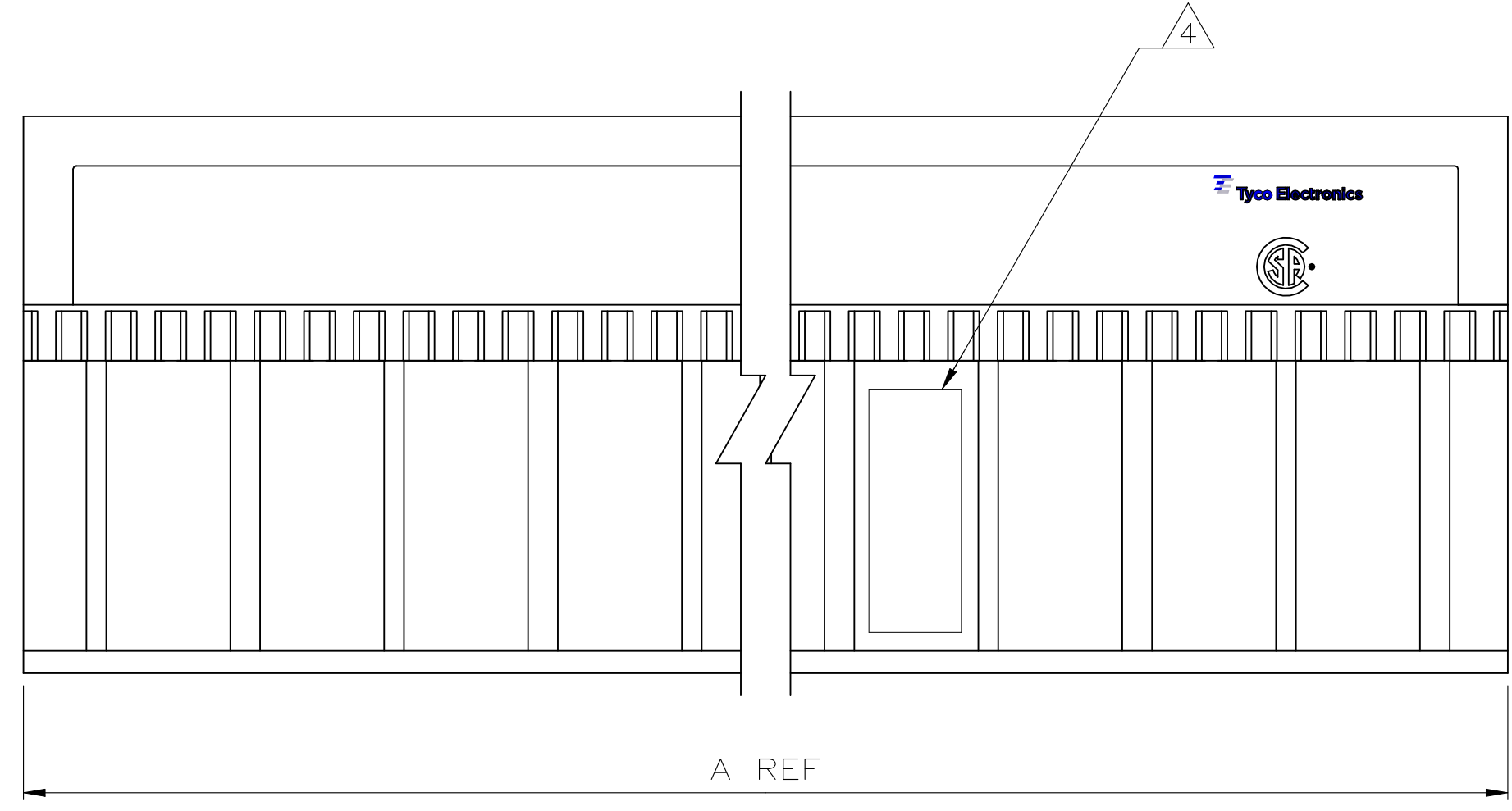
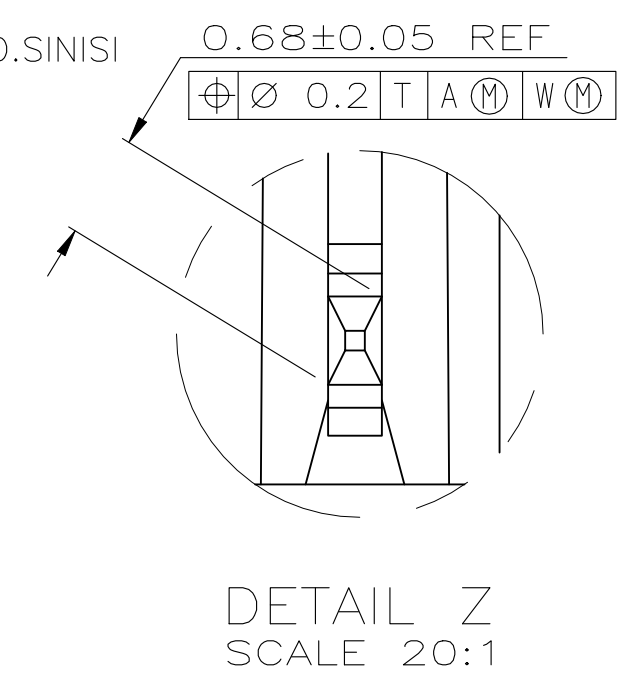


REVISIONS					
P	LTR	DESCRIPTION	DATE	DN	APPO
D2	REVISED PER	ECN-22-189270	13DEC2022	NV	HL



- ① HOUSING MATERIAL: LIQUID CRYSTAL POLYMER
COLOR: NATURAL.
- ② CONTACT MATERIAL: PHOSPHOR-BRONZE.
- ③ CONTACT FINISH:
UNDERPLATE (ENTIRE CONTACT):
0.00127 MIN NICKEL PER SAE-AMS-QQ-N-290
ON MATING SURFACES:
CONFORMS TO ALL TESTING SPECIFIED FOR TELCORDIA
UNCONTROLLED ENVIRONMENT.
ON LEADS:
0.0006 MIN MATTE TIN PER ASTM B 545 OVER UNDERPLATE.
LUBRICATION (MIN MATING SURFACES):
SURFACE CONDITIONER AFTER PLATING.
- ④ PART MARKING LOCATED APPROXIMATELY AS SHOWN.
- ⑤ CONTACT FINISH:
UNDERPLATE (ENTIRE CONTACT):
0.00127 MIN NICKEL PER SAE-AMS-QQ-N-290
ON MATING SURFACES:
0.00076 MIN NICKEL OR COBALT HARDENED GOLD
PER ASTM B-488 OVER UNDERPLATE.
ON LEADS:
0.0006 MIN MATTE TIN PER ASTM B 545 OVER UNDERPLATE.
LUBRICATION (MIN MATING SURFACES):
SURFACE CONDITIONER AFTER PLATING.
- ⑥ CONTACT FINISH:
UNDERPLATE (ENTIRE CONTACT):
0.00127 MIN NICKEL PER SAE-AMS-QQ-N-290
ON MATING SURFACES:
0.00127 MIN NICKEL OR COBALT HARDENED GOLD
PER ASTM B-488 OVER UNDERPLATE.
ON LEADS:
0.0006 MIN MATTE TIN PER ASTM B 545 OVER UNDERPLATE.
LUBRICATION (MIN MATING SURFACES):
SURFACE CONDITIONER AFTER PLATING.

⑦ OBSOLETE PARTS: OBSOLETE CIS STREAMLINING PER D.RENAUD/D.SINISI



⑦	OBSOLETE	YES	③	YES	10	5	11.88	30	4-5223008-1
	OBSOLETE	NO	⑤	NO	22	11	23.88	60	3-5223008-2
	OBSOLETE	NO	⑤	YES	10	5	11.88	30	3-5223008-1
	OBSOLETE	NO	⑤	NO	46	23	47.88	120	3-5223008-4
	OBSOLETE	NO	⑥	NO	46	23	47.88	120	2-5223008-4
		NO	③	NO	214	107	215.88	540	1-5223008-2
	OBSOLETE	NO	③	NO	130	65	131.88	330	1-5223008-1
		NO	③	NO	118	59	119.88	300	1-5223008-0
	OBSOLETE	NO	③	NO	106	53	107.88	270	5223008-9
		NO	③	NO	94	47	95.88	240	5223008-8
	OBSOLETE	NO	③	NO	82	41	83.88	210	5223008-7
		NO	③	NO	70	35	71.88	180	5223008-6
		NO	③	NO	58	29	59.88	150	5223008-5
		NO	③	NO	46	23	47.88	120	5223008-4
		NO	③	NO	34	17	35.88	90	5223008-3
		NO	③	NO	22	11	23.88	60	5223008-2
		NO	③	YES	10	5	11.88	30	5223008-1

RECOMMENDED CIRCUIT PATTERN
PER IPC-D300 TYPE II, CLASS C
(COMPONENT SIDE)

THIS DRAWING IS A CONTROLLED DOCUMENT.		DIN B MCMMASTER 22NOV04		STE TE Connectivity	
DIMENSIONS: mm		TOLERANCES UNLESS OTHERWISE SPECIFIED:		NAME ASSEMBLY, RECEPTACLE, SIGNAL, RIGHT ANGLE, Z-PACK 2mm FB, 5 ROW, PRESS FIT LEAD	
0. PLC ± -		1. PLC ± -		SIZE A1	
2. PLC ± 0.13		3. PLC ± -		CAGE CODE 00779	
4. PLC ± -		ANGLES ± -		DRAWING NO 5223008	
MATERIAL		FINISH		WEIGHT 0.000000	
① ②		③ ⑤		CUSTOMER DRAWING	
SCALE 4:1		SHEET 1 of 1		REV D2	