

## Product Change Notice (PCN)

**Subject:** Lokreel and Carrier Tape change for Renesas Product ISL91108\* WLCSP Packaged Product

**Publication Date:** 2/25/2019

**Effective Date:** 5/25/2019

**Revision Description:**

Initial Release

**Description of Change:**

Lokreel and Carrier Tape dimension change for Renesas Product ISL91108\* WLCSP Packaged Product

**Affected Product List**

ISL91108IIAZ-T	ISL91108IINZ-TR5691
ISL91108IIAZ-T7A	ISL91108IINZ-TS2720
ISL91108IINZ-T	
ISL91108IINZ-T7A	

**Reason for Change:**

This notice is to inform you that Renesas has qualified a change that standardizes the Lokreel and Carrier Tape used for tape and reel packing of the listed Renesas ISL91108\* WLCSP (Wafer Level Chip Scale Package) packaged products. The changes are not expected to affect the automated pick and place equipment used for board mount assembly operations. The differences are outlined in Appendix A.

**Impact on fit, form, function, quality & reliability:**

The change will have no impact on the form, fit, function, quality, device marking (branding), POD (Package Outline Drawing) or labeling of the product shipments. The remainder of the manufacturing operation (package level electrical testing, etc...) will continue to be processed to previously established conditions and systems.

**Product Identification:**

Product affected by this change is identifiable via Renesas’s internal traceability system.

**Qualification status:** Completed

**Sample availability:** 3/1/2019

**Device material declaration:** Available upon request

*Questions or requests pertaining to this change notice, including additional data or samples, must be sent to Renesas within 30 days of the publication date.*

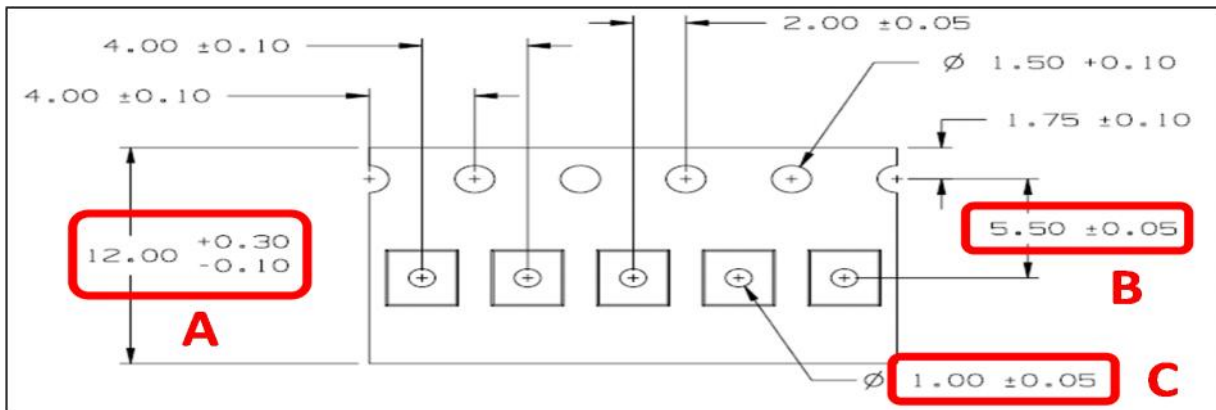
For additional information regarding this notice, please contact your regional change coordinator (below)			
Americas: <a href="mailto:PCN-US@RENESAS.COM">PCN-US@RENESAS.COM</a>	Europe: <a href="mailto:PCN-EU@RENESAS.COM">PCN-EU@RENESAS.COM</a>	Japan: <a href="mailto:PCN-JP@RENESAS.COM">PCN-JP@RENESAS.COM</a>	Asia Pac: <a href="mailto:PCN-APAC@RENESAS.COM">PCN-APAC@RENESAS.COM</a>

Appendix A – Comparison of Lokreel Dimension

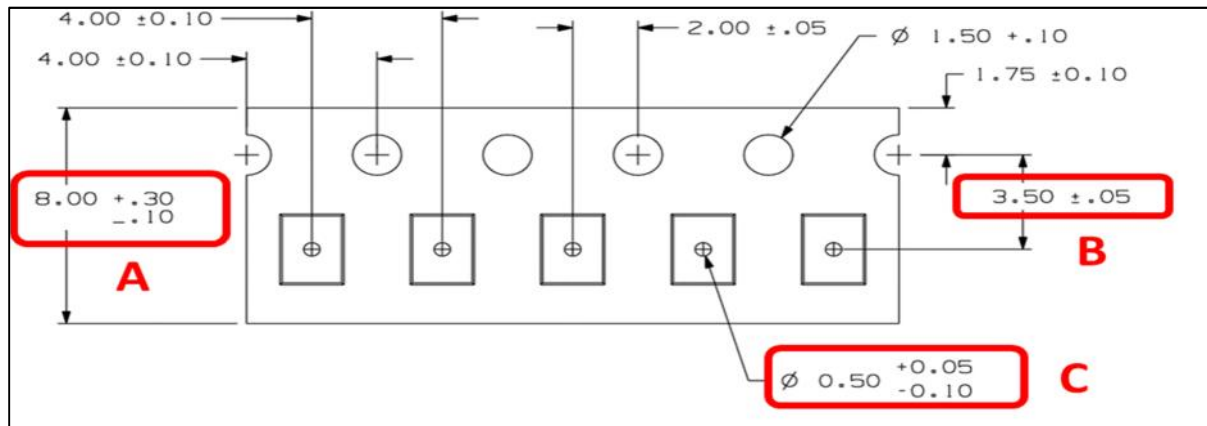
Dimension	Existing Reel	New Reel
Reel Width	12.40mm	8.40mm

Appendix B – Comparison of Carrier Tape Dimension

Existing Carrier Tape (12mm) - Top View



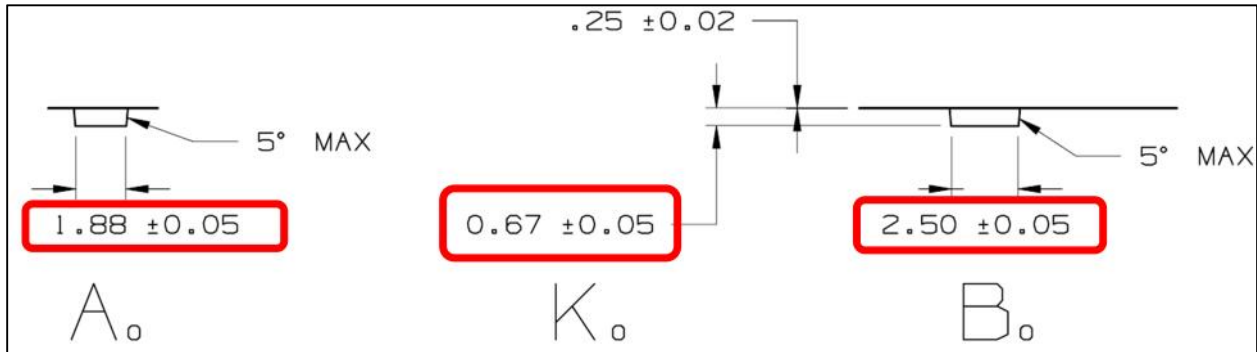
New Carrier Tape (8mm) – Top View



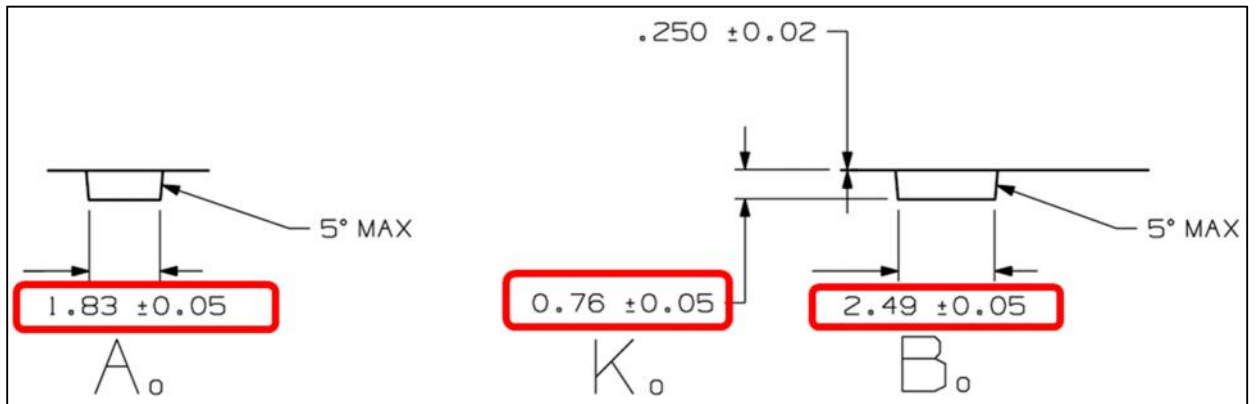
#	Code	Dimension	Existing Carrier Tape	New Carrier Tape
1	A	Carrier Tape Width	12.00 mm + 0.30 mm - 0.10 mm	8.00 mm + 0.30 mm - 0.10 mm
2	B	Index Hole to Pocket Hole Width	5.50 mm ± 0.05 mm	3.50 mm ± 0.05 mm
3	C	Pocket Hole Diameter	1.00 mm ± 0.05 mm	0.50 mm + 0.05 mm - 0.10 mm

Appendix B – Comparison of Carrier Tape Dimension (Cont')

Existing Carrier Tape (12mm) - Side View



New Carrier Tape (8mm) – Side View



#	Code	Dimension	Existing Carrier Tape	New Carrier Tape
1	A <sub>0</sub>	Pocket Width	1.88 mm ± 0.05 mm	1.83 mm ± 0.05 mm
2	K <sub>0</sub>	Pocket Depth	0.67 mm ± 0.05 mm	0.76 mm ± 0.05 mm
3	B <sub>0</sub>	Pocket Length	2.50 mm ± 0.05 mm	2.49 mm ± 0.05 mm