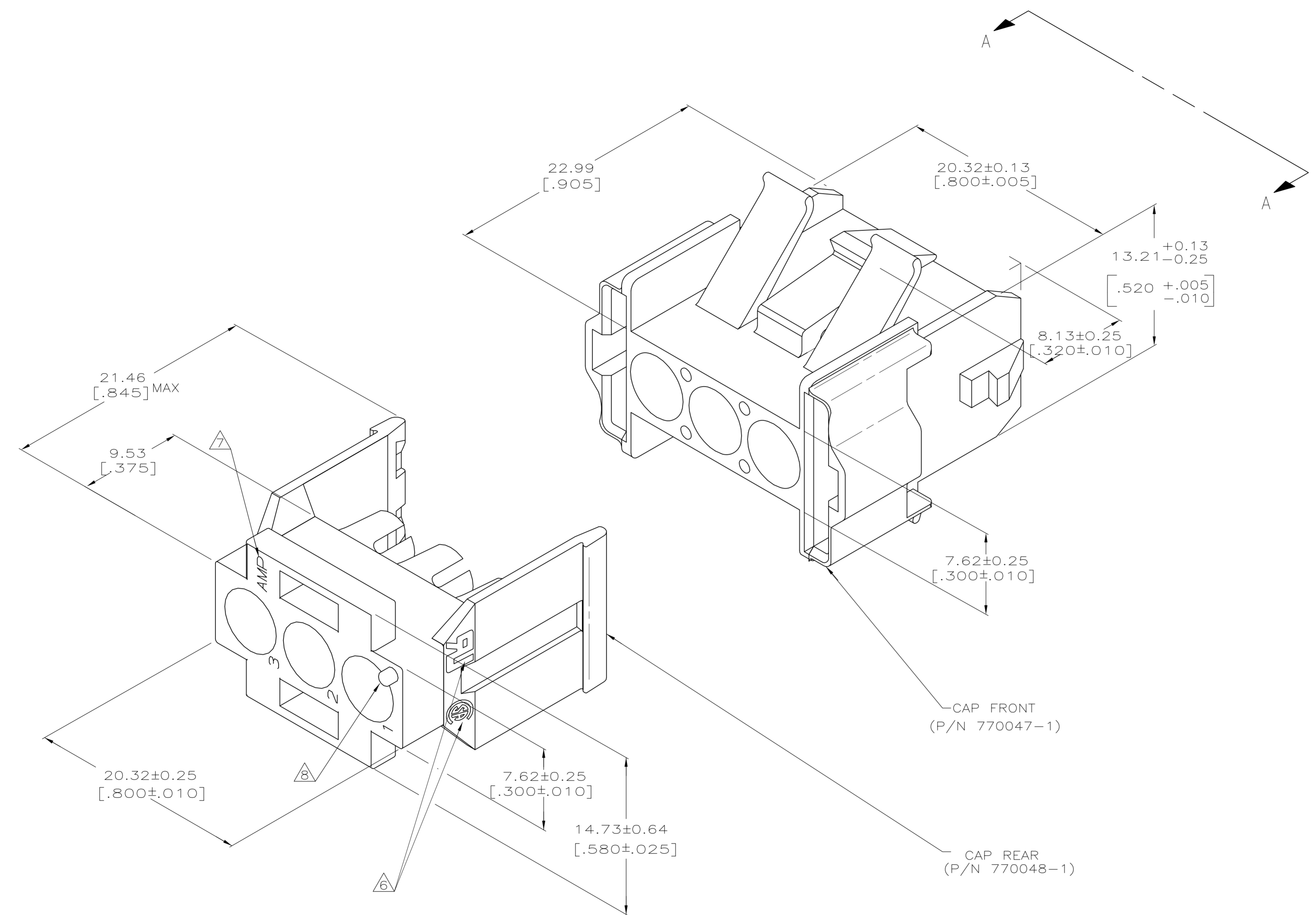
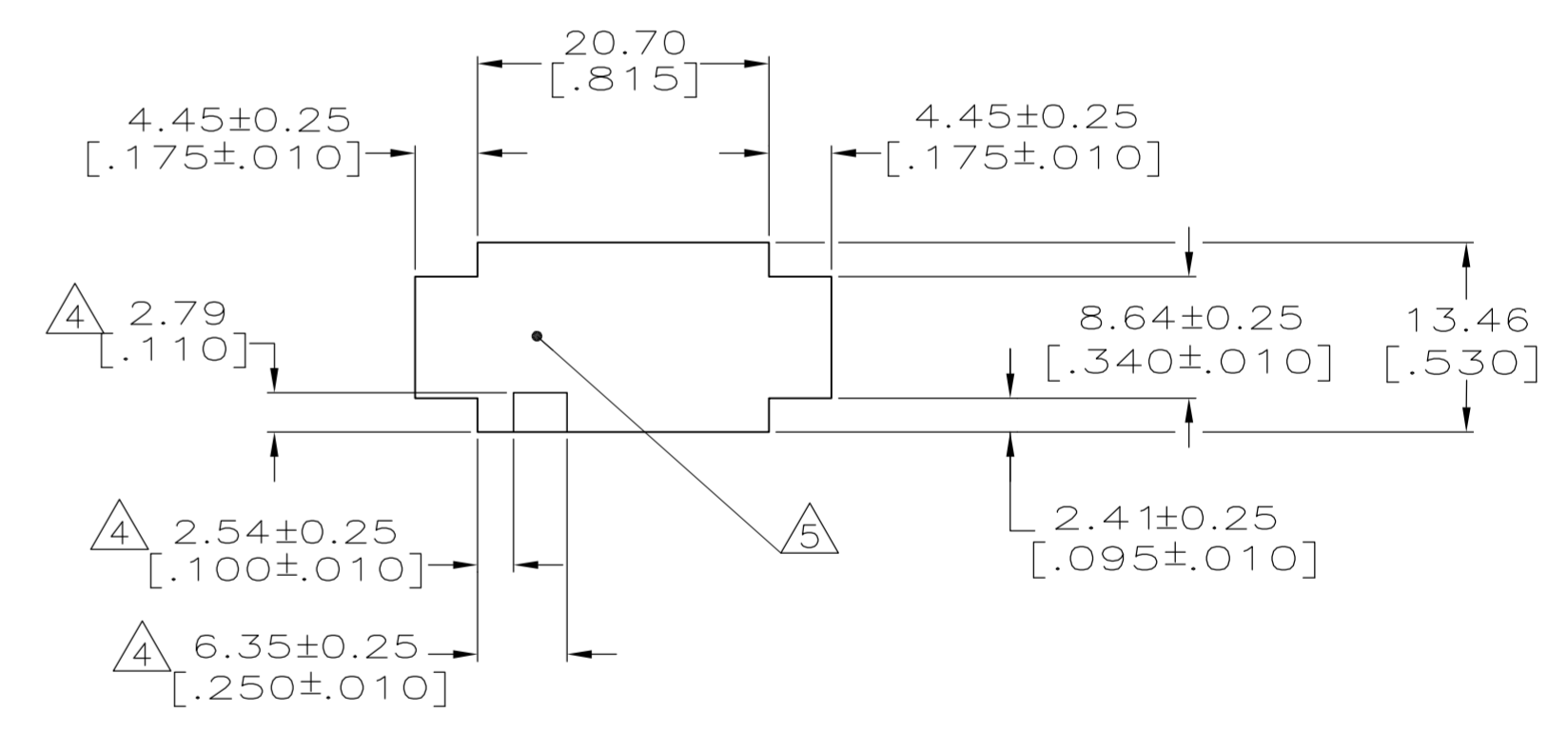


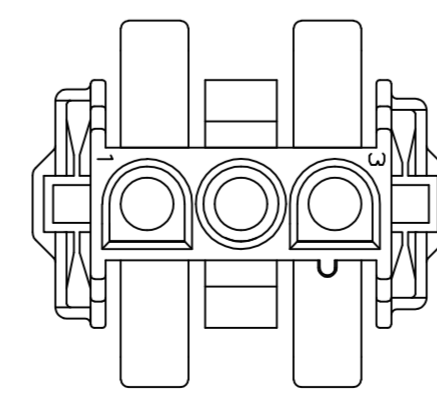
REVISIONS					
P	LTR	DESCRIPTION	DATE	OWN	APVD
H2		REVISED PER ECO-17-009556	03JUL2017	RS	SW



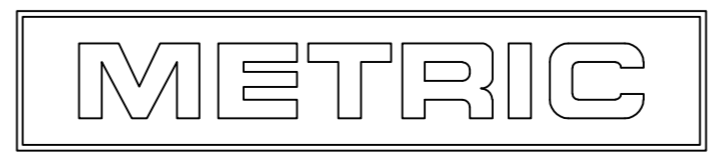
1. BULK PACKAGED, UNASSEMBLED.
2. RECOMMENDED PANEL THICKNESS 0.76-2.29 [.030-.090].
3. PANEL MUST BE PUNCHED SO THAT THE HOUSING ENTERS THE PANEL IN THE SAME DIRECTION AS THE PUNCH.
4. OPTIONAL FOR KEYING HOUSING IN PANEL.
5. CIRCUIT NO. 1 LOCATON.
6. APPROVAL AGENCY LOGO LOCATED APPROXIMATELY AS SHOWN.
7. AMP LOGO LOCATED THIS SURFACE.
8. CIRCUIT NUMBER ONE IDENTIFICATION BUTTON AND CIRCUIT IDENTIFICATION NUMBERS ARE EACH LOCATED ADJACENT TO THE APPROPRIATE CIRCUIT CAVITIES.
9. DIMENSIONS SHOWN REPRESENT PRODUCT IN DRY, AS MOLDED CONDITION. ADDITIONAL 2% GROWTH DUE TO SUBSEQUENT MOISTURE ABSORPTION MAY OCCUR AND SHOULD BE ACCOUNTED FOR



RECOMMENDED PANEL CUTOUT  
 (HOUSING ENTRY SIDE)  
 SCALE 2:1



VIEW A-A  
 SCALE 2:1



770025-1  
 PART NUMBER

THIS DRAWING IS A CONTROLLED DOCUMENT.		DWG K. SALMON 1-22-92	TE Connectivity
DIMENSIONS: INCHES		CHK R. SWING 1-22-92	
TOLERANCES UNLESS OTHERWISE SPECIFIED:		APP'D M. TRULL 1-22-92	NAME CAP HOUSING KIT, 3 CIRCUIT, IN-LINE, UNIVERSAL MATE-N-LOK
0. PLC ± -	1. PLC ± -	APPLICATION SPEC	SIZE A1
2. PLC ± -	3. PLC ± 0.13 [.005]	FINISH	CAGE CODE 770025
4. PLC ± -	ANGLES ± -	MATERIAL NYLON,UL94V-0,	WEIGHT 0.000000
CUSTOMER DRAWING		SCALE 5:1	SHEET 1 of 1
		REV H2	