



8M-BIT [1024K x 8 / 512K x 16] SINGLE VOLTAGE 5V ONLY FLASH MEMORY

FEATURES

GENERAL FEATURES

- Single Power Supply Operation
 - 4.5 to 5.5 volt for read, erase, and program operations
- 1,048,576 x 8 / 524,288 x 16 switchable
- Boot Sector Architecture
 - T = Top Boot Sector
 - B = Bottom Boot Sector
- Sector Structure
 - 16K-Byte x 1, 8K-Byte x 2, 32K-Byte x 1, and 64K-Byte x 15
- Sector protection
 - Hardware method to disable any combination of sectors from program or erase operations
 - Temporary sector unprotected allows code changes in previously locked sectors
- Latch-up protected to 100mA from -1V to Vcc + 1V
- Compatible with JEDEC standard
 - Pinout and software compatible to single power supply Flash

PERFORMANCE

- High Performance
 - Access time: 70ns
 - Byte/Word program time: 9us/11us (typical)
 - Erase time: 0.7s/sector, 8s/chip (typical)
- Low Power Consumption
 - Low active read current: 40mA (maximum) at 5MHz
 - Low standby current: 1uA (typical)
- Minimum 100,000 erase/program cycle
- 20 years data retention

SOFTWARE FEATURES

- Erase Suspend/ Erase Resume
 - Suspends sector erase operation to read data from or program data to another sector which is not being erased
- Status Reply
 - Data# Polling & Toggle bits provide detection of program and erase operation completion

HARDWARE FEATURES

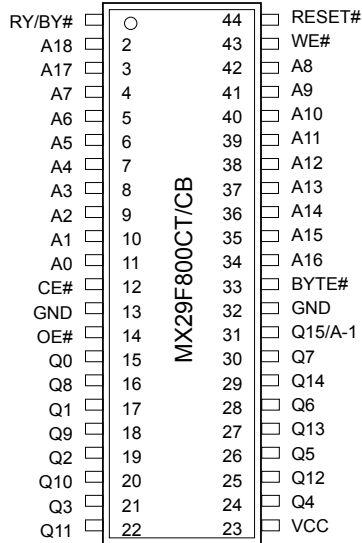
- Ready/Busy# (RY/BY#) Output
 - Provides a hardware method of detecting program and erase operation completion
- Hardware Reset (RESET#) Input
 - Provides a hardware method to reset the internal state machine to read mode

PACKAGE

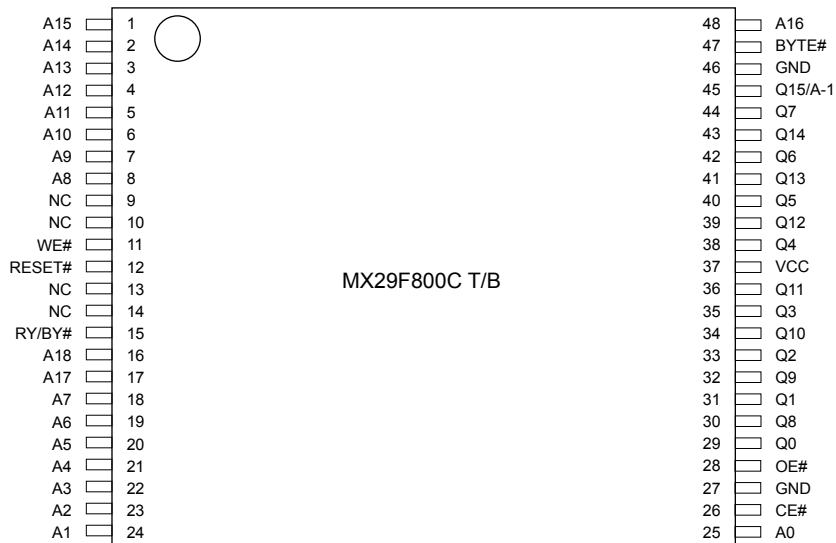
- 44-Pin SOP
- 48-Pin TSOP
- 48-Ball LFBGA (6x8mm)
- **All devices are RoHS Compliant**
- **All non RoHS Compliant devices are not recommended for new design in**

PIN CONFIGURATIONS

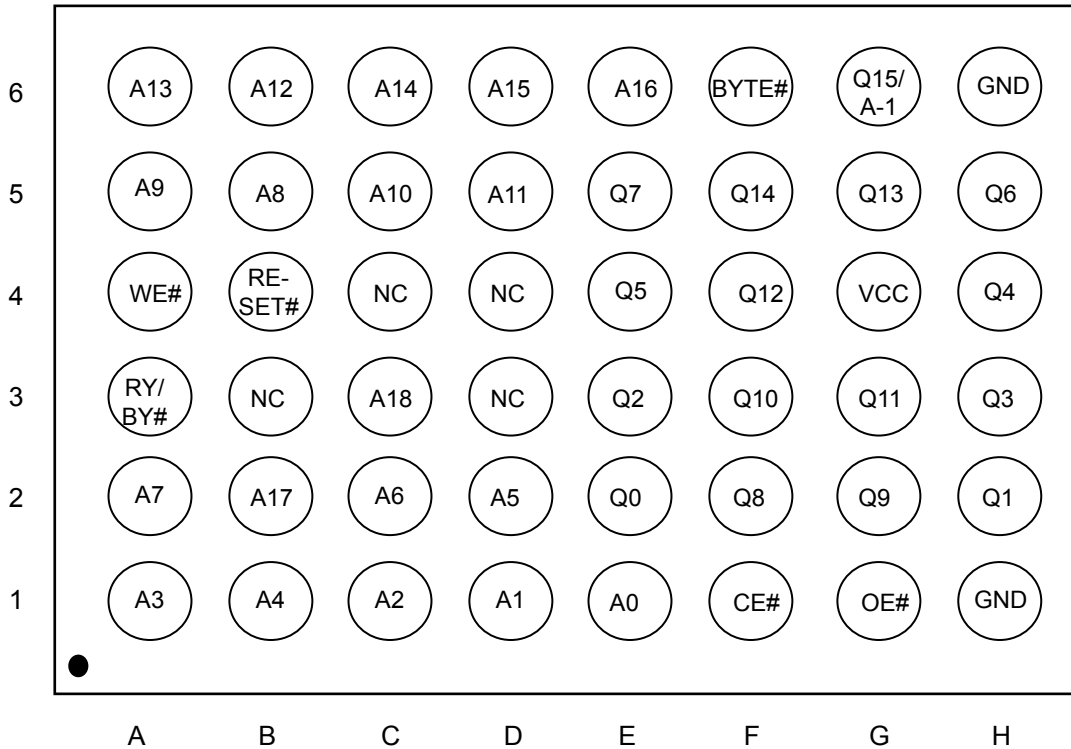
44 SOP(500mil)



48 TSOP(TYPE I) (12mm x 20mm)



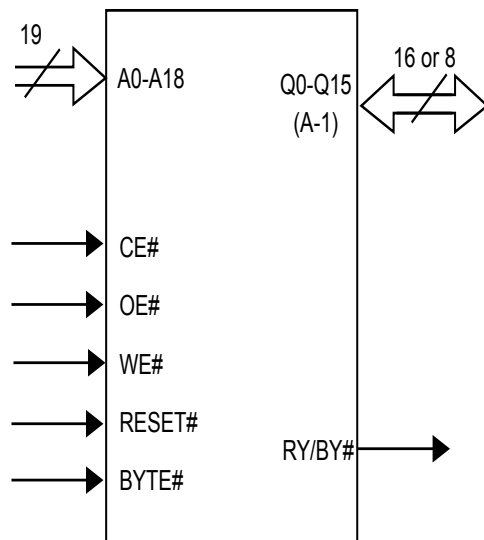
48-Ball LFBGA (6x8mm)



PIN DESCRIPTION

SYMBOL	PIN NAME
A0~A18	Address Input
Q0~Q14	Data Input/Output
Q15/A-1	Q15(Word mode)/LSB addr(Byte mode)
CE#	Chip Enable Input
WE#	Write Enable Input
BYTE#	Word/Byte Selection input
RESET#	Hardware Reset Pin/Sector Protect Unlock
OE#	Output Enable Input
RY/BY#	Ready/Busy Output
VCC	Power Supply Pin (+5V)
GND	Ground Pin

LOGIC SYMBOL



BLOCK DIAGRAM

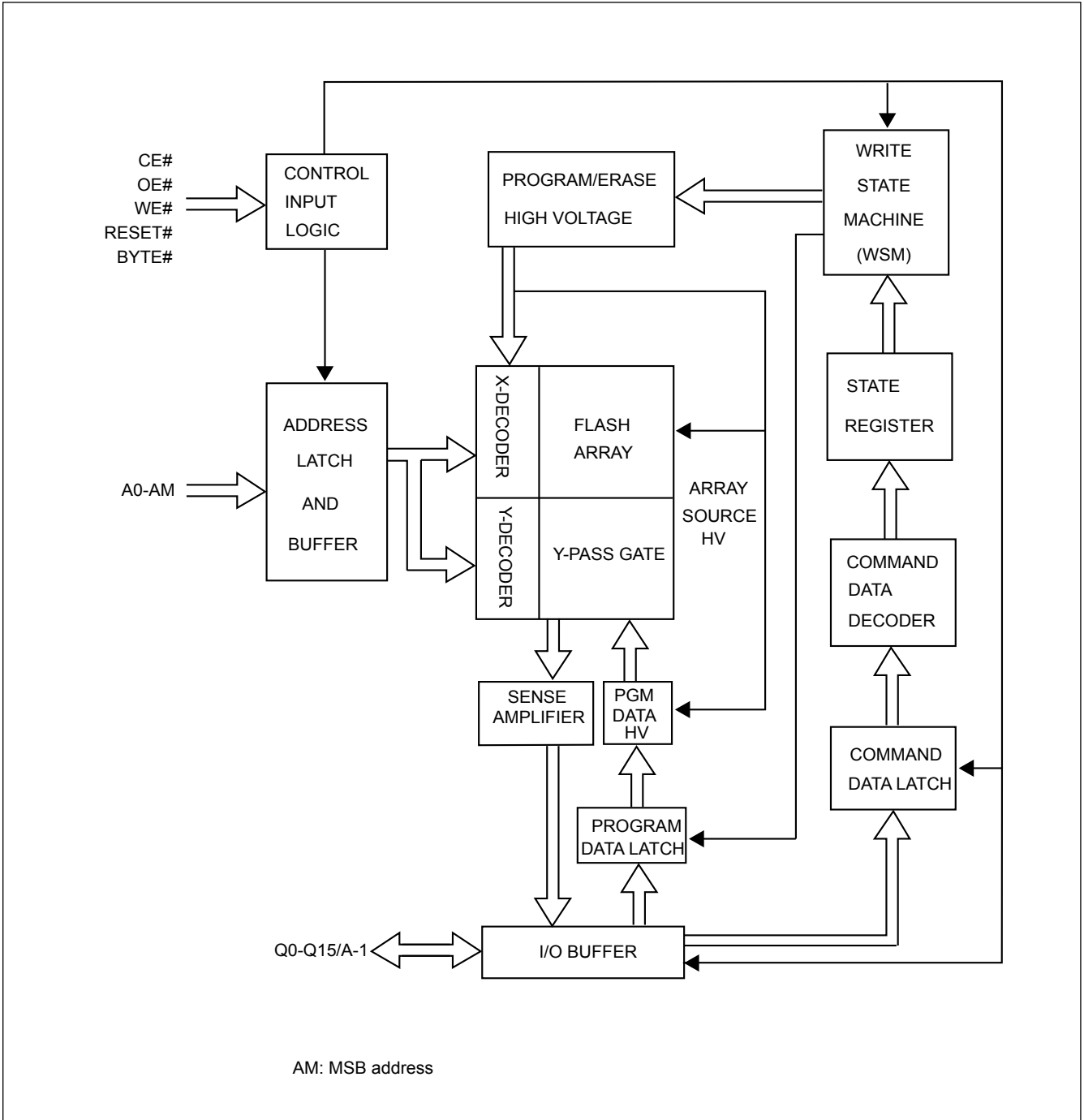


Table 1. SECTOR STRUCTURE

MX29F800CT TOP BOOT SECTOR ADDRESS TABLE

Sector	Sector Size		Address range		Sector Address						
	Byte Mode	Word Mode	Byte Mode (x8)	Word Mode(x16)	A18	A17	A16	A15	A14	A13	A12
SA0	64Kbytes	32Kwords	0000h-0FFFFh	0000h-07FFFh	0	0	0	0	X	X	X
SA1	64Kbytes	32Kwords	1000h-1FFFFh	0800h-0FFFFh	0	0	0	1	X	X	X
SA2	64Kbytes	32Kwords	2000h-2FFFFh	1000h-17FFFh	0	0	1	0	X	X	X
SA3	64Kbytes	32Kwords	3000h-3FFFFh	1800h-1FFFFh	0	0	1	1	X	X	X
SA4	64Kbytes	32Kwords	4000h-4FFFFh	2000h-27FFFh	0	1	0	0	X	X	X
SA5	64Kbytes	32Kwords	5000h-5FFFFh	2800h-2FFFFh	0	1	0	1	X	X	X
SA6	64Kbytes	32Kwords	6000h-6FFFFh	3000h-37FFFh	0	1	1	0	X	X	X
SA7	64Kbytes	32Kwords	7000h-7FFFFh	3800h-3FFFFh	0	1	1	1	X	X	X
SA8	64Kbytes	32Kwords	8000h-8FFFFh	4000h-47FFFh	1	0	0	0	X	X	X
SA9	64Kbytes	32Kwords	9000h-9FFFFh	4800h-4FFFFh	1	0	0	1	X	X	X
SA10	64Kbytes	32Kwords	A000h-AFFFFh	5000h-57FFFh	1	0	1	0	X	X	X
SA11	64Kbytes	32Kwords	B000h-BFFFFh	5800h-5FFFFh	1	0	1	1	X	X	X
SA12	64Kbytes	32Kwords	C000h-CFFFFh	6000h-67FFFh	1	1	0	0	X	X	X
SA13	64Kbytes	32Kwords	D000h-DFFFFh	6800h-6FFFFh	1	1	0	1	X	X	X
SA14	64Kbytes	32Kwords	E000h-EFFFFh	7000h-77FFFh	1	1	1	0	X	X	X
SA15	32Kbytes	16Kwords	F000h-F7FFFh	7800h-7BFFFh	1	1	1	1	0	X	X
SA16	8Kbytes	4Kwords	F800h-F9FFFh	7C00h-7CFFFh	1	1	1	1	1	0	0
SA17	8Kbytes	4Kwords	FA00h-FBFFFh	7D00h-7DFFFh	1	1	1	1	1	0	1
SA18	16Kbytes	8Kwords	FC00h-FFFFh	7E00h-7FFFFh	1	1	1	1	1	1	X

MX29F800CB BOTTOM BOOT SECTOR ADDRESS TABLE

Sector	Sector Size		Address range		Sector Address						
	Byte Mode	Word Mode	Byte Mode (x8)	Word Mode(x16)	A18	A17	A16	A15	A14	A13	A12
SA0	16Kbytes	8Kwords	0000h-03FFFh	0000h-01FFFh	0	0	0	0	0	0	X
SA1	8Kbytes	4Kwords	0400h-05FFFh	0200h-02FFFh	0	0	0	0	0	1	0
SA2	8Kbytes	4Kwords	0600h-07FFFh	0300h-03FFFh	0	0	0	0	0	1	1
SA3	32Kbytes	16Kwords	0800h-0FFFFh	0400h-07FFFh	0	0	0	0	1	X	X
SA4	64Kbytes	32Kwords	1000h-1FFFFh	0800h-0FFFFh	0	0	0	1	X	X	X
SA5	64Kbytes	32Kwords	2000h-2FFFFh	1000h-17FFFh	0	0	1	0	X	X	X
SA6	64Kbytes	32Kwords	3000h-3FFFFh	1800h-1FFFFh	0	0	1	1	X	X	X
SA7	64Kbytes	32Kwords	4000h-4FFFFh	2000h-27FFFh	0	1	0	0	X	X	X
SA8	64Kbytes	32Kwords	5000h-5FFFFh	2800h-2FFFFh	0	1	0	1	X	X	X
SA9	64Kbytes	32Kwords	6000h-6FFFFh	3000h-37FFFh	0	1	1	0	X	X	X
SA10	64Kbytes	32Kwords	7000h-7FFFFh	3800h-3FFFFh	0	1	1	1	X	X	X
SA11	64Kbytes	32Kwords	8000h-8FFFFh	4000h-47FFFh	1	0	0	0	X	X	X
SA12	64Kbytes	32Kwords	9000h-9FFFFh	4800h-4FFFFh	1	0	0	1	X	X	X
SA13	64Kbytes	32Kwords	A000h-AFFFFh	5000h-57FFFh	1	0	1	0	X	X	X
SA14	64Kbytes	32Kwords	B000h-BFFFFh	5800h-5FFFFh	1	0	1	1	X	X	X
SA15	64Kbytes	32Kwords	C000h-CFFFFh	6000h-67FFFh	1	1	0	0	X	X	X
SA16	64Kbytes	32Kwords	D000h-DFFFFh	6800h-6FFFFh	1	1	0	1	X	X	X
SA17	64Kbytes	32Kwords	E000h-EFFFFh	7000h-77FFFh	1	1	1	0	X	X	X
SA18	64Kbytes	32Kwords	F000h-FFFFh	7800h-7FFFFh	1	1	1	1	X	X	X

Note: Address range is A18~A-1 in byte mode and A18~A0 in word mode.

Table 2. BUS OPERATION

Mode	Pins	CE#	OE#	WE#	RESET#	A0	A1	A6	A9	Q0 ~ Q15
Read Silicon ID Manufacture Code		L	L	H	H	L	L	X	Vhv	C2H (Byte mode) 00C2H (Word mode)
Read Silicon ID Device Code		L	L	H	H	H	L	X	Vhv	D6/58 (Byte mode) 22D6/2258(Word mode)
Read		L	L	H	H	A0	A1	A6	A9	D _{OUT}
Standby		H	X	X	H	X	X	X	X	HIGH Z
Output Disable		L	H	H	H	X	X	X	X	HIGH Z
Write		L	H	L	H	A0	A1	A6	A9	D _{IN}
Sector Protect		L	H	L	Vhv	L	H	L	X	D _{IN}
Chip Unprotect		L	H	L	Vhv	L	H	H	X	D _{IN}
Verify Sector Protect/Unprotect		L	L	H	H	L	H	L	Vhv	Code(4)
Reset		X	X	X	L	X	X	X	X	HIGH Z

Notes:

1. Vhv is the very high voltage, 11.5V to 12.5V.
2. X means input high (Vih) or input low (Vil).
3. SA means sector address: A12~A18.
4. Code=00H/XX00H means unprotected.
Code=01H/XX01H means protected.

REQUIREMENTS FOR READING ARRAY DATA

Read array action is to read the data stored in the array out. While the memory device is in powered up or has been reset, it will automatically enter the status of read array. If the microprocessor wants to read the data stored in array, it has to drive CE# (device enable control pin) and OE# (Output control pin) as V_{il} , and input the address of the data to be read into address pin at the same time. After a period of read cycle (T_{ce} or T_{aa}), the data being read out will be displayed on output pin for microprocessor to access. If CE# or OE# is V_{ih} , the output will be in tri-state, and there will be no data displayed on output pin at all.

After the memory device completes embedded operation (automatic Erase or Program), it will automatically return to the status of read array, and the device can read the data in any address in the array. In the process of erasing, if the device receives the Erase suspend command, erase operation will be stopped after a period of time no more than T_{eady} and the device will return to the status of read array. At this time, the device can read the data stored in any address except the sector being erased in the array. In the status of erase suspend, if user wants to read the data in the sectors being erased, the device will output status data onto the output. Similarly, if program command is issued after erase suspend, after program operation is completed, system can still read array data in any address except the sectors to be erased.

The device needs to issue reset command to enable read array operation again in order to arbitrarily read the data in the array in the following two situations:

1. In program or erase operation, the programming or erasing failure causes Q5 to go high.
2. The device is in auto select mode.

In the two situations above, if reset command is not issued, the device is not in read array mode and system must issue reset command before reading array data.

WRITE COMMANDS/COMMAND SEQUENCES

To write a command to the device, system must drive WE# and CE# to V_{il} , and OE# to V_{ih} . In a command cycle, all address are latched at the later falling edge of CE# and WE#, and all data are latched at the earlier rising edge of CE# and WE#.

Figure 1 illustrates the AC timing waveform of a write command, and Table 3 defines all the valid command sets of the device. System is not allowed to write invalid commands not defined in this datasheet. Writing an invalid command will bring the device to an undefined state.

RESET# OPERATION

Driving RESET# pin low for a period more than T_{rp} will reset the device back to read mode. If the device is in program or erase operation, the reset operation will take at most a period of T_{eady} for the device to return to read array mode. Before the device returns to read array mode, the RY/BY# pin remains low (busy status).

When RESET# pin is held at $GND \pm 0.3V$, the device consumes standby current (I_{sb}). However, device draws larger current if RESET# pin is held at V_{il} but not within $GND \pm 0.3V$.

It is recommended that the system to tie its reset signal to RESET# pin of flash memory, so that the flash memory will be reset during system reset and allows system to read boot code from flash memory.

SECTOR PROTECT OPERATION

When a sector is protected, program or erase operation will be disabled on these sectors. MX29F800C T/B provides one method for sector protection.

Once the sector is protected, the sector remains protected until next chip unprotect, or is temporarily unprotected by asserting RESET# pin at V_h. Refer to temporary sector unprotect operation for further details.

This method is by applying V_h on RESET# pin. Refer to Figure 12 for timing diagram and Figure 13 for the algorithm for this method.

CHIP UNPROTECT OPERATION

MX29F800C T/B provides one method for chip unprotect. The chip unprotect operation unprotects all sectors within the device. It is recommended to protect all sectors before activating chip unprotect mode. All sectors are unprotected when shipped from the factory.

This method is by applying V_h on RESET# pin. Refer to Figure 12 for timing diagram and Figure 13 for algorithm of the operation.

TEMPORARY SECTOR UNPROTECT OPERATION

System can apply RESET# pin at V_h to place the device in temporary unprotect mode. In this mode, previously protected sectors can be programmed or erased just as it is unprotected. The device returns to normal operation once V_h is removed from RESET# pin and previously protected sectors are again protected.

AUTOMATIC SELECT OPERATION

When the device is in Read array mode or erase-suspended read array mode, user can issue read silicon ID command to enter read silicon ID mode. After entering read silicon ID mode, user can query several silicon IDs continuously and does not need to issue read silicon ID mode again. When A0 is Low, device will output Macronix Manufacture ID C2. When A0 is high, device will output Device ID. In read silicon ID mode, issuing reset command will reset device back to read array mode or erase-suspended read array mode.

Another way to enter read silicon ID is to apply high voltage on A9 pin with CE#, OE# and A1 at V_{il}. While the high voltage of A9 pin is discharged, device will automatically leave read silicon ID mode and go back to read array mode or erase-suspended read array mode. When A0 is Low, device will output Macronix Manufacture ID C2. When A0 is high, device will output Device ID.

VERIFY SECTOR PROTECT STATUS OPERATION

MX29F800C T/B provides hardware sector protection against Program and Erase operation for protected sectors. The sector protect status can be read through Sector Protect Verify command. This method requires V_{hv} on A9 pin, V_{ih} on WE# and A1 pins, V_{il} on CE#, OE#, A6 and A0 pins, and sector address on A12 to A17 pins. If the read out data is 01H, the designated sector is protected. Oppositely, if the read out data is 00H, the designated sector is still not being protected.

DATA PROTECTION

To avoid accidental erasure or programming of the device, the device is automatically reset to read array mode during power up. Besides, only after successful completion of the specified command sets will the device begin its erase or program operation.

Other features to protect the data from accidental alternation are described as followed.

WRITE PULSE "GLITCH" PROTECTION

CE#, WE#, OE# pulses shorter than 5ns are treated as glitches and will not be regarded as an effective write cycle.

LOGICAL INHIBIT

A valid write cycle requires both CE# and WE# at V_{il} with OE# at V_{ih} . Write cycle is ignored when either CE# at V_{ih} , WE# at V_{ih} , or OE# at V_{il} .

POWER-UP SEQUENCE

Upon power up, MX29F800C T/B is placed in read array mode. Furthermore, program or erase operation will begin only after successful completion of specified command sequences.

POWER-UP WRITE INHIBIT

When WE#, CE# is held at V_{il} and OE# is held at V_{ih} during power up, the device ignores the first command on the rising edge of WE#.

POWER SUPPLY DECOUPLING

A 0.1uF capacitor should be connected between the Vcc and GND to reduce the noise effect.



TABLE 3. MX29F800C T/B COMMAND DEFINITIONS

Command		Read Mode	Reset Mode	Automatic Select					
				Manufacturer ID		Device ID		Sector Protect Verify	
				Word	Byte	Word	Byte	Word	Byte
1st Bus Cycle	Addr	Addr	XXX	555	AAA	555	AAA	555	AAA
	Data	Data	F0	AA	AA	AA	AA	AA	AA
2nd Bus Cycle	Addr			2AA	555	2AA	555	2AA	555
	Data			55	55	55	55	55	55
3rd Bus Cycle	Addr			555	AAA	555	AAA	555	AAA
	Data			90	90	90	90	90	90
4th Bus Cycle	Addr			X00	X00	X01	X02	(Sector)X02	(Sector)X04
	Data			00C2	C2	ID	ID	XX00/XX01	00/01
5th Bus Cycle	Addr								
	Data								
6th Bus Cycle	Addr								
	Data								

Command		Program		Chip Erase		Sector Erase		Erase Suspend	Erase Resume	Sector Protect	
		Word	Byte	Word	Byte	Word	Byte			Word	Byte
1st Bus Cycle	Addr	555	AAA	555	AAA	555	AAA	Sector	Sector	XXX	XXX
	Data	AA	AA	AA	AA	AA	AA	B0	30	60	60
2nd Bus Cycle	Addr	2AA	555	2AA	555	2AA	555			sector	sector
	Data	55	55	55	55	55	55			60	60
3rd Bus Cycle	Addr	555	AAA	555	AAA	555	AAA			sector	sector
	Data	A0	A0	80	80	80	80			40	40
4th Bus Cycle	Addr	Addr	Addr	555	AAA	555	AAA			sector	sector
	Data	Data	Data	AA	AA	AA	AA			00/01	00/01
5th Bus Cycle	Addr			2AA	555	2AA	555				
	Data			55	55	55	55				
6th Bus Cycle	Addr			555	AAA	Sector	Sector				
	Data			10	10	30	30				

Notes:

1. Device ID: 22D6H/D6H for Top Boot Sector device.
2258H/58H for Bottom Boot Sector device.
2. For sector protect verify result, XX00H/00H means sector is not protected, XX01H/01H means sector has been protected.
3. Sector Protect command is valid during V_{hv} at RESET# pin, V_{ih} at A1 pin and V_{il} at A0, A6 pins. The last Bus cyc is for protect verify.
4. It is not allowed to adopt any other code which is not in the above command definition table.

RESET

In the following situations, executing reset command will reset device back to read array mode:

- Among erase command sequence (before the full command set is completed)
- Sector erase time-out period
- Erase fail (while Q5 is high)
- Among program command sequence (before the full command set is completed, erase-suspended program included)
- Program fail (while Q5 is high, and erase-suspended program fail is included)
- Read silicon ID mode
- Sector protect verify

While device is at the status of program fail or erase fail (Q5 is high), user must issue reset command to reset device back to read array mode. While the device is in read silicon ID mode or sector protect verify mode, user must issue reset command to reset device back to read array mode.

When the device is in the progress of programming (not program fail) or erasing (not erase fail), device will ignore reset command.

AUTOMATIC SELECT COMMAND SEQUENCE

Automatic Select mode is used to access the manufacturer ID, device ID and to verify whether or not a sector is protected. The automatic select mode has four command cycles. The first two are unlock cycles, and followed by a specific command. The fourth cycle is a normal read cycle, and user can read at any address any number of times without entering another command sequence. The reset command is necessary to exit the Automatic Select mode and back to read array. The following table shows the identification code with corresponding address.

		Address	Data (Hex)	Representation
Manufacturer ID	Word	X00	00C2	
	Byte	X00	C2	
Device ID	Word	X01	22D6/2258	Top/Bottom Boot Sector
	Byte	X02	D6/58	Top/Bottom Boot Sector
Sector Protect Verify	Word	(Sector address) X 02	00/01	Unprotected/protected
	Byte	(Sector address) X 04	00/01	Unprotected/protected

There is an alternative method to that shown in Table 2, which is intended for EPROM programmers and requires V_{hv} on address bit A9.

AUTOMATIC PROGRAMMING

The MX29F800C T/B can provide the user program function by the form of Byte-Mode or Word-Mode. As long as the users enter the right cycle defined in the Table.3 (including 2 unlock cycles and A0H), any data user inputs will automatically be programmed into the array.

Once the program function is executed, the internal write state controller will automatically execute the algorithms and timings necessary for program and verification, which includes generating suitable program pulse, verifying whether the threshold voltage of the programmed cell is high enough and repeating the program pulse if any of the cells does not pass verification. Meanwhile, the internal control will prohibit the programming to cells that pass verification while the other cells fail in verification in order to avoid over-programming.

Programming will only change the bit status from "1" to "0". That is to say, it is impossible to convert the bit status from "0" to "1" by programming. Meanwhile, the internal write verification only detects the errors of the "1" that is not successfully programmed to "0".

Any command written to the device during programming will be ignored except hardware reset, which will terminate the program operation after a period of time no more than Tready. When the embedded program algorithm is complete or the program operation is terminated by hardware reset, the device will return to the reading array data mode.

With the internal write state controller, the device requires the user to write the program command and data only. The typical chip program time at room temperature of the MX29F800C T/B is 3 seconds. (Word-Mode)

When the embedded program operation is on going, user can confirm if the embedded operation is finished or not by the following methods:

Status	Q7	Q6	Q5	RY/BY#*2
In progress*1	Q7#	Toggling	0	0
Finished	Q7	Stop toggling	0	1
Exceed time limit	Q7#	Toggling	1	0

*1: The status "in progress" means both program mode and erase-suspended program mode.

*2: RY/BY# is an open drain output pin and should be weakly connected to VDD through a pull-up resistor.

*3: When an attempt is made to program a protected sector, Q7 will output its complement data or Q6 continues to toggle for about 1us and the device returns to read array state without programming the data in the protected sector.

CHIP ERASE

Chip Erase is to erase all the data with "1" and "0" as all "1". It needs 6 cycles to write the action in, and the first two cycles are "unlock" cycles, the third one is a configuration cycle, the fourth and fifth are also "unlock" cycles, and the sixth cycle is the chip erase operation.

During chip erasing, all the commands will not be accepted except hardware rests or the working voltage is too low that chip erase will be interrupted. After Chip Erase, the chip will return to the state of Read Array.

When the embedded chip erase operation is on going, user can confirm if the embedded operation is finished or not by the following methods:

Status	Q7	Q6	Q5	Q2	RY/BY#
In progress	0	Toggling	0	Toggling	0
Finished	1	Stop toggling	0	1	1
Exceed time limit	0	Toggling	1	Toggling	0

SECTOR ERASE

Sector Erase is to erase all the data in a sector with "1" and "0" as all "1". It requires six command cycles to issue. The first two cycles are "unlock cycles", the third one is a configuration cycle, the fourth and fifth are also "unlock cycles" and the sixth cycle is the sector erase command. After the sector erase command sequence is issued, there is a time-out period of 40us counted internally. During the time-out period, additional sector address and sector erase command can be written multiply. Once user enters another sector erase command, the time-out period of 40us is recounted. If user enters any command other than sector erase or erase suspend during time-out period, the erase command would be aborted and the device is reset to read array condition. The number of sectors could be from one sector to all sectors. After time-out period passing by, additional erase command is not accepted and erase embedded operation begins.

During sector erasing, all commands will not be accepted except hardware reset and erase suspend and user can check the status as chip erase.

When the embedded erase operation is on going, user can confirm if the embedded operation is finished or not by the following methods:

Status	Q7	Q6	Q5	Q3	Q2	RY/BY#*2
Time-out period	0	Toggling	0	0	Toggling	0
In progress	0	Toggling	0	1	Toggling	0
Finished	1	Stop toggling	0	1	1	1
Exceed time limit	0	Toggling	1	1	Toggling	0

*1: The status Q3 is the time-out period indicator. When Q3=0, the device is in time-out period and is acceptable to another sector address to be erased. When Q3=1, the device is in erase operation and only erase suspend is valid.

*2: RY/BY# is open drain output pin and should be weakly connected to VDD through a pull-up resistor.

*3: When an attempt is made to erase a protected sector, Q7 will output its complement data or Q6 continues to toggle for 100us and the device returned to read array status without erasing the data in the protected sector.

SECTOR ERASE SUSPEND

During sector erasure, sector erase suspend is the only valid command. If user issue erase suspend command in the time-out period of sector erasure, device time-out period will be over immediately and the device will go back to erase-suspended read array mode. If user issue erase suspend command during the sector erase is being operated, device will suspend the ongoing erase operation, and after the Tready1(<=20us) suspend finishes and the device will enter erase-suspended read array mode. User can judge if the device has finished erase suspend through Q6, Q7, and RY/BY#.

After device has entered erase-suspended read array mode, user can read other sectors not at erase suspend by the speed of Taa; while reading the sector in erase-suspend mode, device will output its status. User can use Q6 and Q2 to judge the sector is erasing or the erase is suspended.

Status	Q7	Q6	Q5	Q3	Q2	RY/BY#
Erase suspend read in erase suspended sector	1	No toggle	0	N/A	Toggle	1
Erase suspend read in non-erase suspended sector	Data	Data	Data	Data	Data	1
Erase suspend program in non-erase suspended sector	Q7#	Toggle	0	N/A	N/A	0

When the device has suspended erasing, user can execute the command sets except sector erase and chip erase, such as read silicon ID, sector protect verify, program, and erase resume.

SECTOR ERASE RESUME

Sector erase resume command is valid only when the device is in erase suspend state. After erase resume, user can issue another erase suspend command, but there should be a 400us interval between erase resume and the next erase suspend. If user issue infinite suspend-resume loop, or suspend-resume exceeds 1024 times, the time for erasing will increase.



ABSOLUTE MAXIMUM STRESS RATINGS

Surrounding Temperature with Bias		-65°C to +125°C
Storage Temperature		-65°C to +150°C
Voltage Range	VCC	-0.5V to +7.0V
	RESET#, A9	-0.5V to +12.5V
	The other pins.	-0.5V to VCC+0.7V
Output Short Circuit Current (less than one second)		200 mA

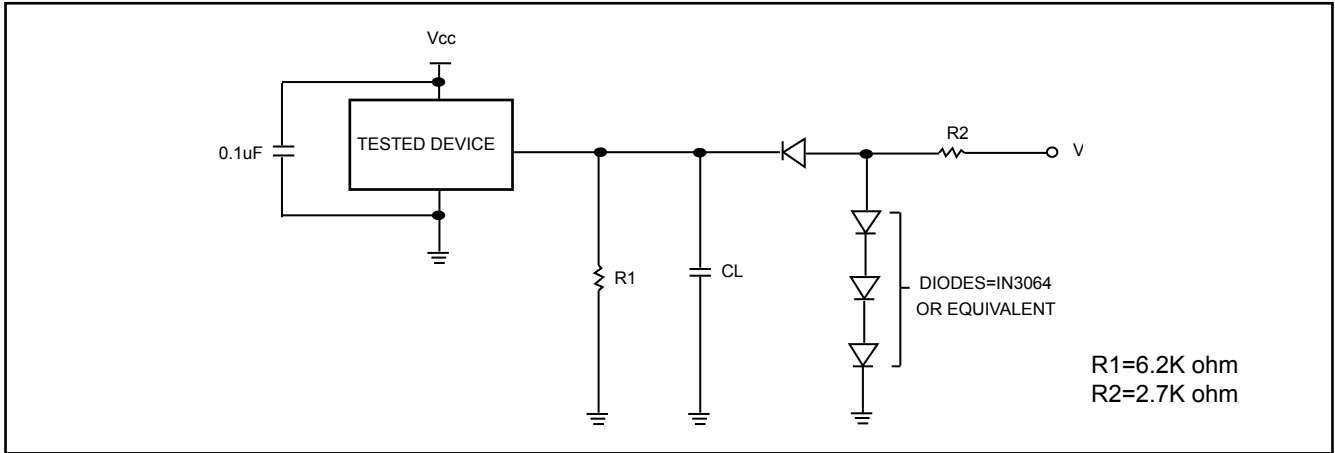
OPERATING TEMPERATURE AND VOLTAGE

Commercial (C) Grade	Surrounding Temperature (T _A)	0°C to +70°C
Industrial (I) Grade	Surrounding Temperature (T _A)	-40°C to +85°C
VCC Supply Voltages	VCC range	+4.5 V to 5.5 V

DC CHARACTERISTICS

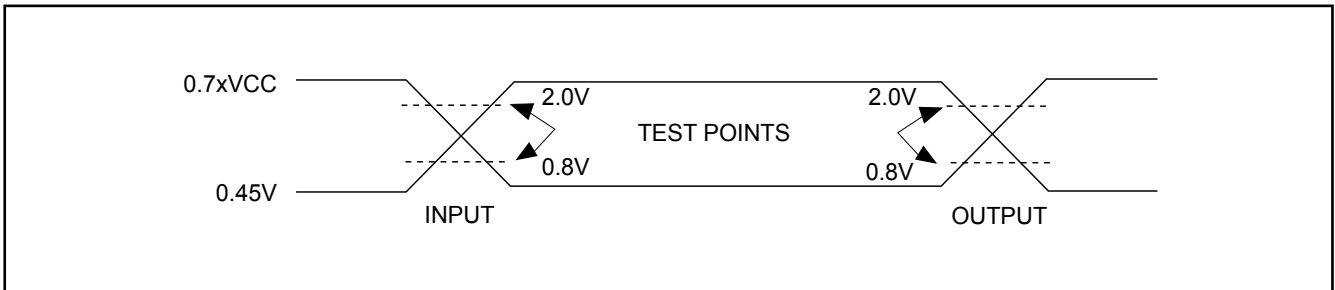
Symbol	Description	Min.	Typ.	Max.	Remark
Iilk	Input Leak			±1.0uA	
Iolk	Output Leak			10uA	
Iilk9	A9 Leak			35uA	A9: 12.5V
Icr1	Read Current (10MHz)			50mA	CE#=Vil, OE#=Vih
Icr2	Read Current (5MHz)			40mA	CE#=Vil, OE#=Vih
I _{sb1}	Standby Current (TTL)			1mA	V _{cc} =V _{cc} max, CE#=Vih other pin disable
I _{sb2}	Standby current (CMOS)		1uA	50uA	V _{cc} =V _{cc} max, CE#=vcc +0.3V, other pin disable
I _{cw}	Write Current			50mA	CE#=Vil, OE#=Vih, WE#=Vil
V _{il}	Input Low Voltage	-0.3V		0.8V	
V _{ih}	Input High Voltage	0.7xV _{cc}		V _{cc} +0.3V	
V _{hv}	Very High Voltage for hardware Protect/ Unprotect/Auto Select/ Temporary Unprotect	11.5V	12V	12.5V	
V _{ol}	Output Low Voltage			0.45V	I _{ol} =2.1mA, V _{cc} =V _{cc} min
V _{oh1}	Ouput High Voltage (TTL)	2.4V			I _{oh1} =-2mA
V _{oh2}	Ouput High Voltage (CMOS)	V _{cc} -0.4V			I _{oh2} =-100uA

SWITCHING TEST CIRCUITS



Test Condition
 Output Load : 1 TTL gate
 Output Load Capacitance, CL : 30PF for 70ns
 Rise/Fall Times : 10ns
 Input pulse levels: 0.45V/0.7xVcc
 Reference levels for measuring timing :0.8V, 2.0V

SWITCHING TEST WAVEFORMS

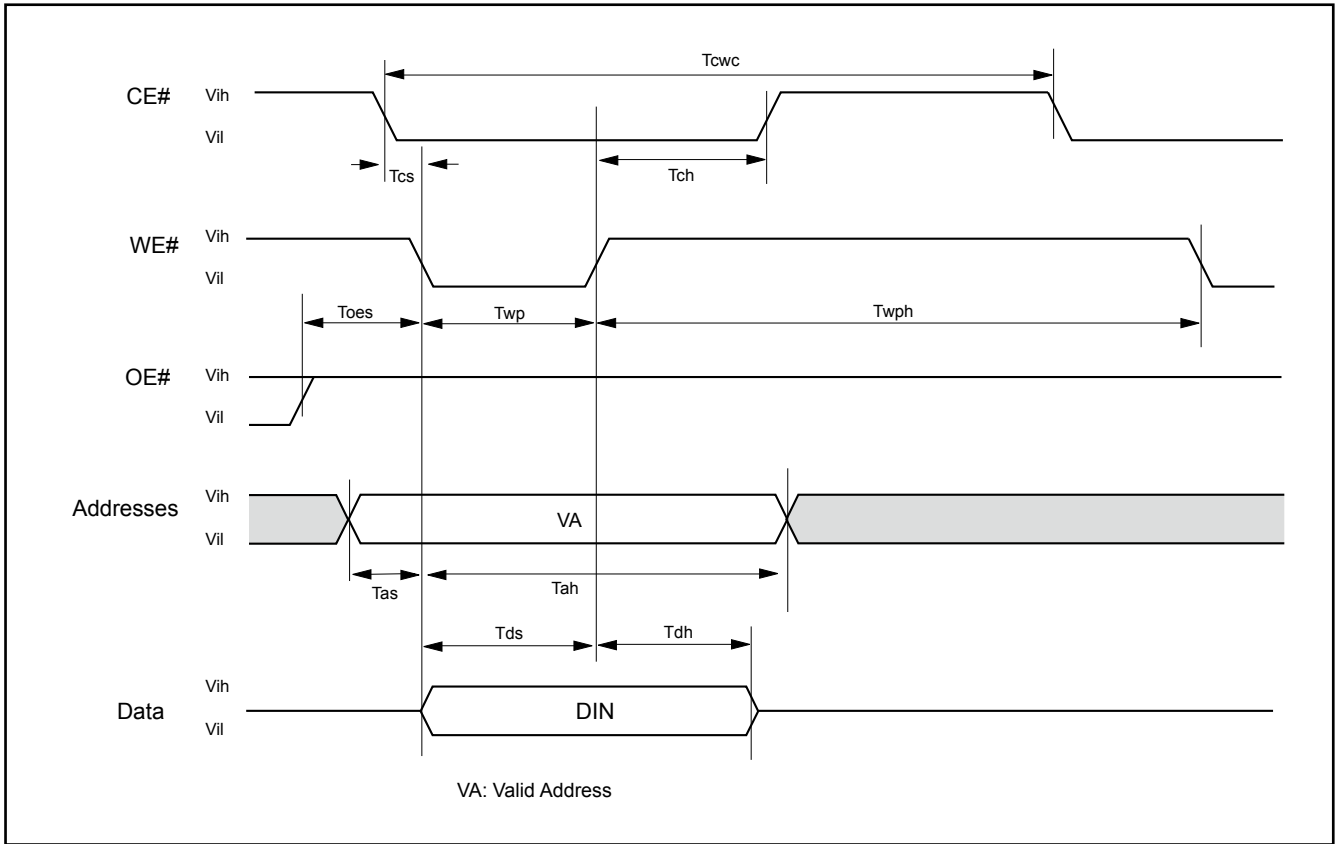




AC CHARACTERISTICS

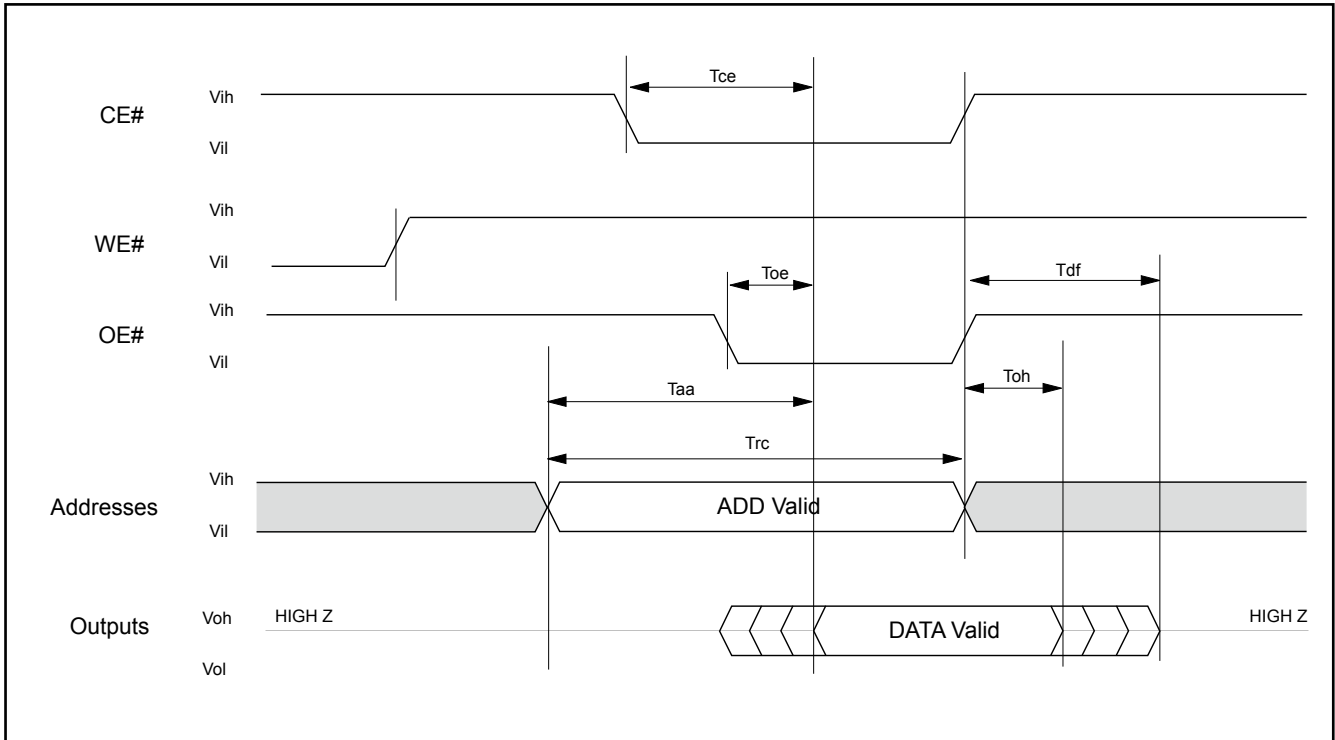
Symbol	Description	Speed Option -70			Unit	
		Min.	Typ.	Max.		
Taa	Valid data output after address			70	ns	
Tce	Valid data output after CE# low			70	ns	
Toe	Valid data output after OE# low			30	ns	
Tdf	Data output floating after OE# high			20	ns	
Toh	Output hold time from the earliest rising edge of Address, CE#, OE#	0			ns	
Trc	Read period time	70			ns	
Twc	Write period time	70			ns	
Tcwc	Command write period time	70			ns	
Tas	Address setup time	0			ns	
Tah	Address hold time	45			ns	
Tds	Data setup time	30			ns	
Tdh	Data hold time	0			ns	
Tvcs	Vcc setup time	50			us	
Tcs	CE# Setup time	0			ns	
Tch	CE# hold time	0			ns	
Toes	Output enable setup time	0			ns	
Toeh	Output enable hold time	Read	0		ns	
		Toggle & Data# Polling	10		ns	
Tws	WE# setup time	0			ns	
Twh	WE# hold time	0			ns	
Tcep	CE# pulse width	35			ns	
Tceph	CE# pulse width high	20			ns	
Twp	WE# pulse width	35			ns	
Twph	WE# pulse width high	30			ns	
Tghwl	Read recover time before write	0			ns	
Tbusy	Program/Erase active time by RY/BY#			90	ns	
Tavt	Program operation	Byte		9	300	us
		Word		11	360	us
Taetc	Chip Erase operation			8	32	sec
Taetb	Sector Erase operation			0.7	15	sec
Tbal	Sector address hold time			40	us	

Figure 1. COMMAND WRITE OPERATION



READ/RESET OPERATION

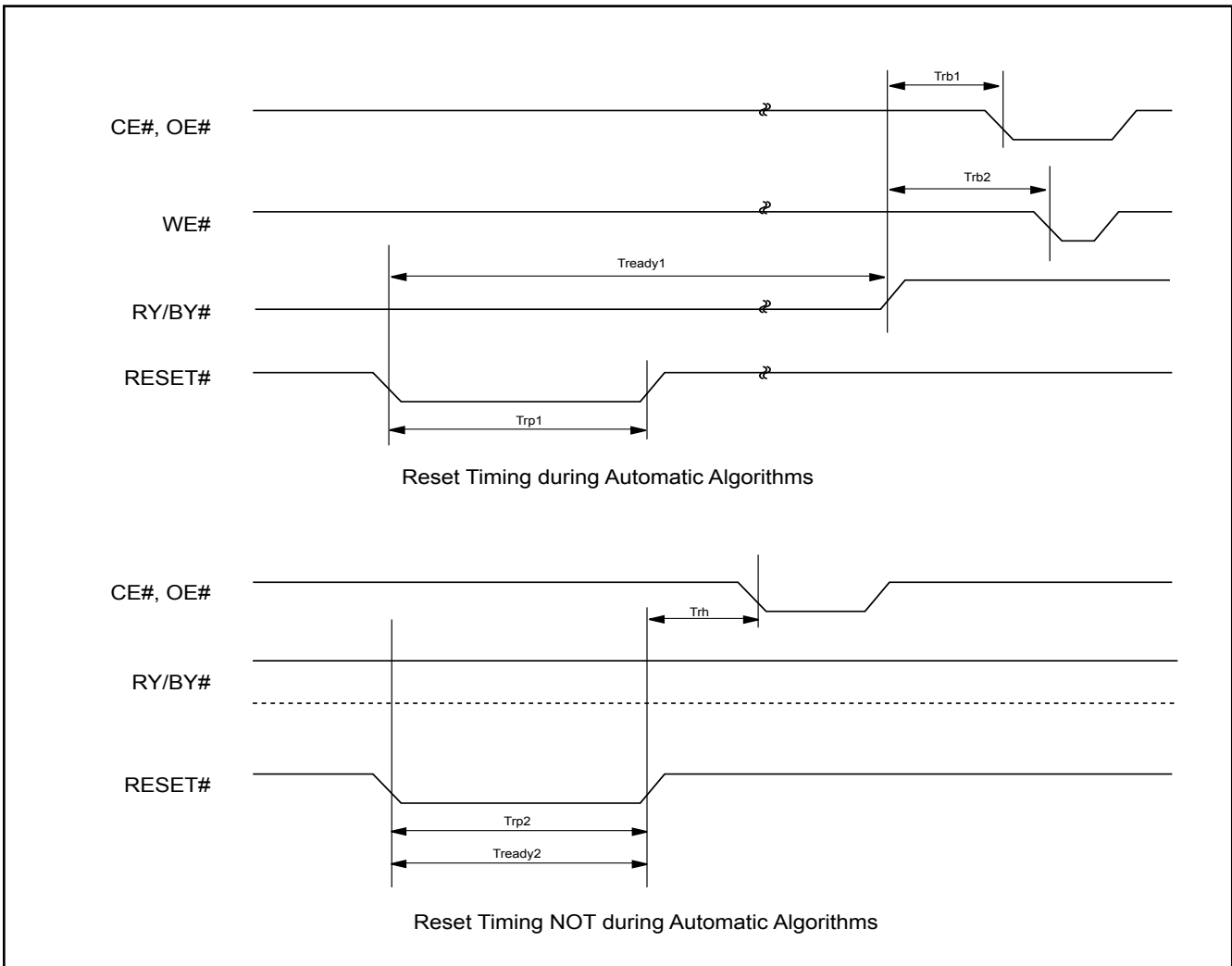
Figure 2. READ TIMING WAVEFORMS



AC CHARACTERISTICS

Item	Description	Setup	Speed	Unit
Trp1	RESET# Pulse Width (During Automatic Algorithms)	MIN	10	us
Trp2	RESET# Pulse Width (NOT During Automatic Algorithms)	MIN	500	ns
Trh	RESET# High Time Before Read	MIN	0	ns
Trb1	RY/BY# Recovery Time (to CE#, OE# go low)	MIN	0	ns
Trb2	RY/BY# Recovery Time (to WE# go low)	MIN	50	ns
Tready1	RESET# PIN Low (During Automatic Algorithms) to Read or Write	MAX	20	us
Tready2	RESET# PIN Low (NOT During Automatic Algorithms) to Read or Write	MAX	500	ns

Figure 3. RESET# TIMING WAVEFORM



ERASE/PROGRAM OPERATION

Figure 4. AUTOMATIC CHIP ERASE TIMING WAVEFORM

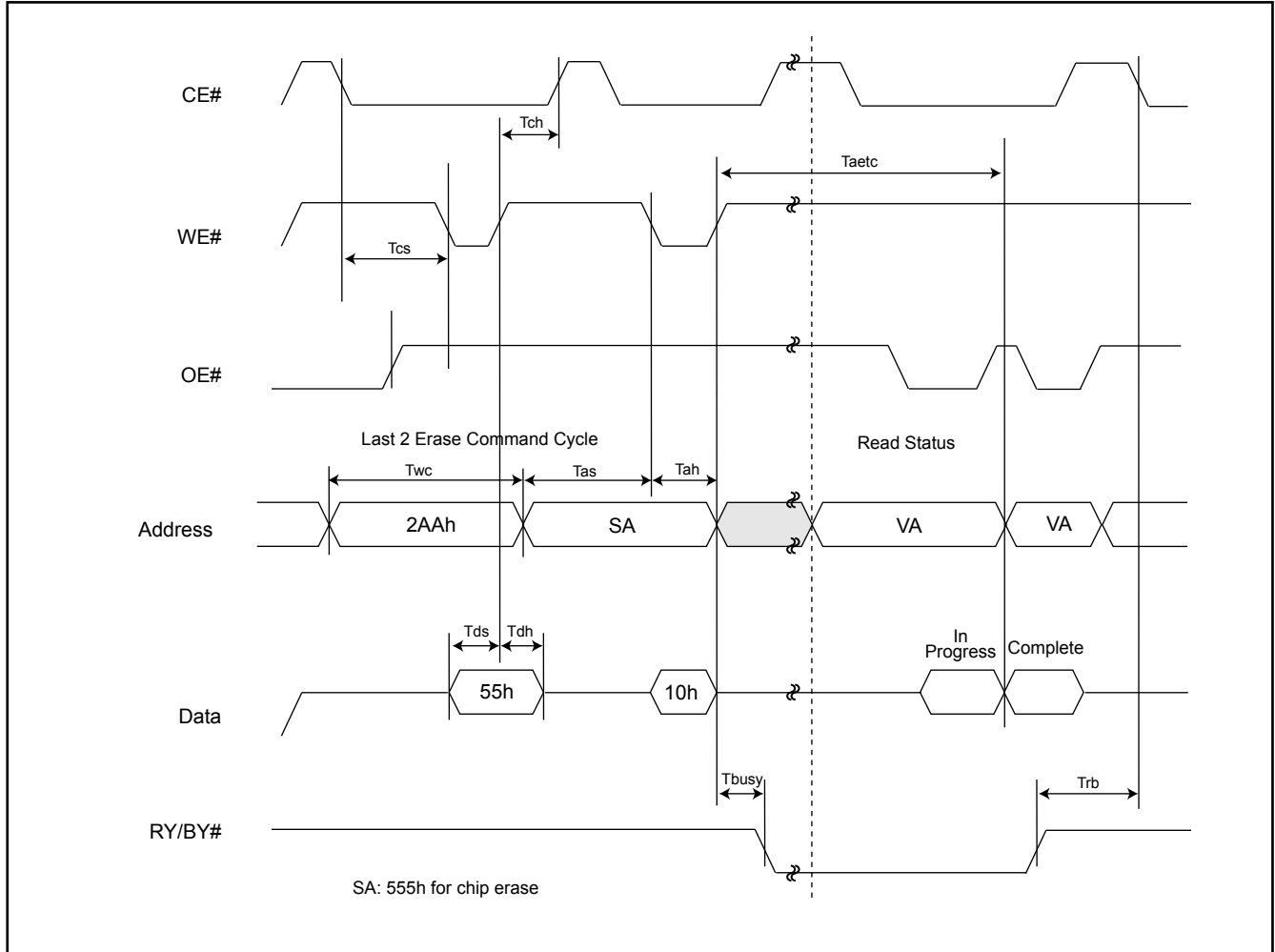


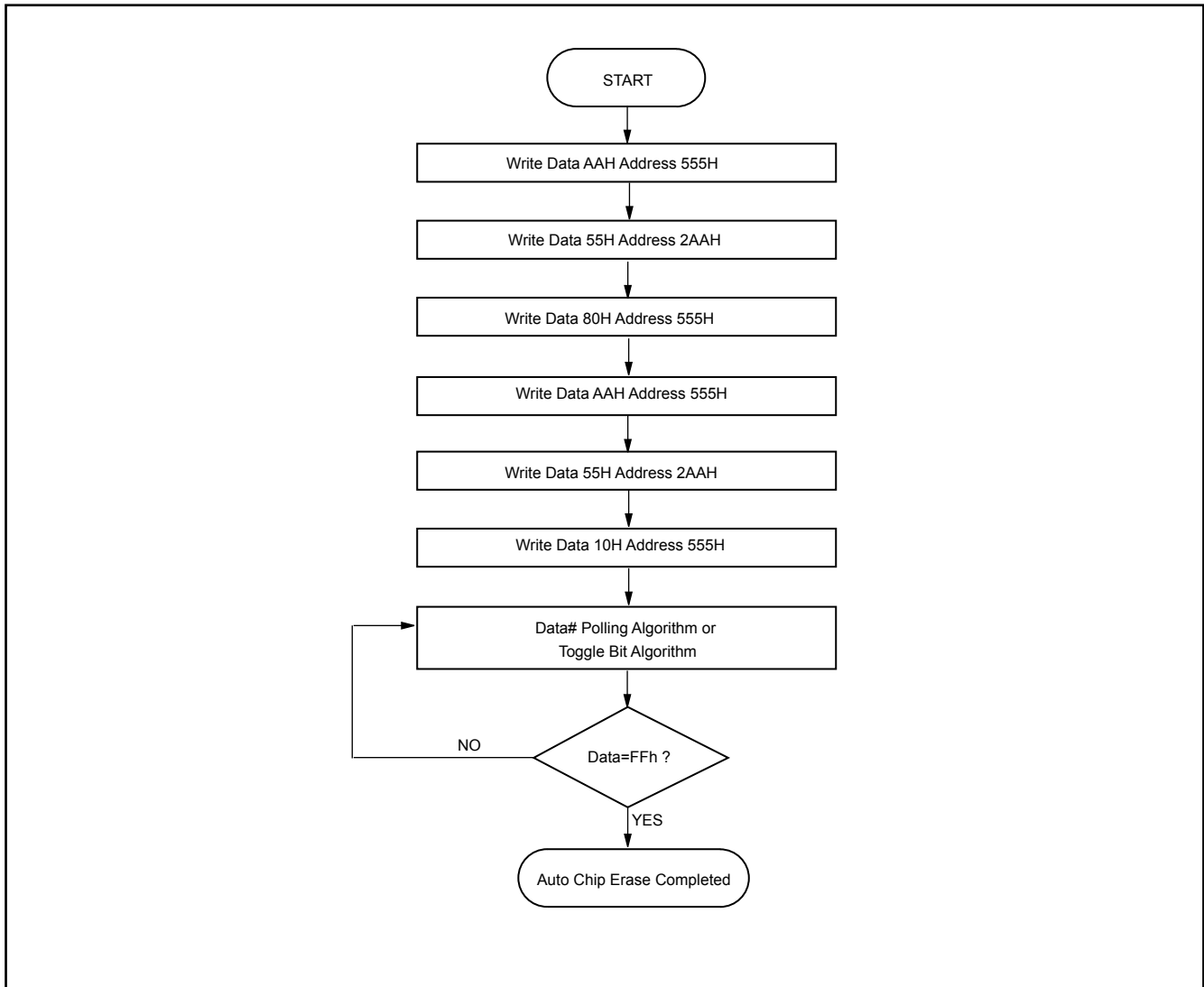
Figure 5. AUTOMATIC CHIP ERASE ALGORITHM FLOWCHART

Figure 6. AUTOMATIC SECTOR ERASE TIMING WAVEFORM

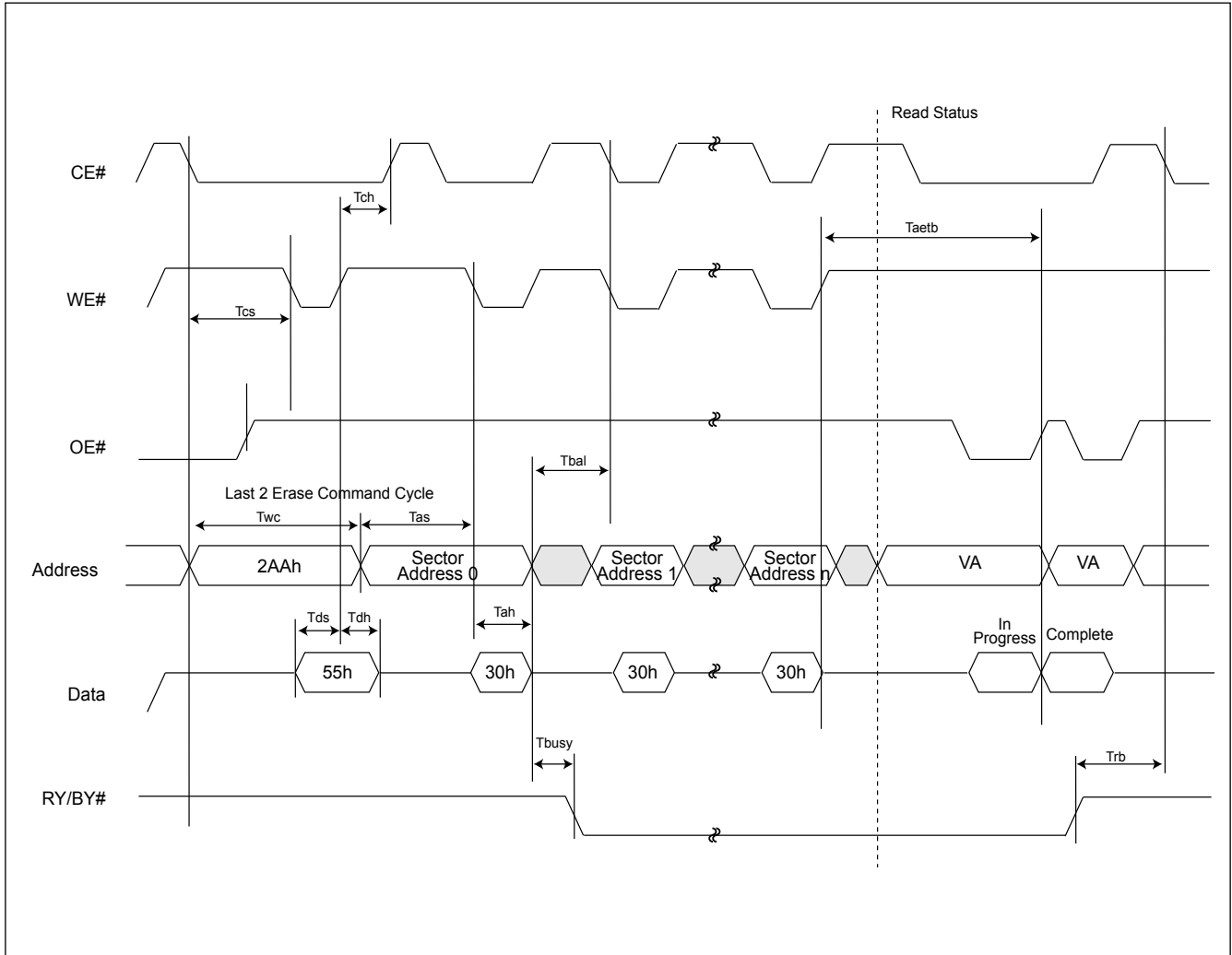


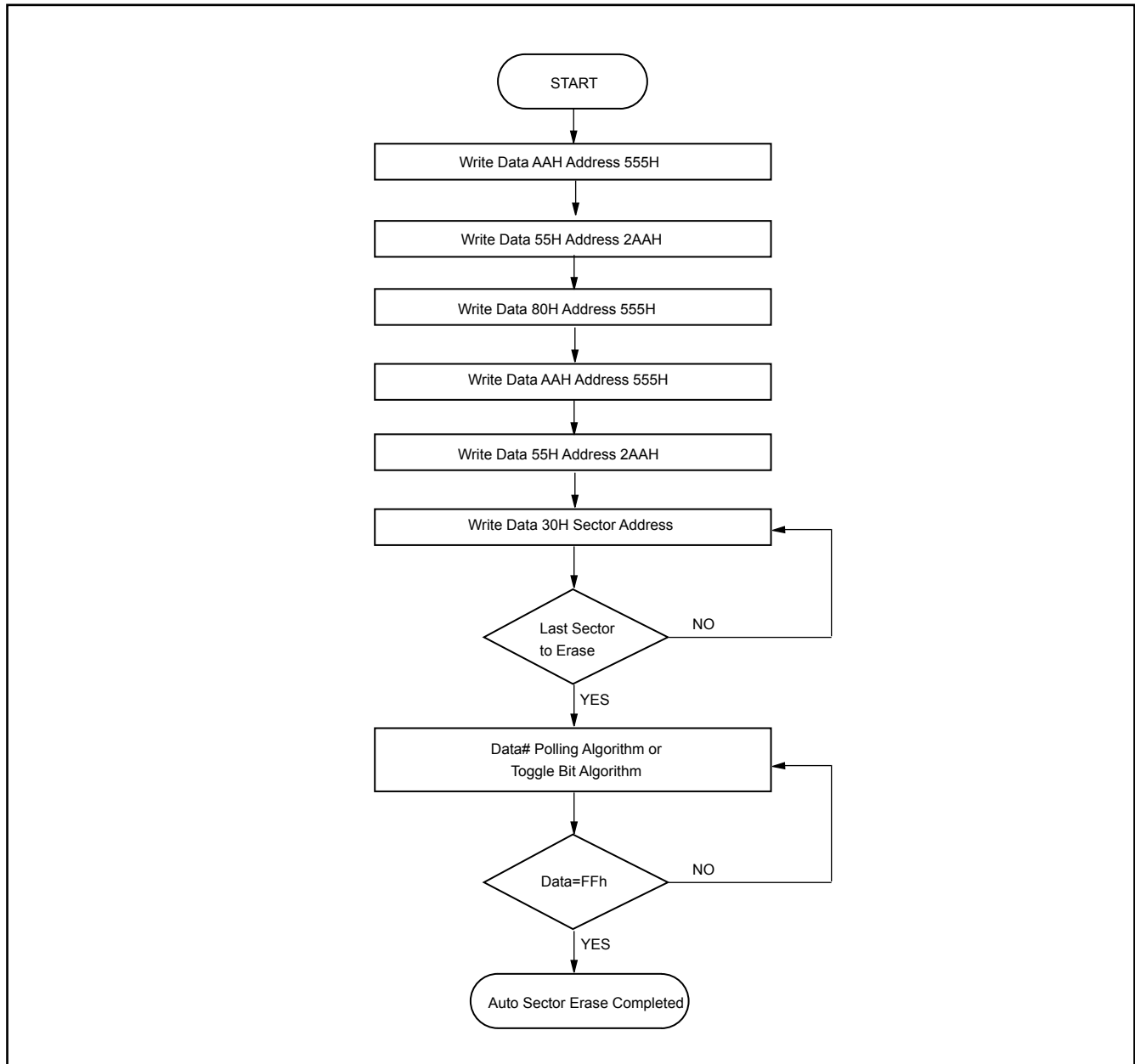
Figure 7. AUTOMATIC SECTOR ERASE ALGORITHM FLOWCHART

Figure 8. ERASE SUSPEND/RESUME FLOWCHART

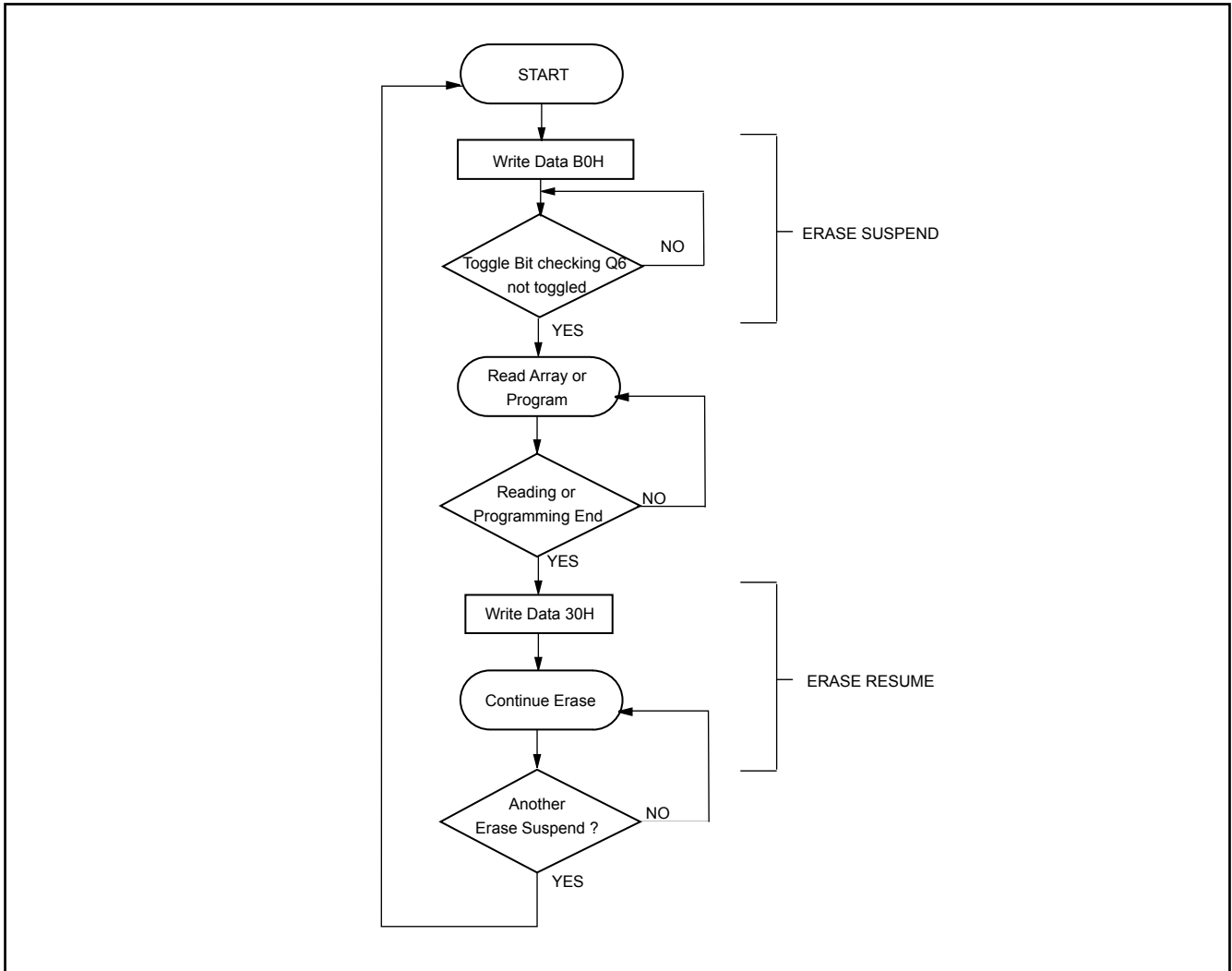


Figure 9. AUTOMATIC PROGRAM TIMING WAVEFORMS

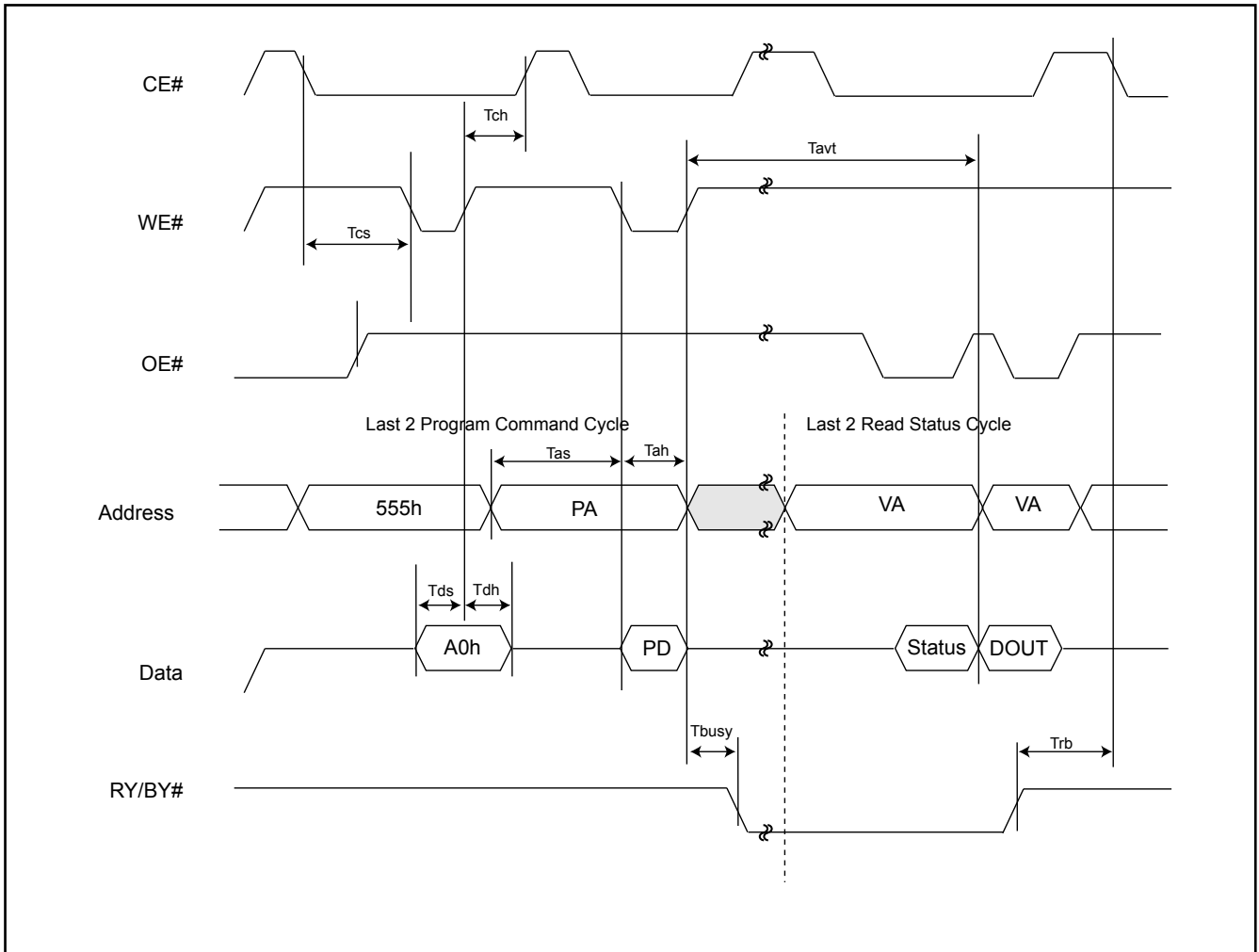


Figure 10. CE# CONTROLLED WRITE TIMING WAVEFORM

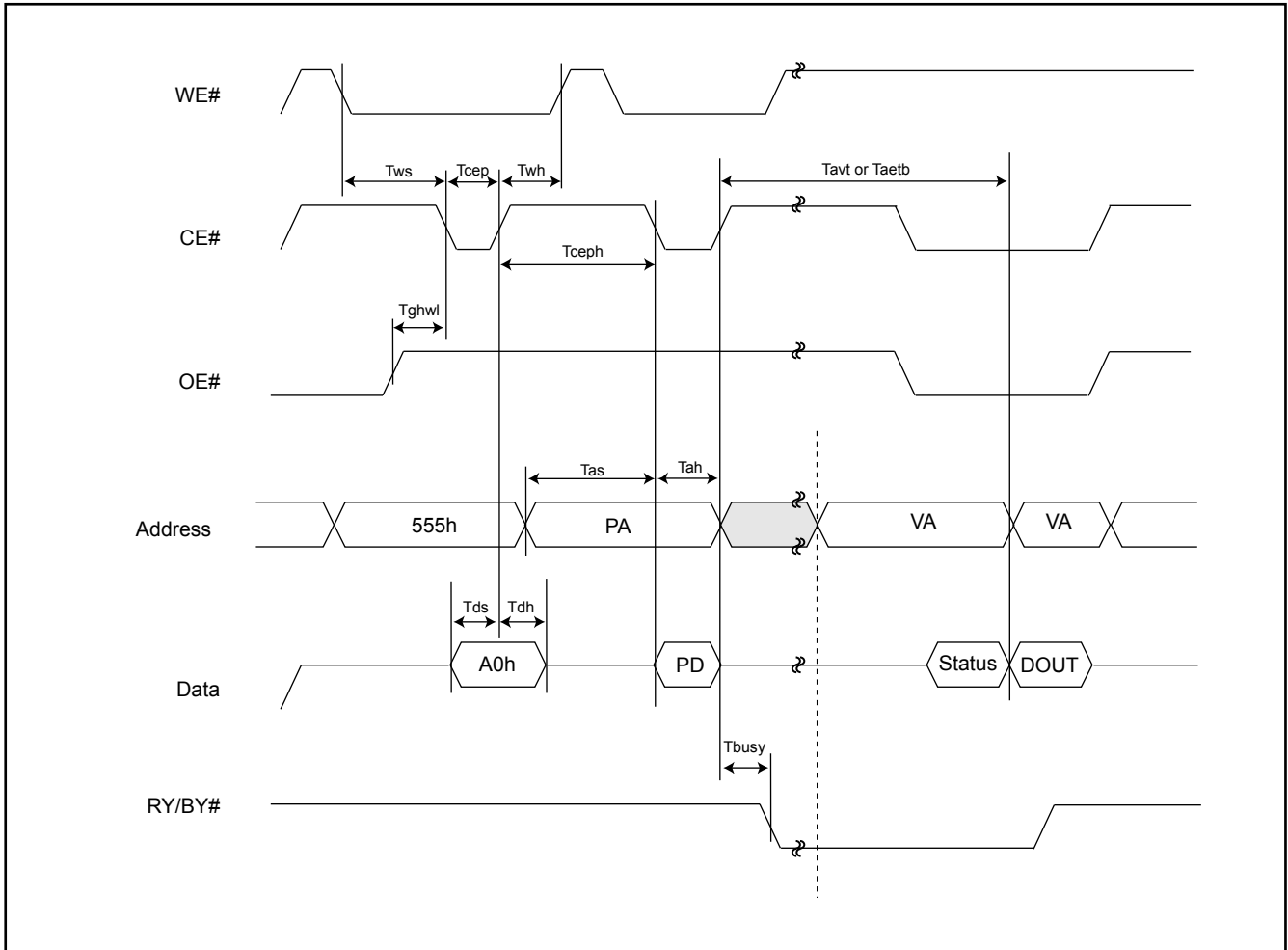
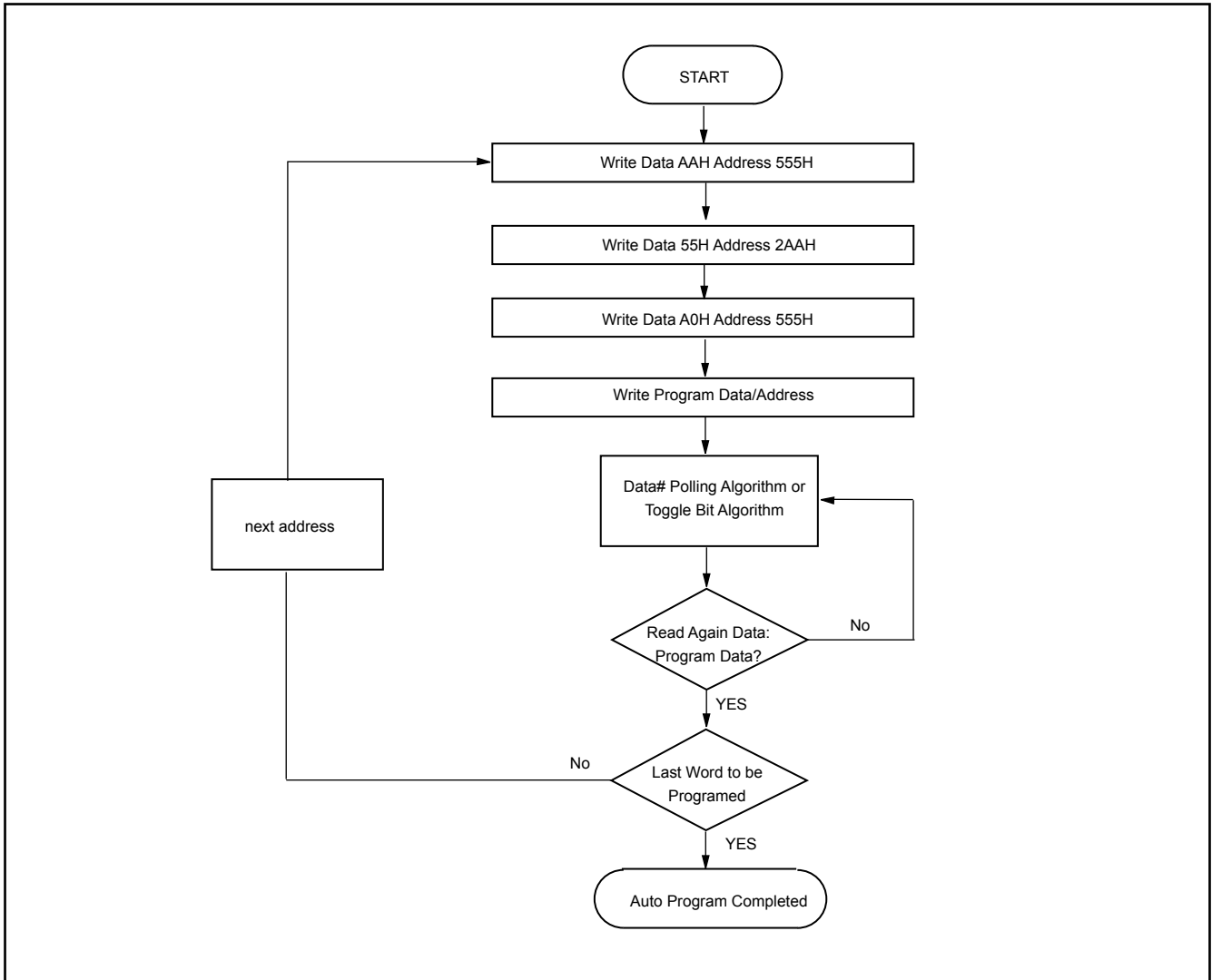


Figure 11. AUTOMATIC PROGRAMMING ALGORITHM FLOWCHART



SECTOR PROTECT/CHIP UNPROTECT

Figure 12. SECTOR PROTECT/CHIP UNPROTECT WAVEFORM (RESET# Control)

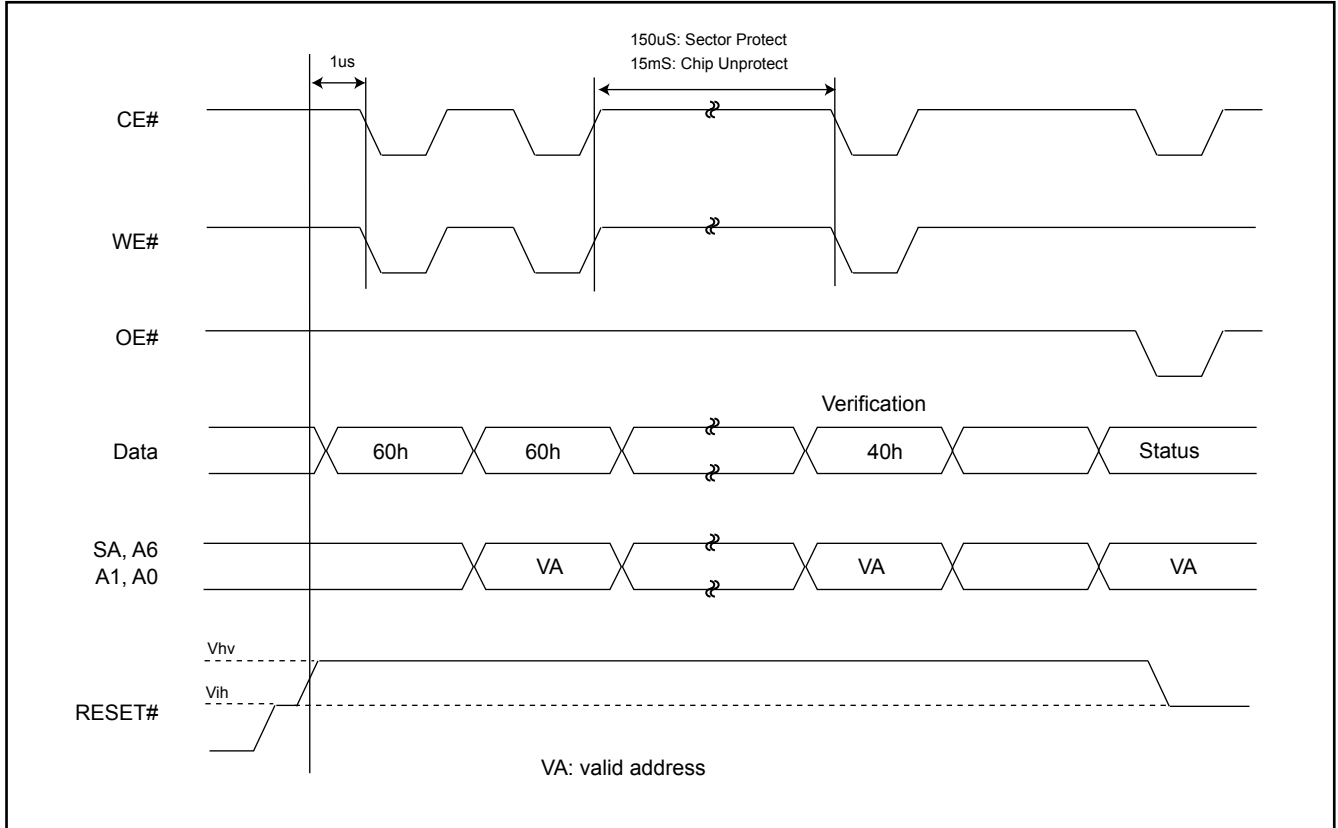


Figure 13-1. IN-SYSTEM SECTOR PROTECT WITH RESET#=Vhv

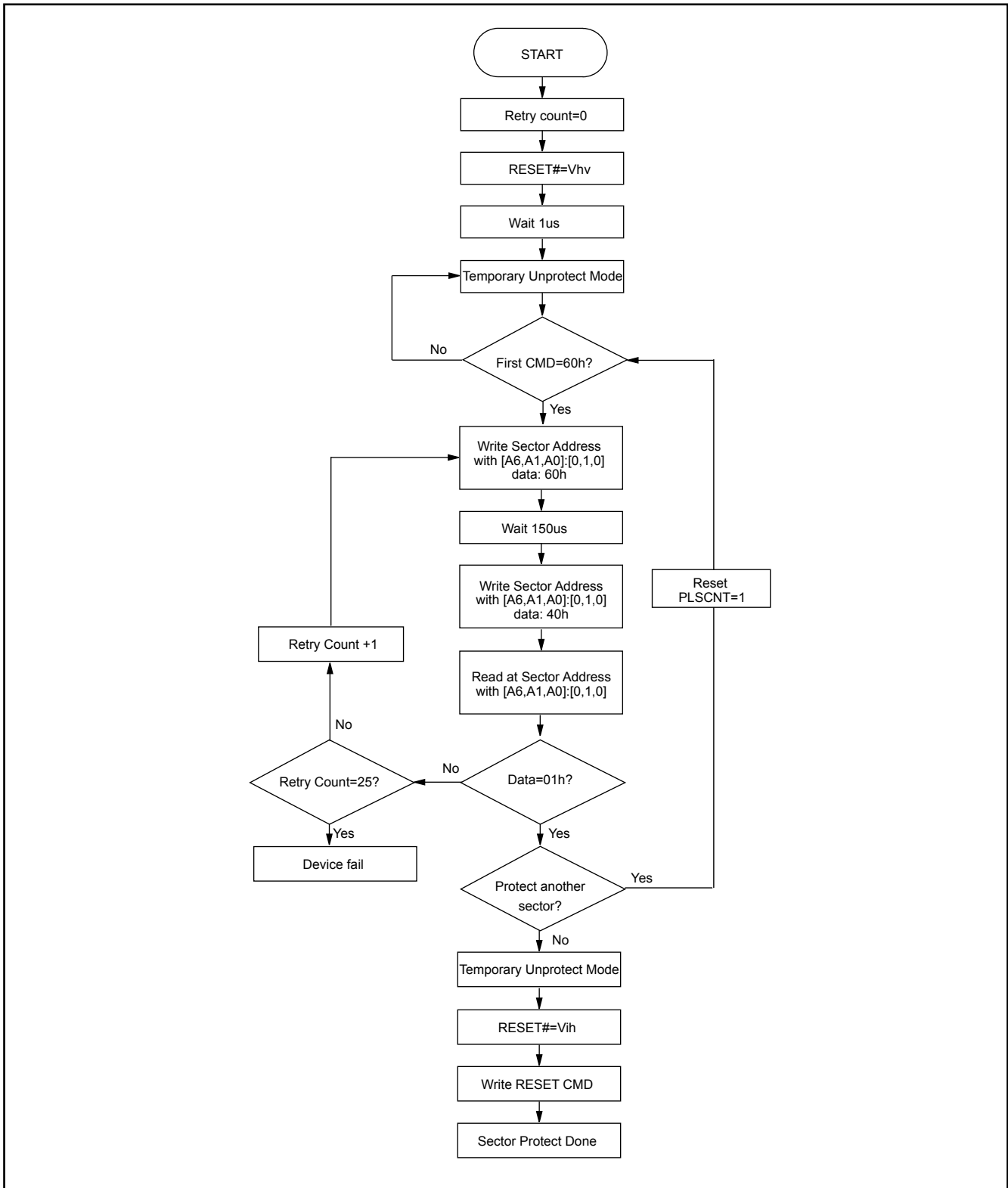


Figure 13-2. CHIP UNPROTECT ALGORITHMS WITH RESET#=Vhv

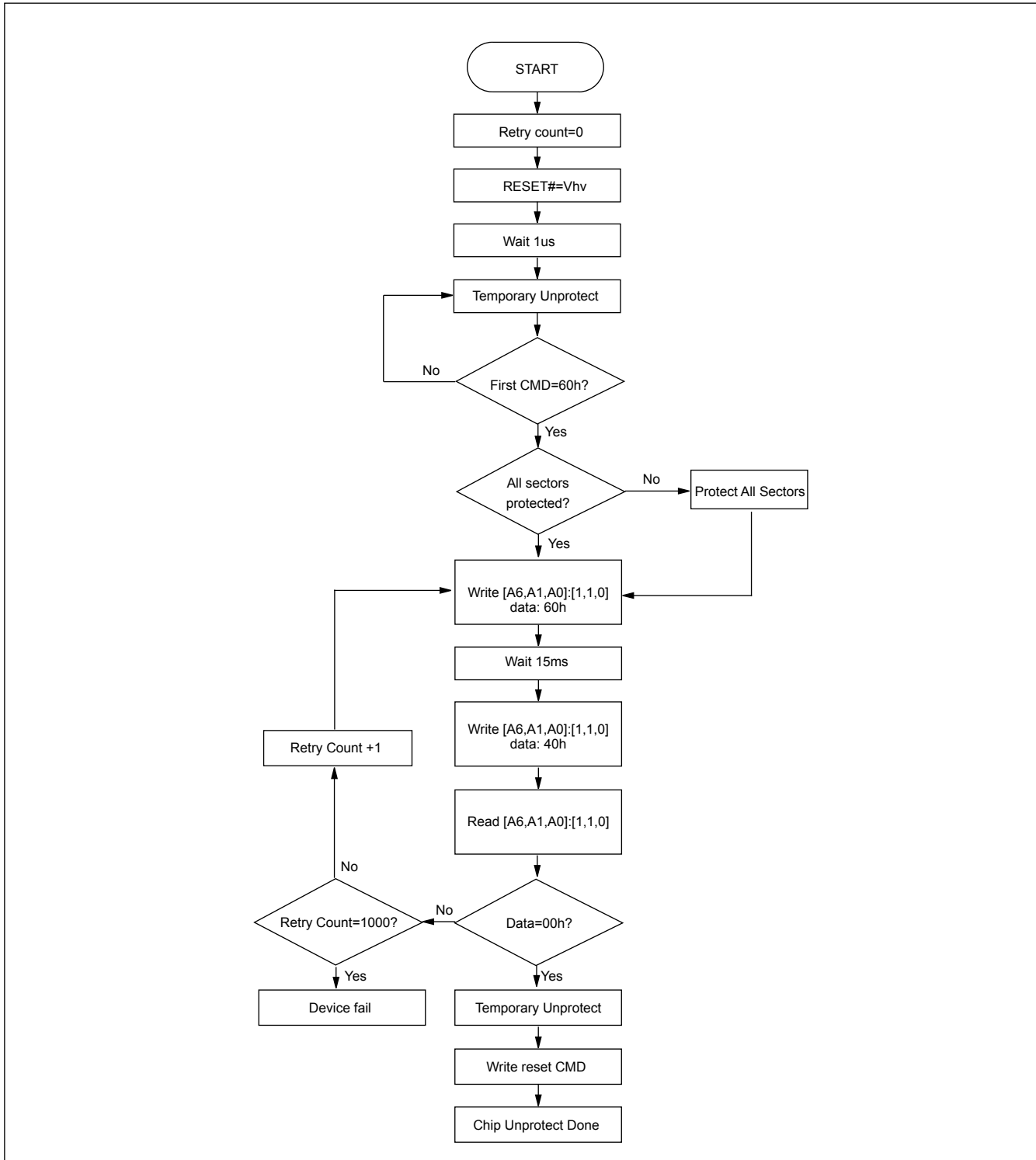


Table 5. TEMPORARY SECTOR UNPROTECT

Parameter	Alt	Description	Condition	Speed	Unit
Trpvhh	Tvidr	RESET# Rise Time to Vhv and Vhv Fall Time to RESET#	MIN	500	ns
Tvhhl	Trsp	RESET# Vhv to WE# Low	MIN	4	us

Figure 14. TEMPORARY SECTOR UNPROTECT WAVEFORMS

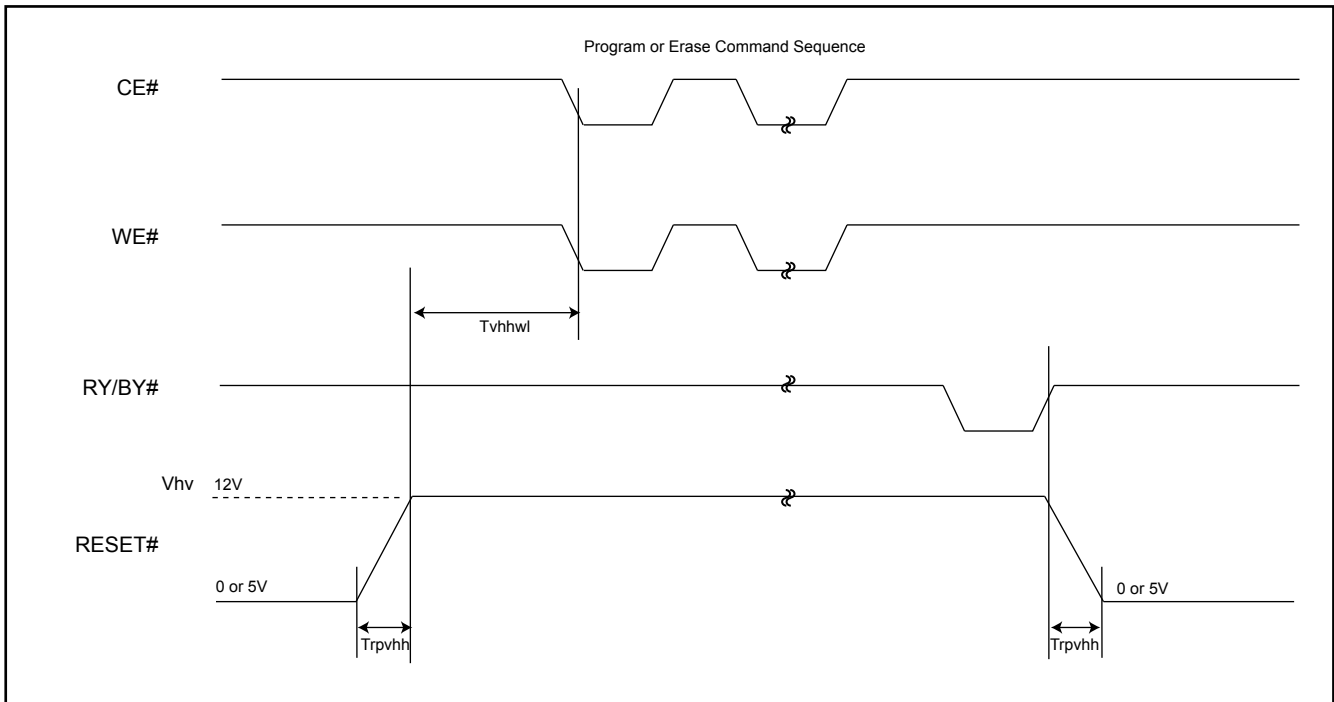
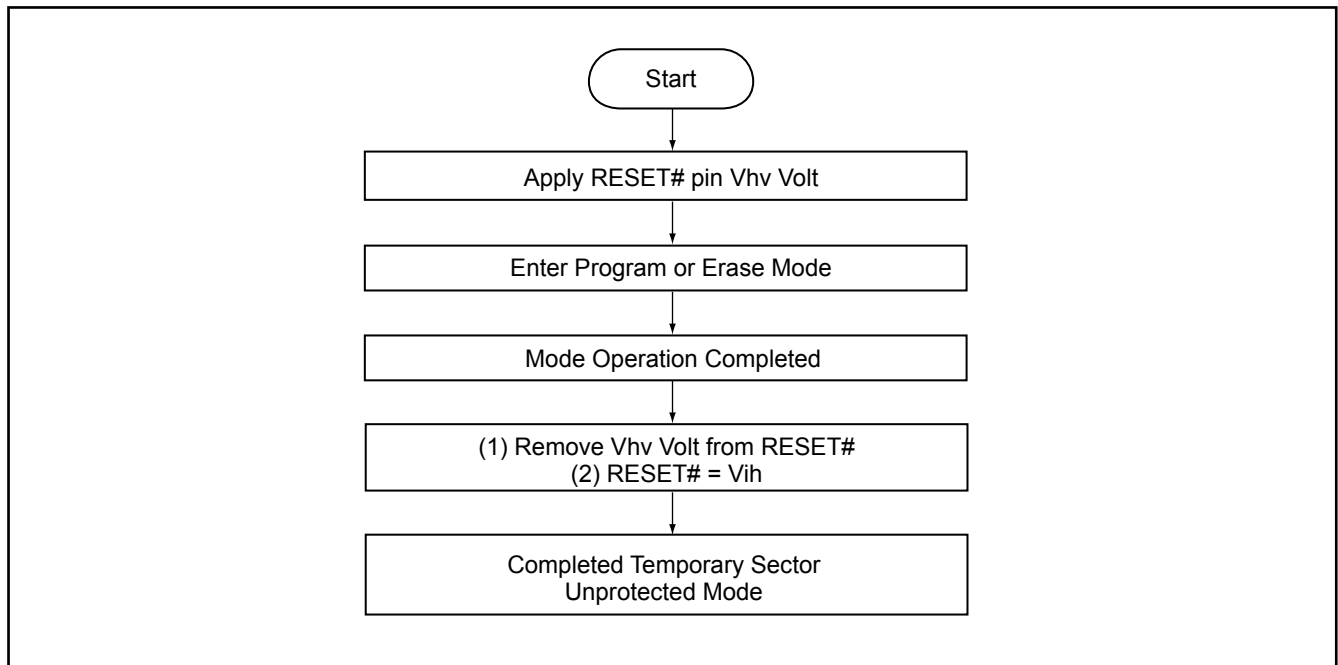
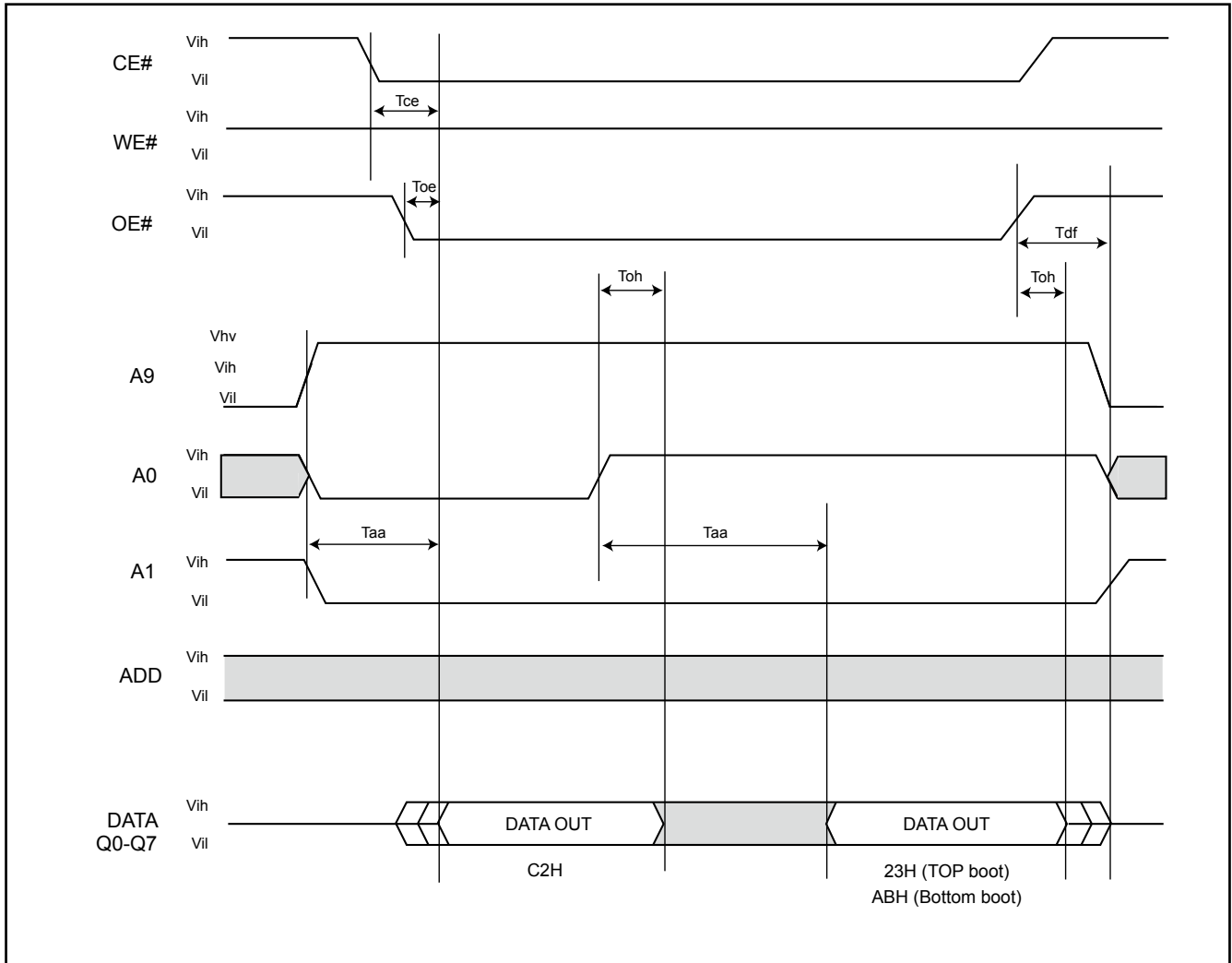


Figure 15. TEMPORARY SECTOR UNPROTECT FLOWCHART**Notes:**

1. Temporary unprotect all protected sectors $V_{hv}=11.5 \sim 12.5V$.
2. The protected conditions of the protected sectors are the same to temporary sector unprotect mode.

Figure 16. SILICON ID READ TIMING WAVEFORM



WRITE OPERATION STATUS

Figure 17. DATA# POLLING TIMING WAVEFORMS (DURING AUTOMATIC ALGORITHMS)

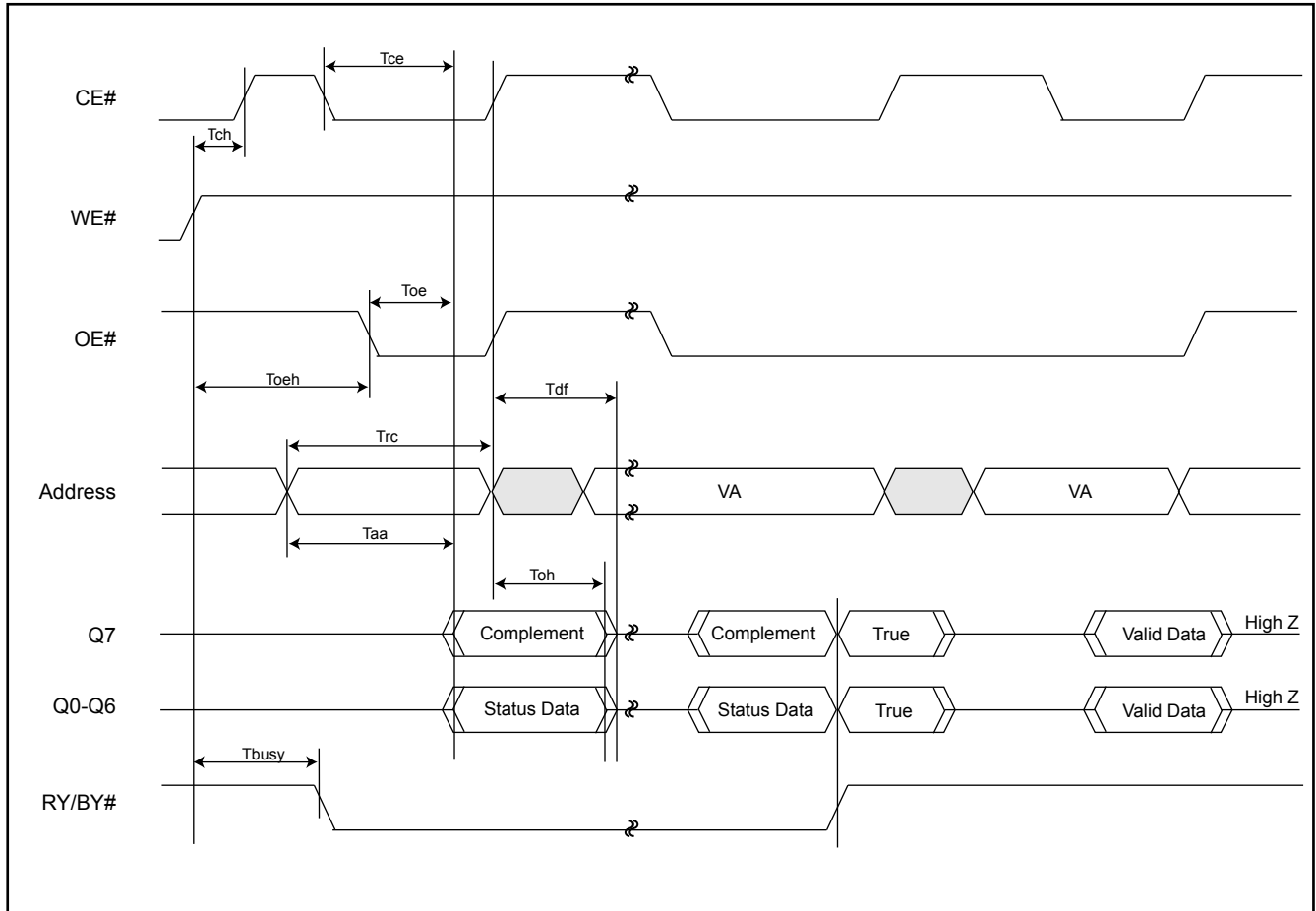
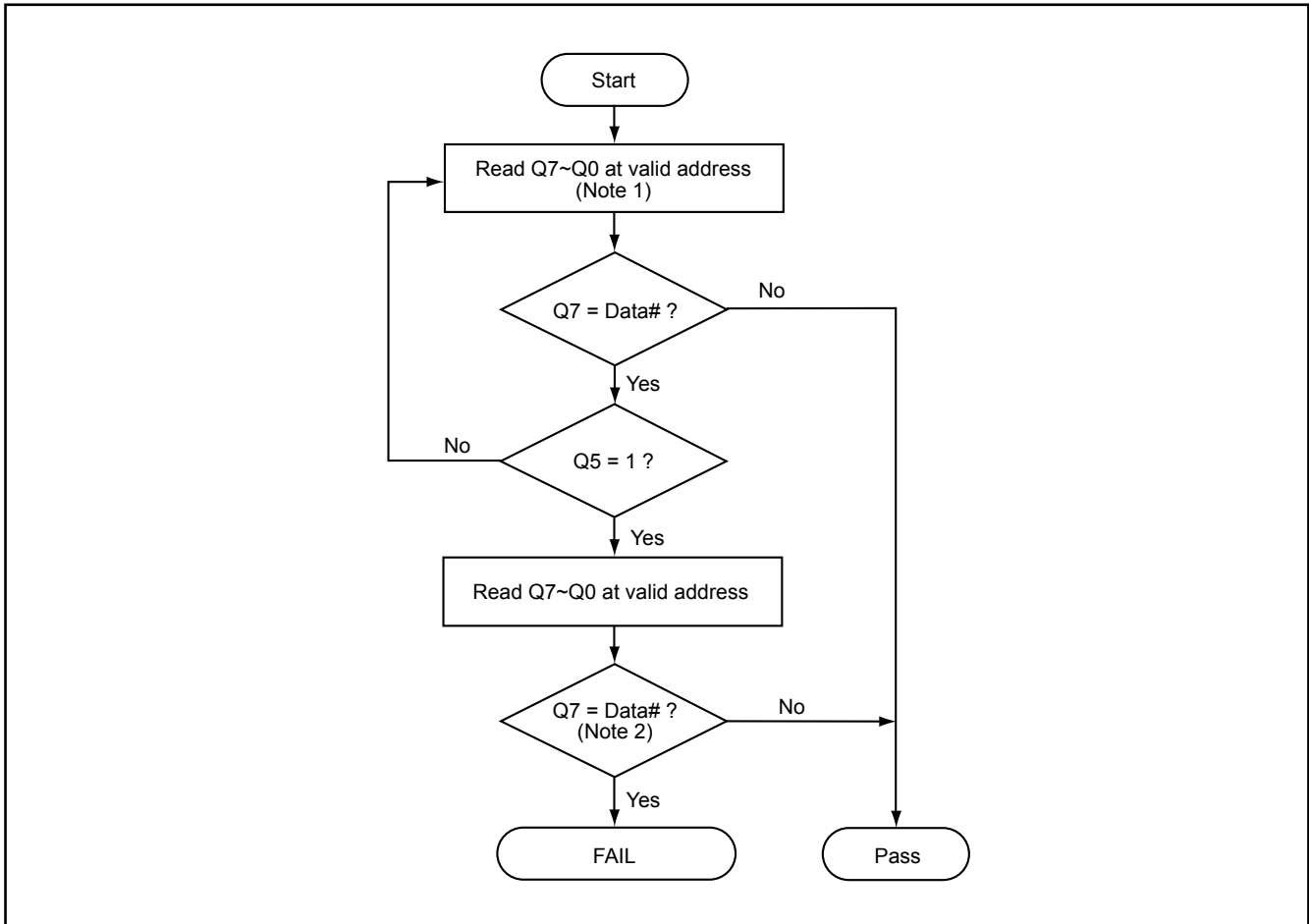


Figure 18. DATA# POLLING ALGORITHM**Notes:**

1. For programming, valid address means program address.
For erasing, valid address means erase sectors address.
2. Q7 should be rechecked even Q5="1" because Q7 may change simultaneously with Q5.

Figure 19. TOGGLE BIT TIMING WAVEFORMS (DURING AUTOMATIC ALGORITHMS)

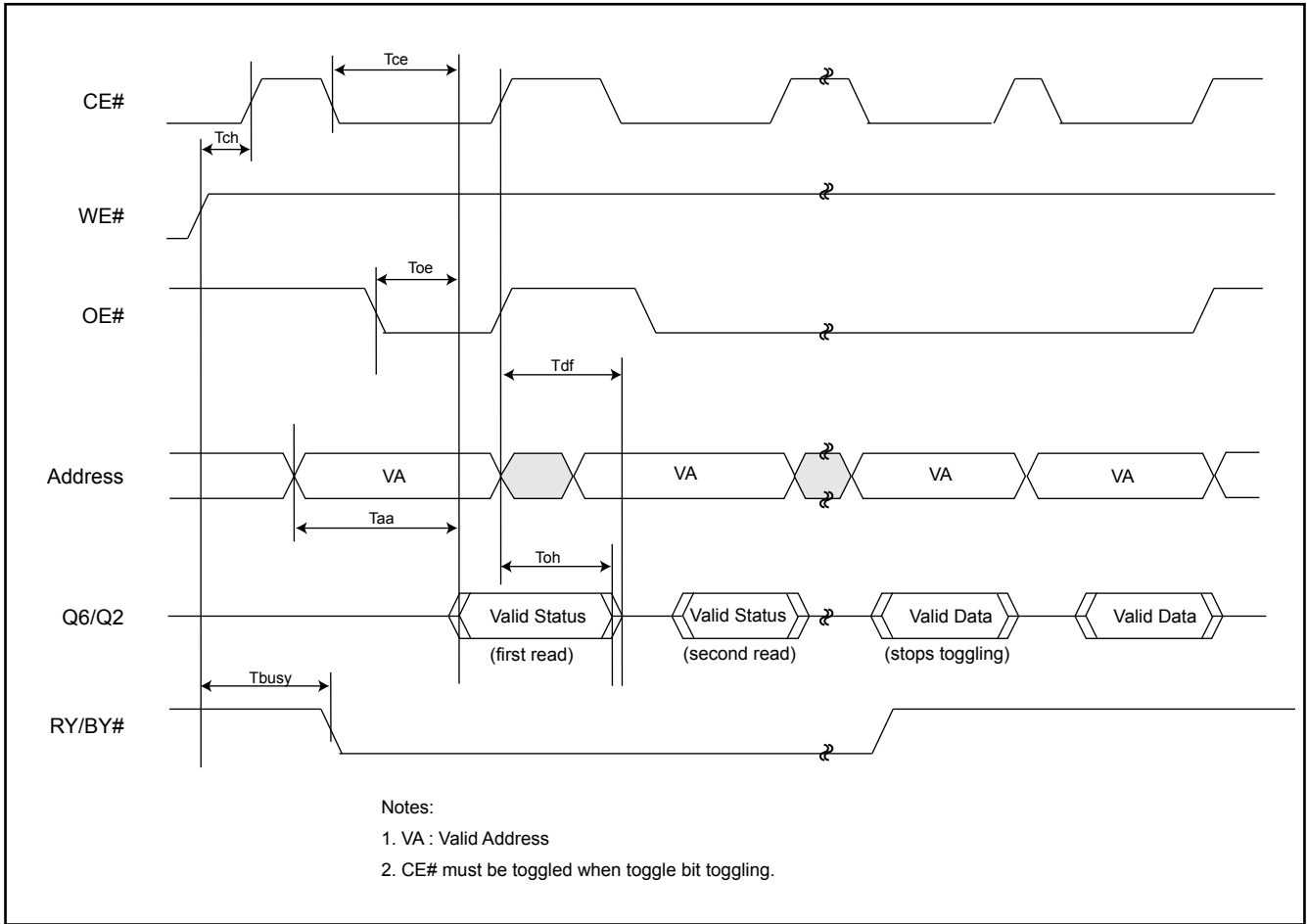
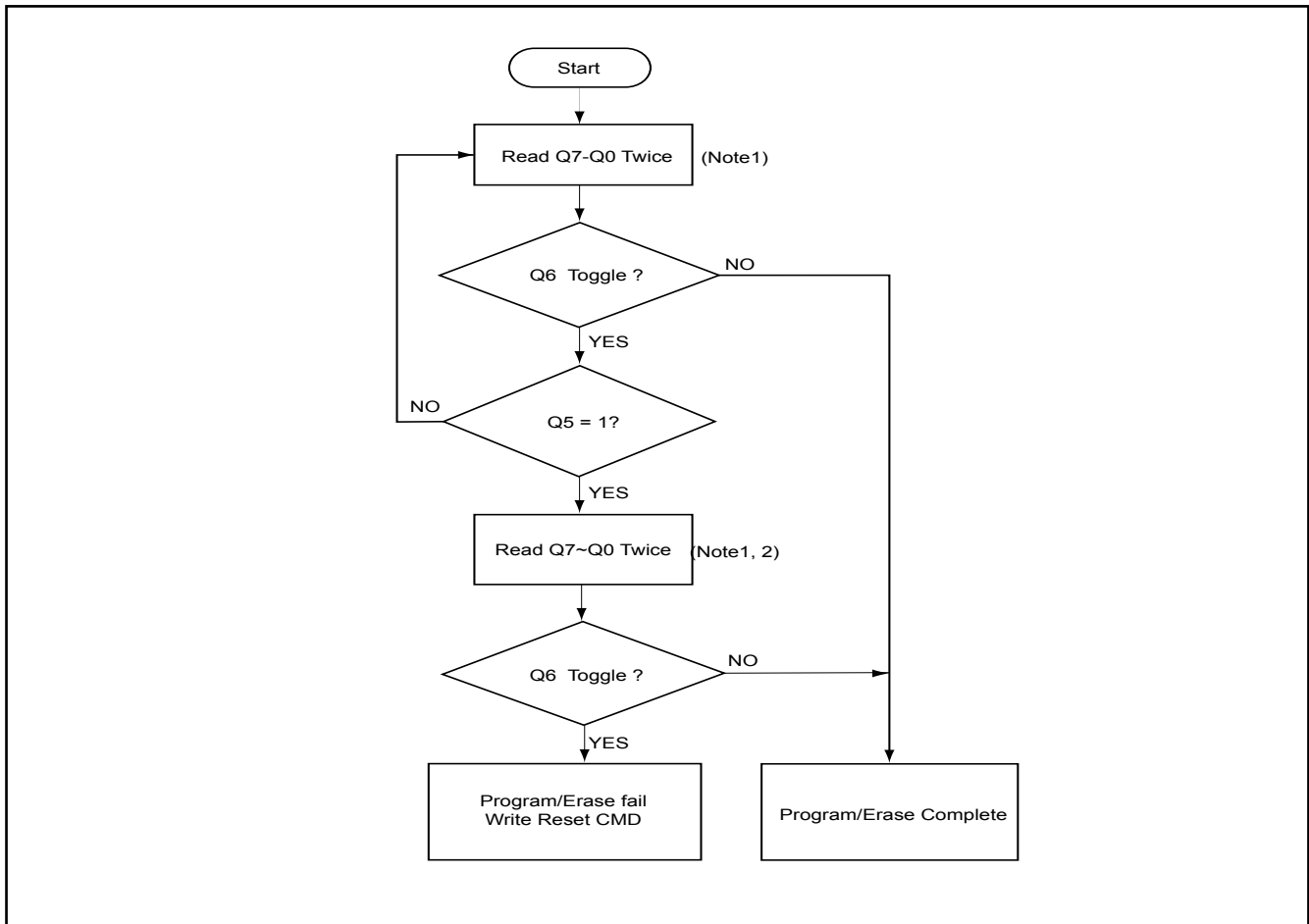


Figure 20. TOGGLE BIT ALGORITHM**Notes:**

1. Read toggle bit twice to determine whether or not it is toggling.
2. Recheck toggle bit because it may stop toggling as Q5 changes to "1".

RECOMMENDED OPERATING CONDITIONS

At Device Power-Up

AC timing illustrated in Figure A is recommended for the supply voltages and the control signals at device power-up. If the timing in the figure is ignored, the device may not operate correctly.

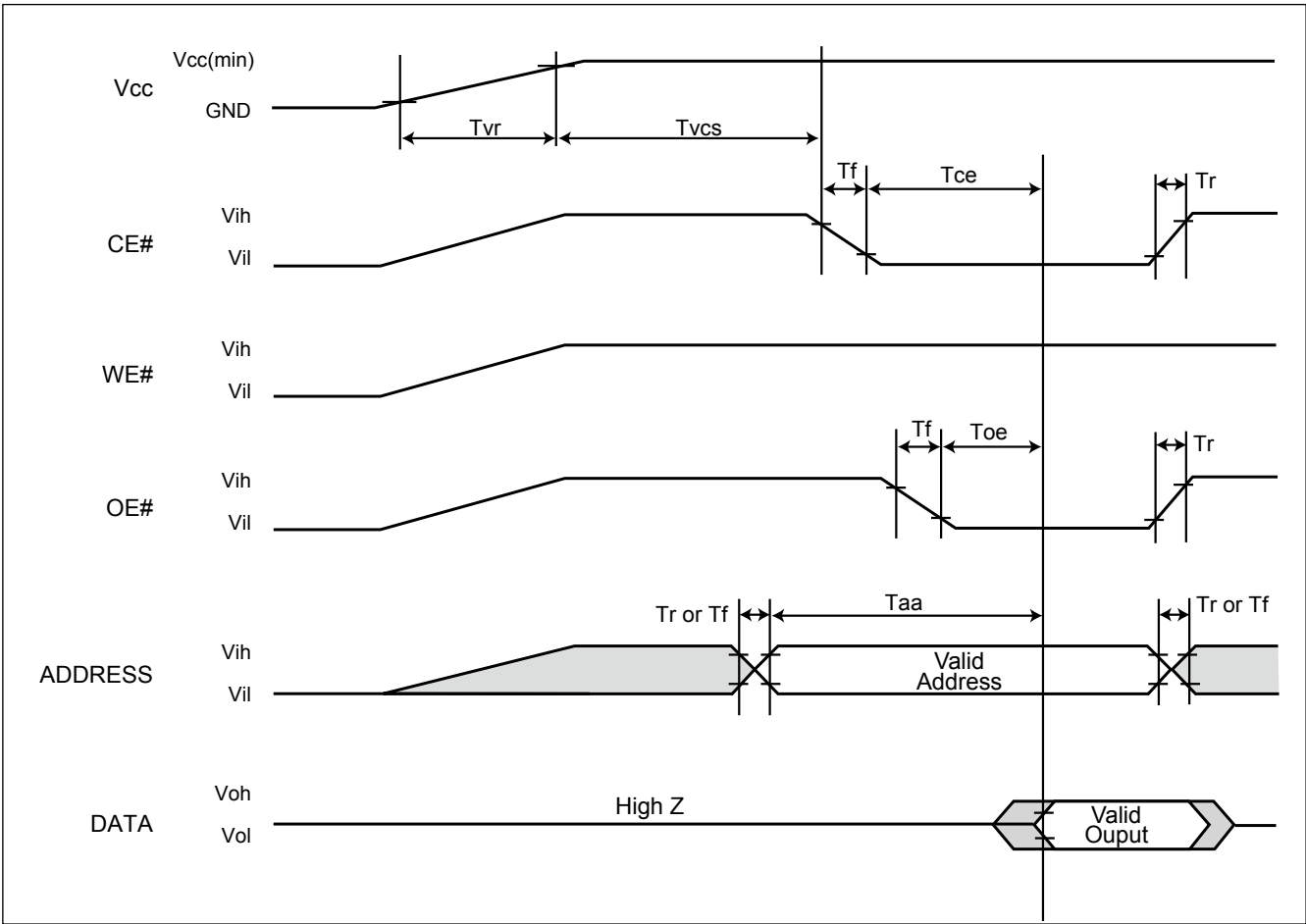


Figure A. AC Timing at Device Power-Up

Symbol	Parameter	Min.	Max.	Unit
Tvr	Vcc Rise Time	20	500000	us/V
Tr	Input Signal Rise Time		20	us/V
Tf	Input Signal Fall Time		20	us/V
Tvcs	Vcc setup time	50		us



ERASE AND PROGRAMMING PERFORMANCE

Parameter	Limits			Units	
	Min.	Typ.	Max.		
Byte Programming Time		9	300	us	
Word Programming Time		11	360	us	
Sector Erase Time		0.7	8	sec	
Chip Erase Time		8	32	sec	
Chip Programming Time	Byte Mode		10	27	sec
	Word Mode		7.5	17	sec
Erase/Program Cycles	100,000			Cycles	

Note: 1. Typical condition means 25°C, 5V.
2. Maximum condition means 85°C, 4.5V, 100K cycles.

LATCH-UP CHARACTERISTICS

	Min.	Max.
Input Voltage voltage difference with GND on A9, Reset# pins	-1.0V	12.5V
Input Voltage voltage difference with GND on all normal pins inputs	-1.0V	Vcc + 1.0V
Input current pulse	-100mA	+100mA
Includes all pins except Vcc. Test conditions: Vcc = 5V, one pin per testing		

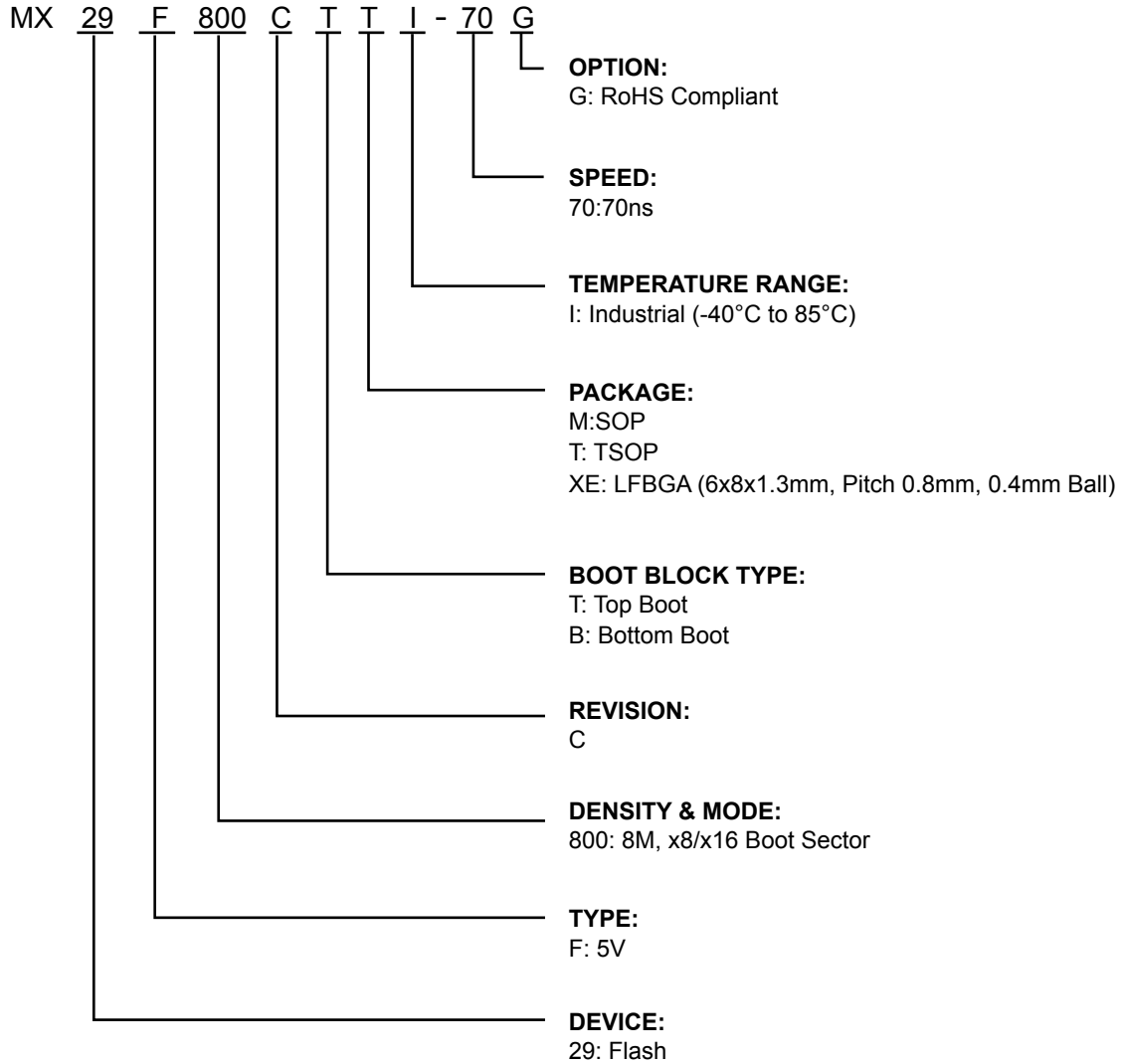
PIN CAPACITANCE

Parameter Symbol	Parameter Description	Test Set	Typ.	Max.	Unit
CIN2	Control Pin Capacitance	VIN=0		12	pF
COUT	Output Capacitance	VOUT=0		12	pF
CIN	Input Capacitance	VIN=0		8	pF

ORDERING INFORMATION

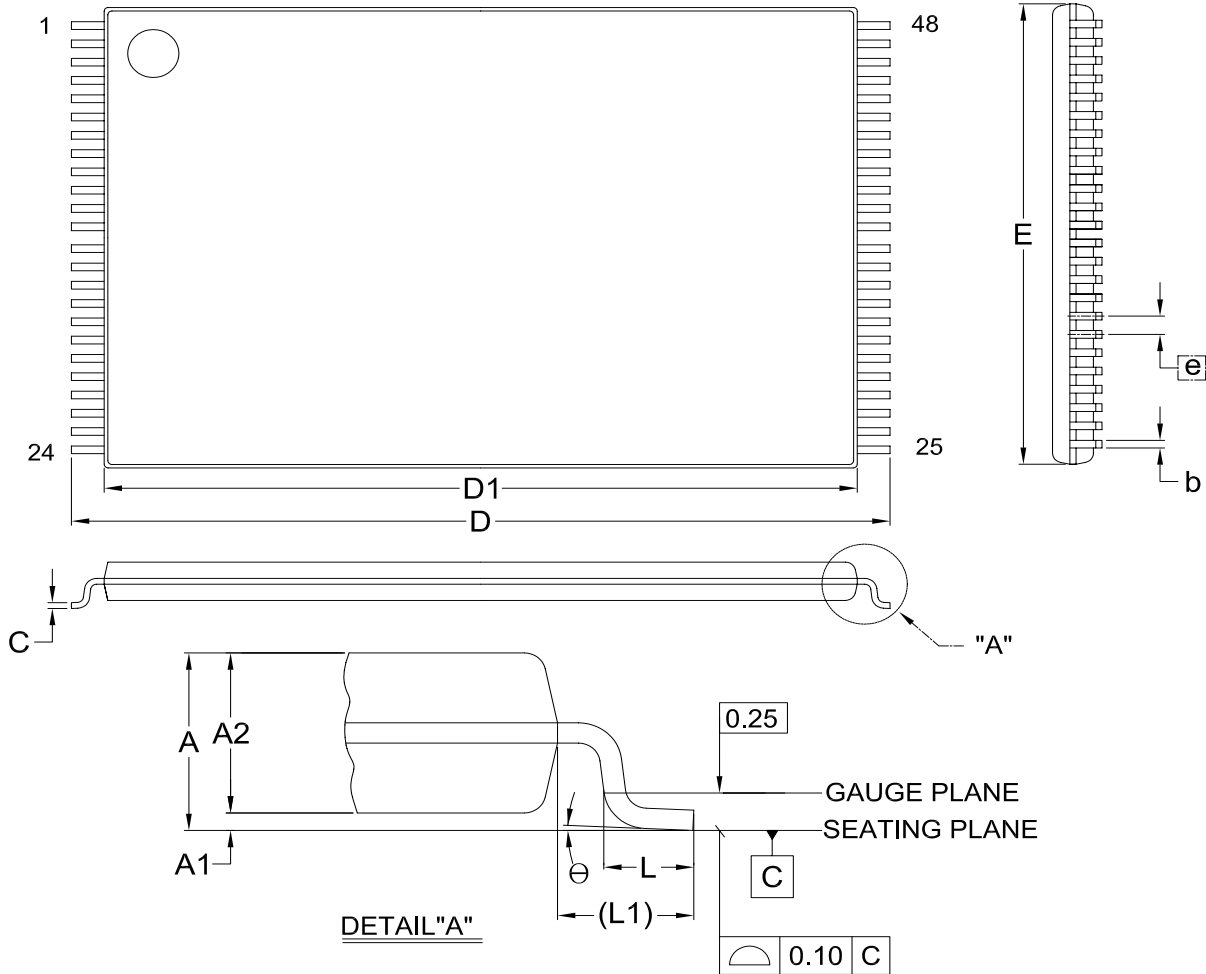
Part No.	Access Time (ns)	Temperature Range	Package	Remark
MX29F800CTMI-70G	70	-40°C~85°C	44 Pin SOP	RoHS Compliant
MX29F800CBMI-70G	70	-40°C~85°C	44 Pin SOP	RoHS Compliant
MX29F800CTTI-70G	70	-40°C~85°C	48 Pin TSOP (Normal Type)	RoHS Compliant
MX29F800CBTI-70G	70	-40°C~85°C	48 Pin TSOP (Normal Type)	RoHS Compliant
MX29F800CTXEI-70G	70	-40°C~85°C	48 Ball LFBGA (6x8mm)	RoHS Compliant
MX29F800CBXEI-70G	70	-40°C~85°C	48 Ball LFBGA (6x8mm)	RoHS Compliant

PART NAME DESCRIPTION



PACKAGE INFORMATION

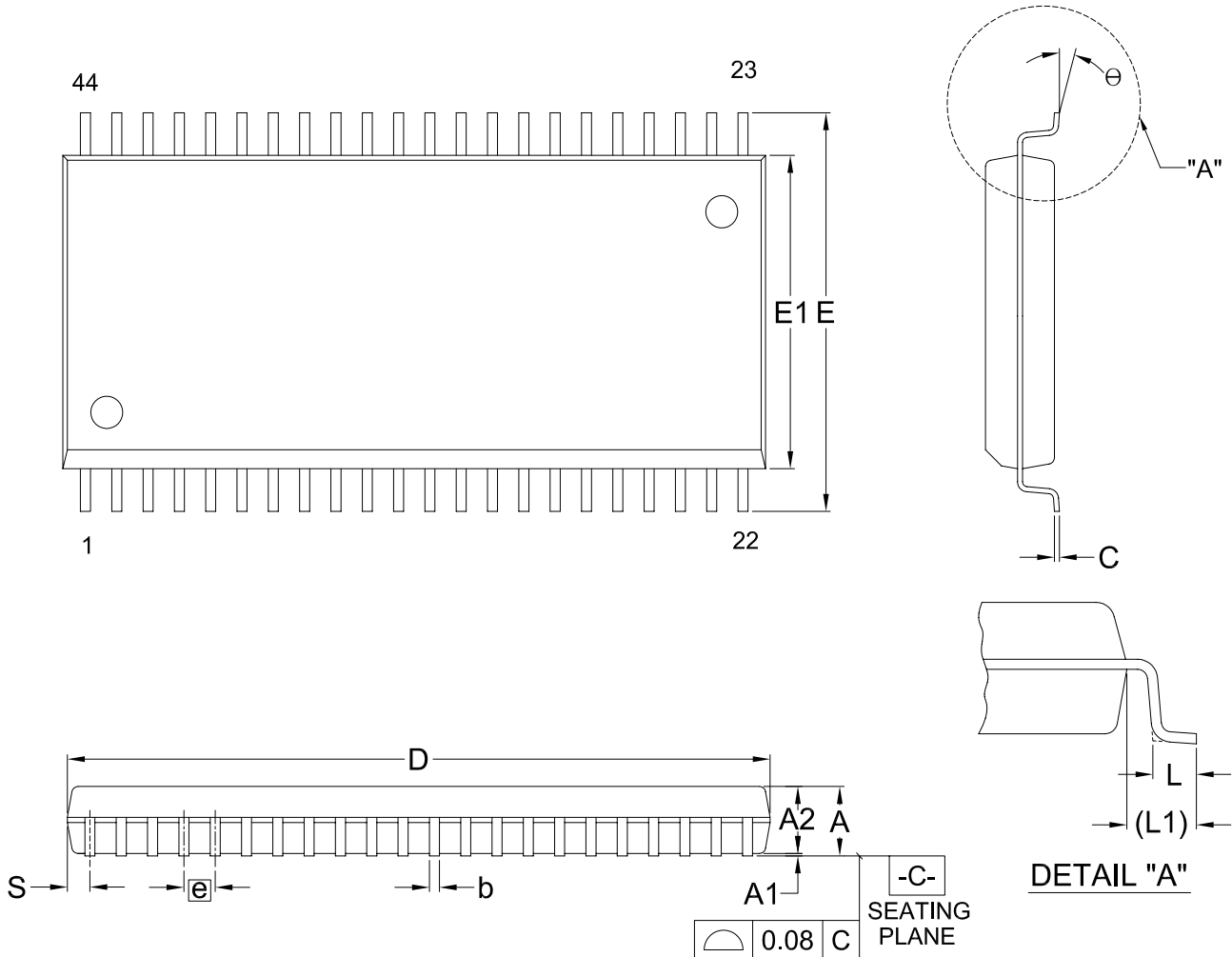
Doc. Title: Package Outline for TSOP(I) 48L (12X20mm)NORMAL FORM



Dimensions (inch dimensions are derived from the original mm dimensions)

SYMBOL		A	A1	A2	b	C	D	D1	E	e	L	L1	θ
mm	Min.	--	0.05	0.95	0.17	0.10	19.80	18.30	11.90	--	0.50	0.70	0°
	Nom.	--	0.10	1.00	0.20	0.13	20.00	18.40	12.00	0.50	0.60	0.80	5°
	Max.	1.20	0.15	1.05	0.27	0.21	20.20	18.50	12.10	--	0.70	0.90	8°
Inch	Min.	--	0.002	0.037	0.007	0.004	0.780	0.720	0.469	--	0.020	0.028	0°
	Nom.	--	0.004	0.039	0.008	0.005	0.787	0.724	0.472	0.020	0.024	0.031	5°
	Max.	0.047	0.006	0.041	0.011	0.008	0.795	0.728	0.476	--	0.028	0.035	8°

Doc. Title: Package Outline for SOP 44L (500MIL)

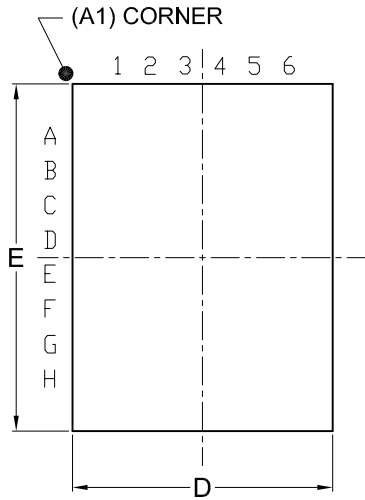


Dimensions (inch dimensions are derived from the original mm dimensions)

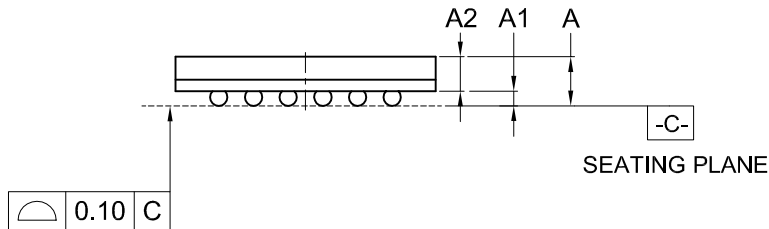
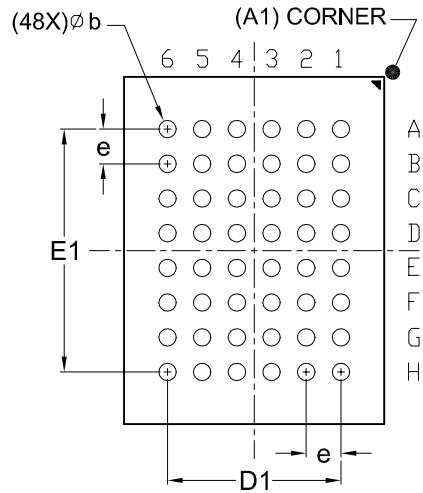
SYMBOL		A	A1	A2	b	C	D	E	E1	e	L	L1	S	θ
UNIT														
mm	Min.	---	0.10	2.59	0.36	0.15	28.37	15.83	12.47	---	0.56	1.51	0.78	0°
	Nom.	---	0.15	2.69	0.41	0.20	28.50	16.03	12.60	1.27	0.76	1.71	0.91	5°
	Max.	3.00	0.20	2.80	0.51	0.25	28.63	16.23	12.73	---	0.96	1.91	1.04	10°
Inch	Min.	---	0.004	0.102	0.014	0.006	1.117	0.623	0.491	---	0.022	0.059	0.031	0°
	Nom.	---	0.006	0.106	0.016	0.008	1.122	0.631	0.496	0.050	0.030	0.067	0.036	5°
	Max.	0.118	0.008	0.110	0.020	0.010	1.127	0.639	0.501	---	0.038	0.075	0.041	10°

Doc. Title: Package Outline for CSP 48BALL(6X8X1.3MM,BALL PITCH 0.8MM,BALL DIAMETER 0.4MM)

TOP VIEW



BOTTOM VIEW



Dimensions (inch dimensions are derived from the original mm dimensions)

SYMBOL		A	A1	A2	b	D	D1	E	E1	e
UNIT										
mm	Min.	---	0.25	0.65	0.35	5.90		7.90		
	Nom.	---	0.30	---	0.40	6.00	4.00	8.00	5.60	0.80
	Max.	1.30	0.35	---	0.45	6.10		8.10		
Inch	Min.	—	0.010	0.026	0.014	0.232		0.311		
	Nom.	—	0.012	—	0.016	0.236	0.157	0.315	0.220	0.031
	Max.	0.051	0.014	—	0.018	0.240		0.319		



REVISION HISTORY

Revision No.	Description	Page	Date
1.0	1. Removed "Preliminary" 2. Removed 90ns grade at Order Information 3. Modified Tbal spec from 50us to 40us 4. Modified typical chip programming time	P1 P1,18,42,43 P13,17 P41	NOV/17/2009
1.1	1. Added Tvcs, Toeh, Twp, Twph and Tghwl 2. Modified description wording for "RoHS Compliant"	P18,19,40 P1,42,43	NOV/21/2011
1.2	1. Modified 48-ball LFBGA package type	P1,3,42,43	JUL/05/2012
1.3	1. Added Trc, Tws & Twh values 2. Revised 48-TSOP & 44-SOP package outline 3. Format modification.	P18,28 P44,45 P44-46	DEC/13/2017



MACRONIX
INTERNATIONAL Co., LTD.

MX29F800C T/B

Except for customized products which has been expressly identified in the applicable agreement, Macronix's products are designed, developed, and/or manufactured for ordinary business, industrial, personal, and/or household applications only, and not for use in any applications which may, directly or indirectly, cause death, personal injury, or severe property damages. In the event Macronix products are used in contradicted to their target usage above, the buyer shall take any and all actions to ensure said Macronix's product qualified for its actual use in accordance with the applicable laws and regulations; and Macronix as well as it's suppliers and/or distributors shall be released from any and all liability arisen therefrom.

Copyright© Macronix International Co., Ltd. 2009~2017. All rights reserved, including the trademarks and tradename thereof, such as Macronix, MXIC, MXIC Logo, MX Logo, Integrated Solutions Provider, Nbit, Macronix NBit, eLiteFlash, HybridNVM, HybridFlash, HybridXFlash, XtraROM, Phines, KH Logo, BE-SONOS, KSMC, Kingtech, MXSMIO, Macronix vEE, Macronix MAP, Rich Book, Rich TV, OctaRAM, OctaBus, OctaFlash and FitCAM. The names and brands of third party referred thereto (if any) are for identification purposes only.

For the contact and order information, please visit Macronix's Web site at: <http://www.macronix.com>